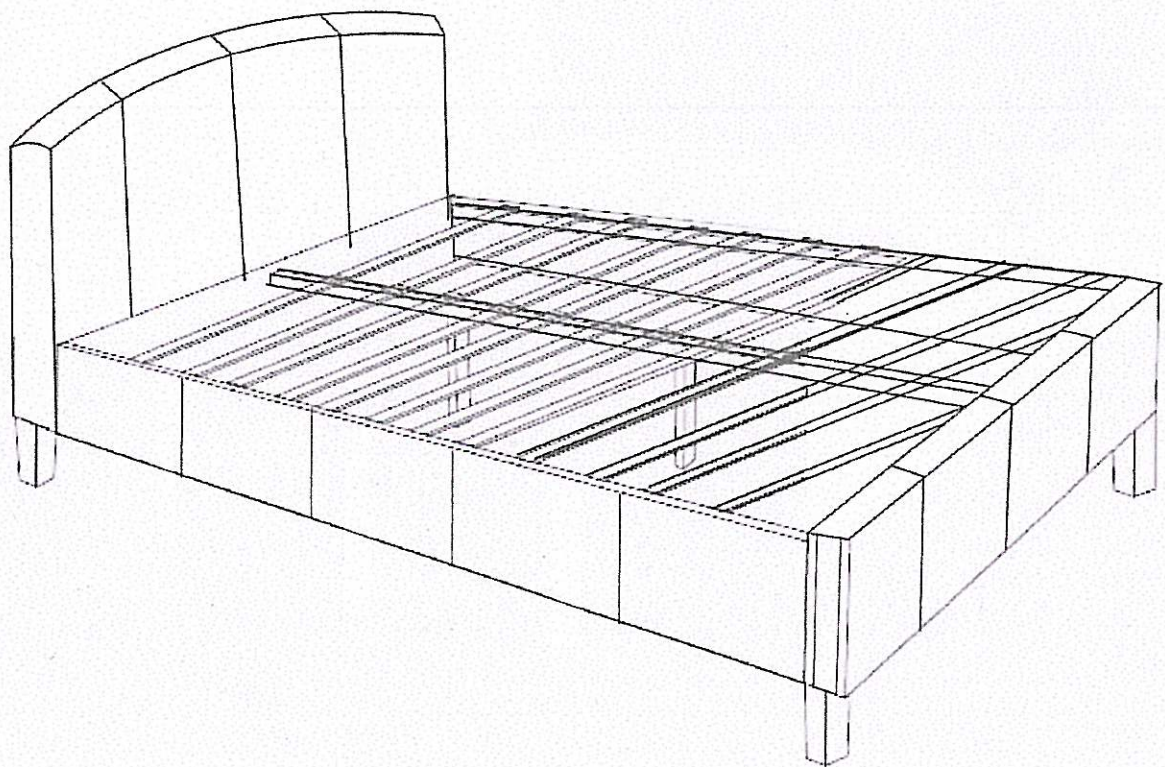


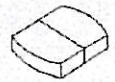
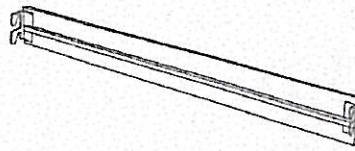
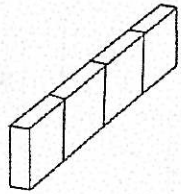
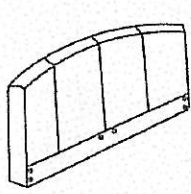
# ASSEMBLY INSTRUCTION





# Part list

- ① Headboard x 1pc ② Footboard x 1pc ③ Side Rail x 2pcs ④ Double Plastic Cap x 12pcs



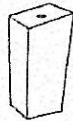
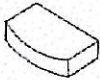
- ⑤ Centre Support Bar x 1pc

- ⑥ Support Leg x 2pcs

- ⑦ Slat x 24pcs



- ⑧ Single Plastic Cap x 24pcs ⑨ Feet x 4pcs

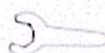


## Hardware list

- A Bolt M8\*25mm X12pcs B Bolt M8\*35mm X4pcs C Nut M8\*13mm X4pcs D Spring Washer X 8pcs

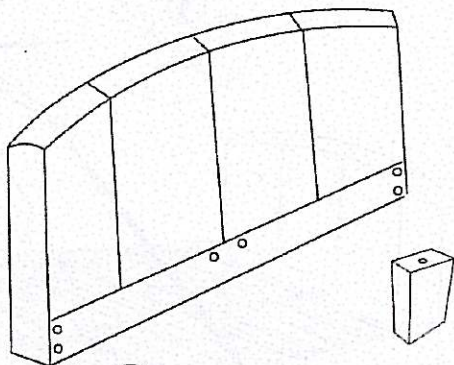


- E Flat Washer X 8pcs F Allen Key M5 X 1pc G Spanner X 1pc H Bolt M8\*50mm X 4pcs



## STEP 1 FIXING THE FEET TO THE HEADBOARD AND FOOTBOARD

①

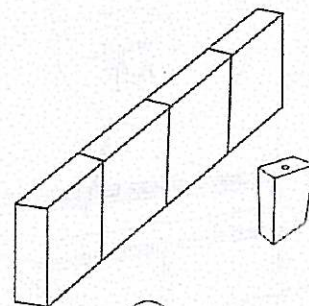


⑨

H

F

②



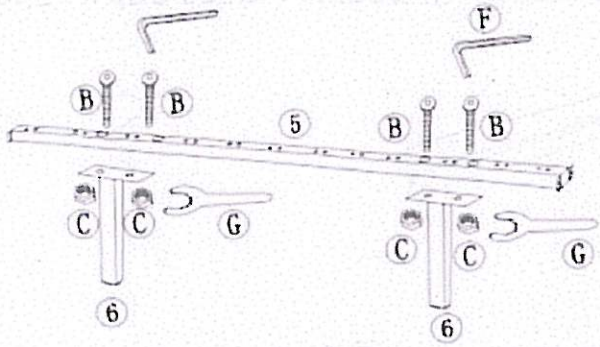
⑨

H

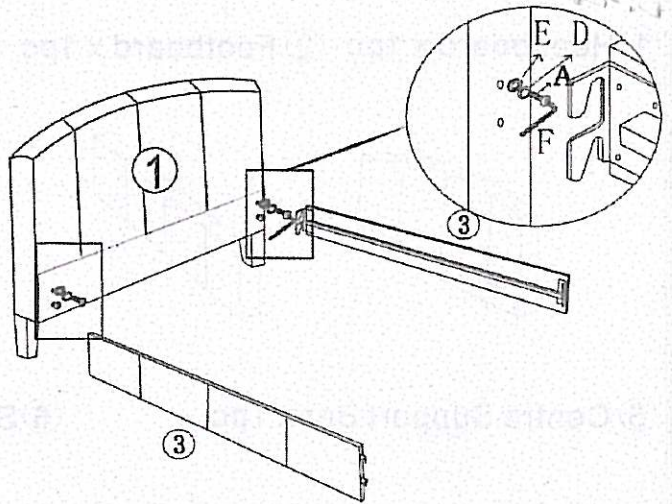
F



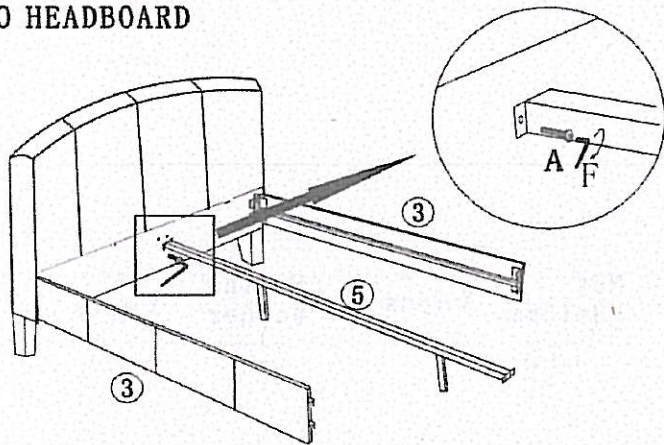
**STEP 2 FIXING SUPPORT LEGS TO CENTRE SUPPORT BAR**



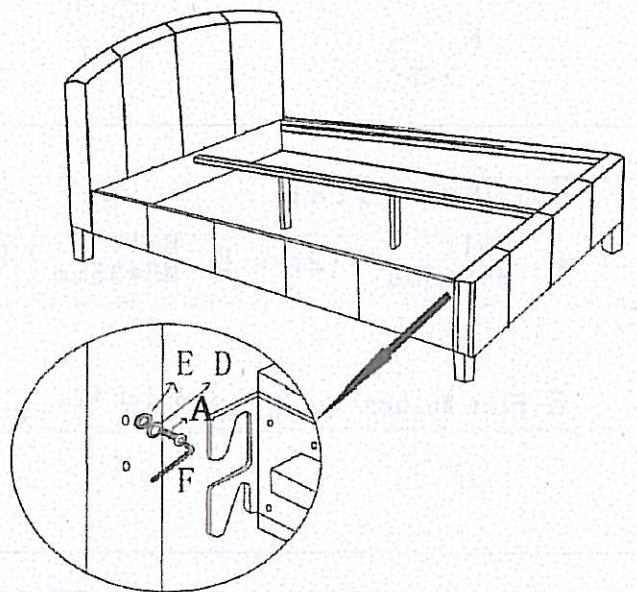
**STEP 3 FIXING SIDE RAILS TO HEADBOARD**



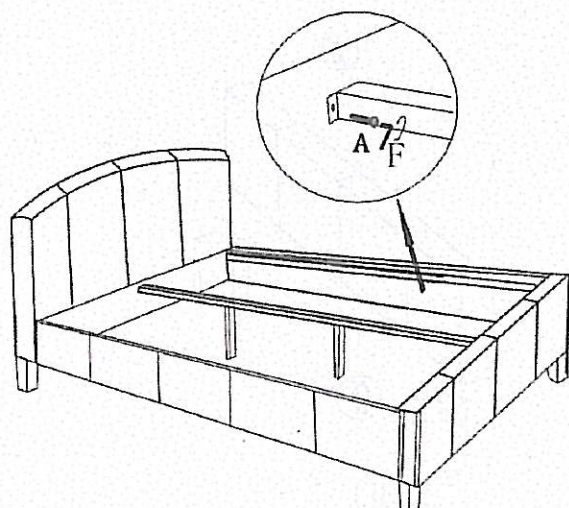
**STEP 4 FIXING CENTRE SUPPORT BAR TO HEADBOARD**



**STEP 5 FIXING SIDE RAILS TO FOOTBOARD**



**STEP 6 FIXING CENTRE SUPPORT BAR TO FOOTBOARD**



**STEP 7 FIXING PLASTIC CAPS AND SLATS.**

