

HARDWARE LIST

REF		HARDWARE NAME	QTY
A		M8x70 BOLT	40 PCS
B		M8 NUT	32 PCS
C		FLAT WASHER M6	40 PCS
D		SPRING WASHER M8	40 PCS
E			4 PCS
F		ALLEN KEY M8	1 PC
G		OPEN SPANNER #13	1 PC

PART LIST



(1)× 2 PCS



(2)× 2 PCS



(3)× 2 PCS



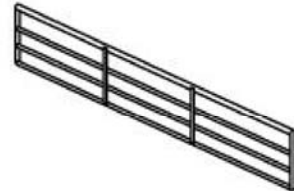
(4)× 2 PCS



(5)× 4 PCS



(6)× 1 PC



(7)× 2 PCS

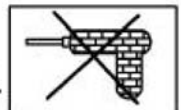


(8)× 1 PC

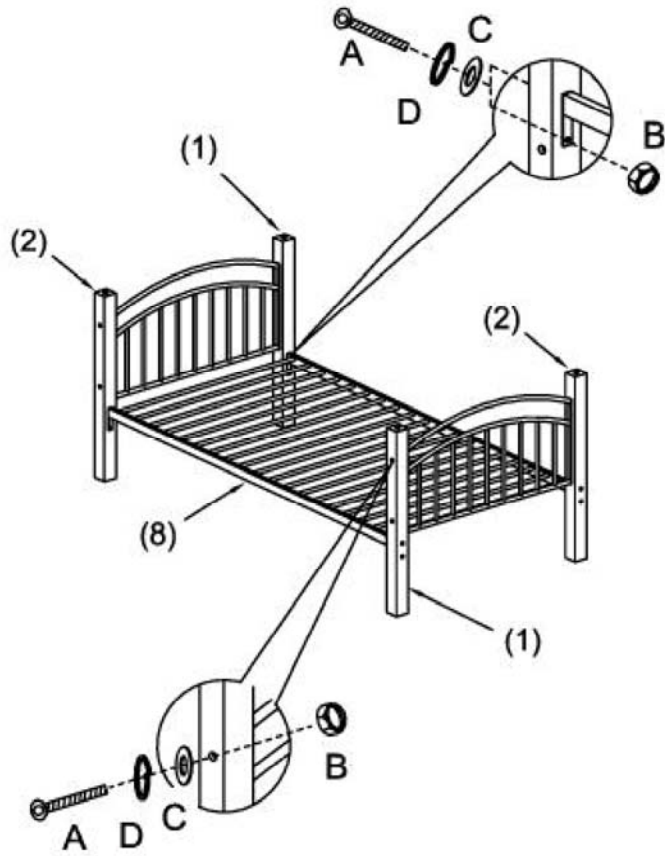


(9)× 1 PC

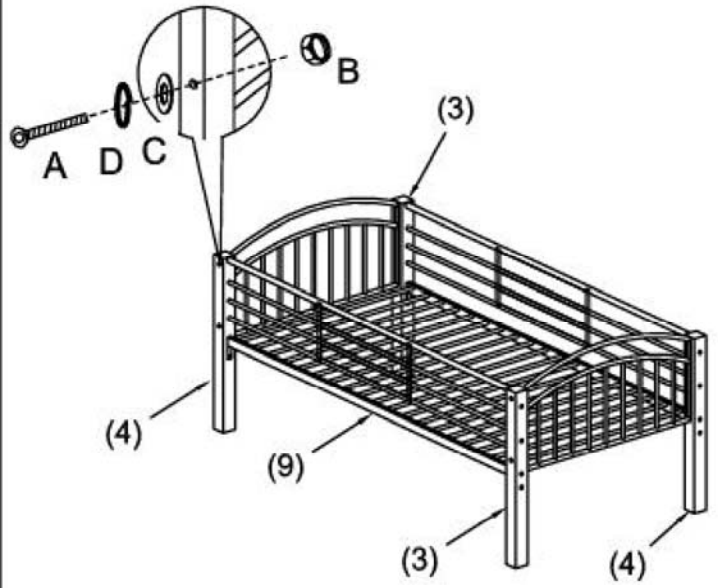
USE OF POWER TOOLS TO ASSEMBLE THIS PRODUCT WILL INVALIDATE ANY CLAIM AND MAY DAMAGE THIS PRODUCT MAKING IT UNSAFE.



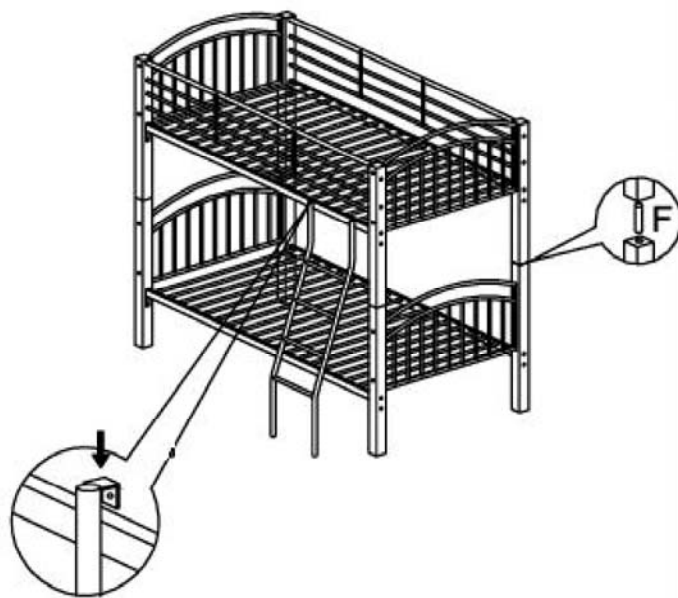
STEP 1



STEP 2



STEP 3



FULLY SETUP



USE OF POWER TOOLS TO ASSEMBLE THIS PRODUCT WILL INVALIDATE ANY CLAIM AND MAY DAMAGE THIS PRODUCT MAKING IT UNSAFE.

