







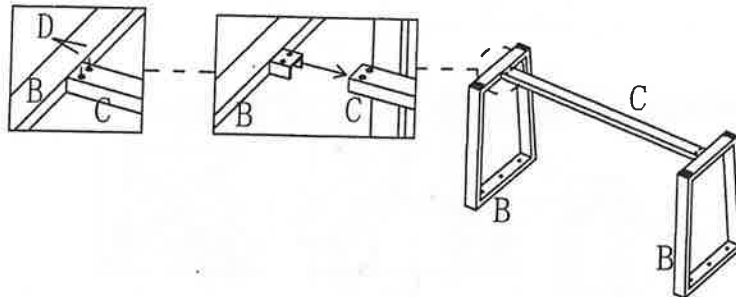


Assembly Sheet

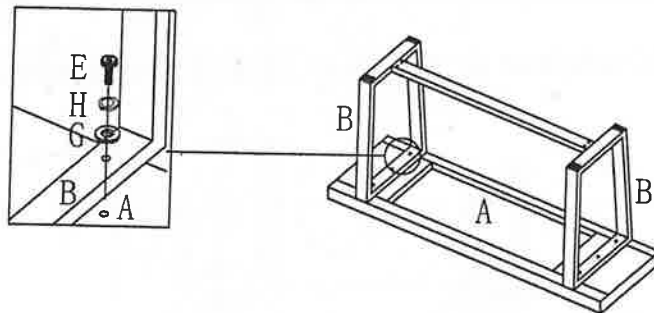
T-3550 BENCH

NO.	Illustration	Description	QTY/QTE	NO.	Illustration	Description	QTY/QTE
A		shelf	1	B		legs	2
C		cross brace	1	D		screw M6*12	4
E		screw M6*35	6	F		aleen key	1
G		M6 flat washer	6	H		M6 spring washer	6

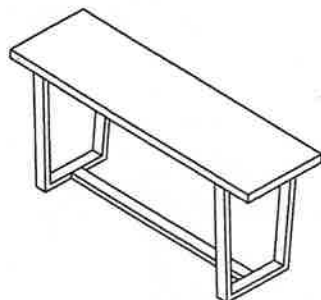
① insert the 2 pcs cross brace(C) to the legs(B) tighten with screw D



② attached the shelf(A) to the legs(B) with screw E and washer G&H



③

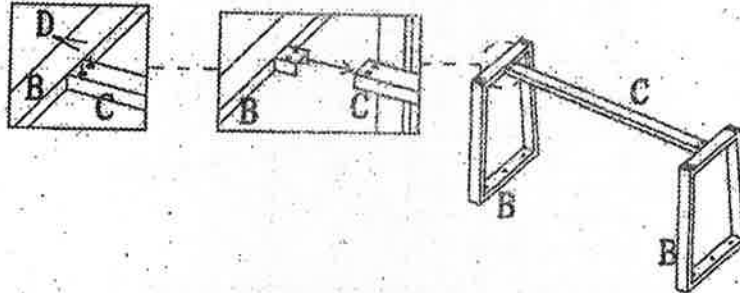


Feuille D'assemblage

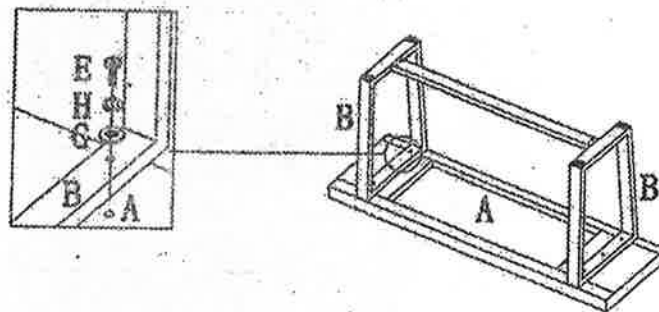
T-3550 BANC

NO.	Illustration	Description	QTY/QTE	NO.	Illustration	Description	QTY/QTE
A		Étagère	1	B			2
C		cross brace	1	D		Vis M6*12	4
E		Vis M6*35	6	F		clé Allen	1
G			6	H			6

① Insérer les 2 crochets (C) aux pieds (B) serrer avec les vis D



② Attachez l'étagère (A) aux pieds (B) avec la vis E et la rondelle G&H



③

