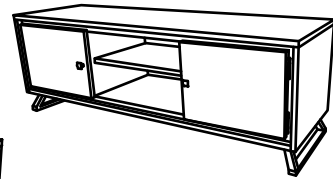


Assembly Sheet

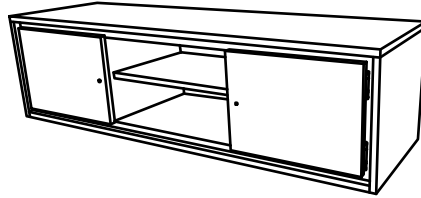
T-730(YD-QF-12)

Parts List

NO	Components	QTY
01	cabinet	1
02	leg	2



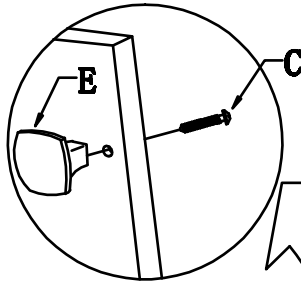
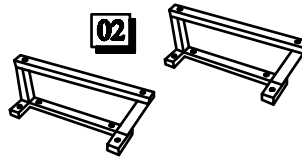
01



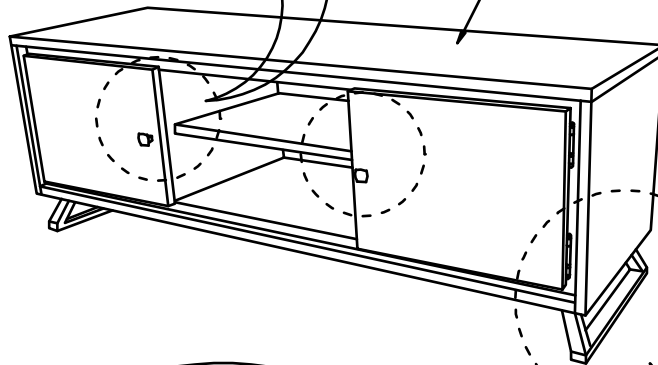
Hardware list

A		C	
M6 x 30MM	8 PCS	M4 x 25MM	2 PCS
B		D	
M6 adjustable leg	4 PCS	4 x 4MM	1 PCS
		E	
		handle	4MM
			2 PCS

02



01



A	
M6 x 12MM	8 PCS
B	
M6 adjustable leg	4 PCS
C	
M4 x 25MM	2 PCS
E	
handle	4MM
	2 PCS

