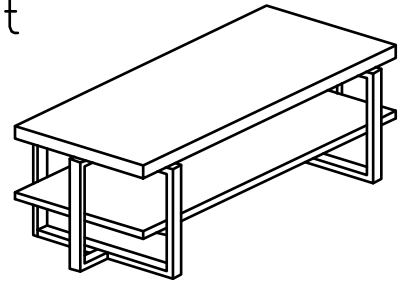
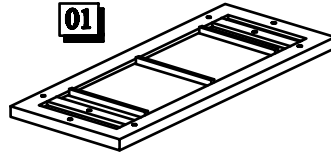


Assembly Sheet

T-5045 (YD-QF-16)

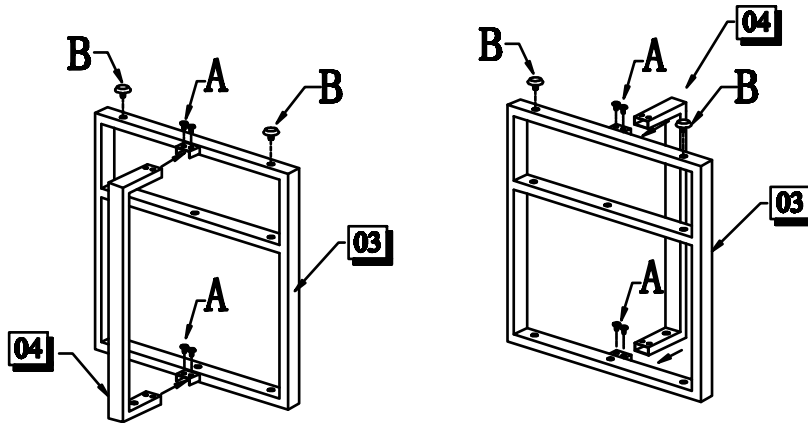
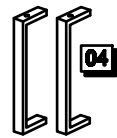
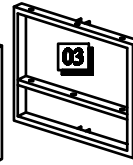
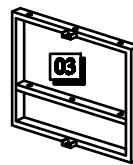
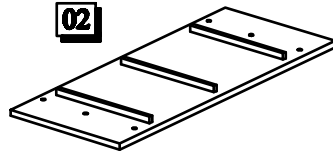
Parts List

NO	Components	QTY
01	top panel	1
02	shelf	1
03	side frame	2
04	metal rail	2



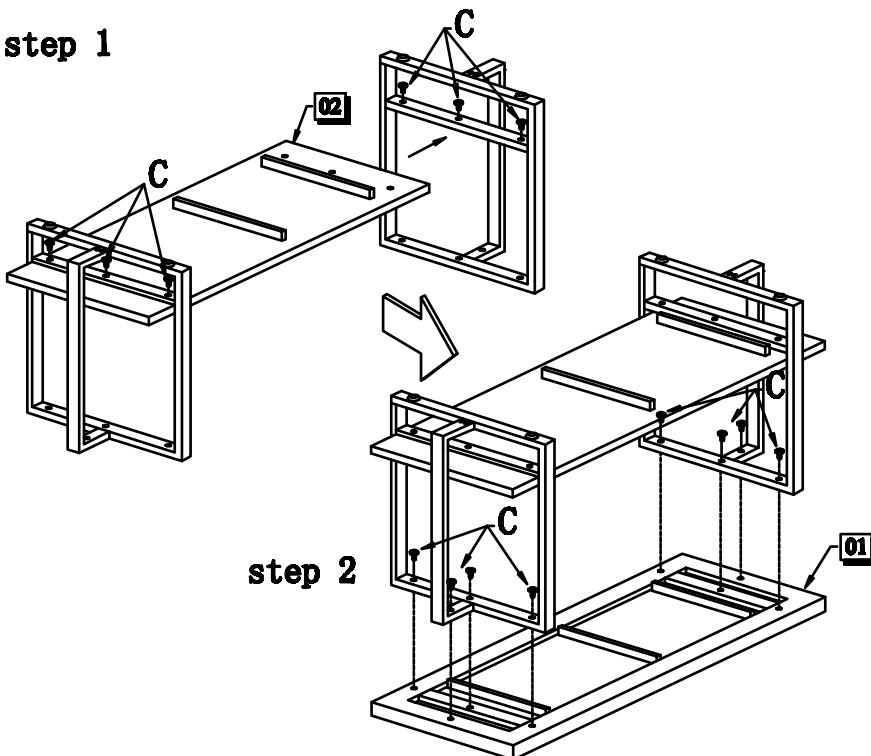
Hardware list

A		C	
M6 x 12MM	8 PCS	M6 x 30MM	14 PCS
B		D	
M6 adjustable leg	4 PCS	4 x 4MM	1 PCS



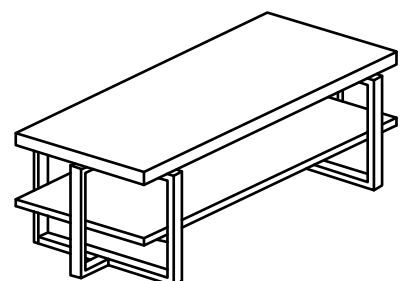
A		M6 x 12MM	8 PCS
B		M6 adjustable leg	4 PCS

step 1



C		M6 x 30MM	14 PCS
----------	--	-----------	--------

step 2




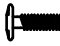


Assembly Sheet

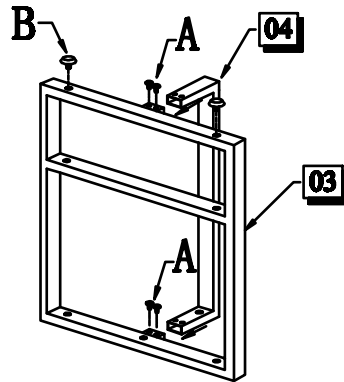
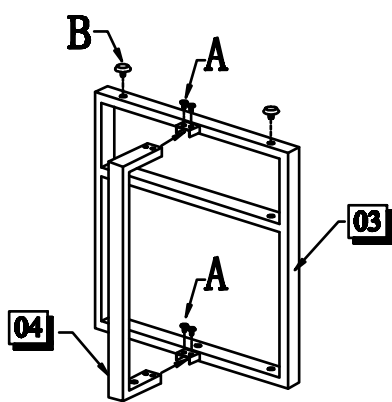
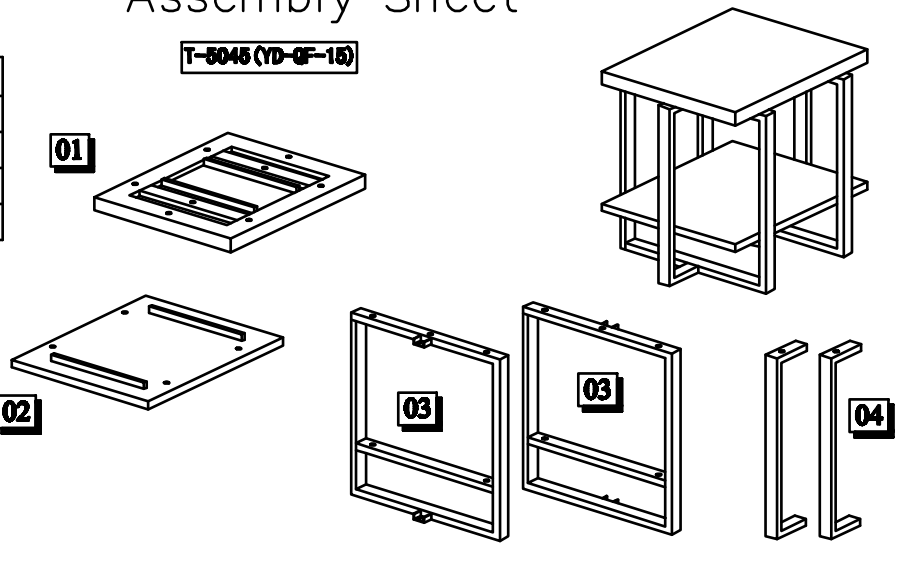
T-5045 (YD-QF-15)

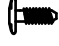

Parts List

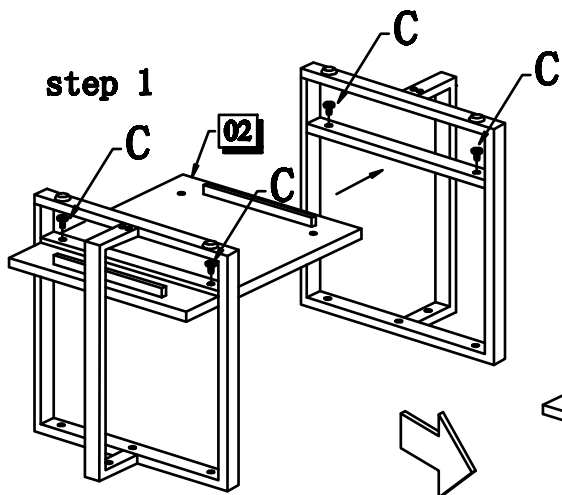
NO	Components	QTY
01	top panel	1
02	shelf	1
03	side frame	2
04	metal rail	2

Hardware list

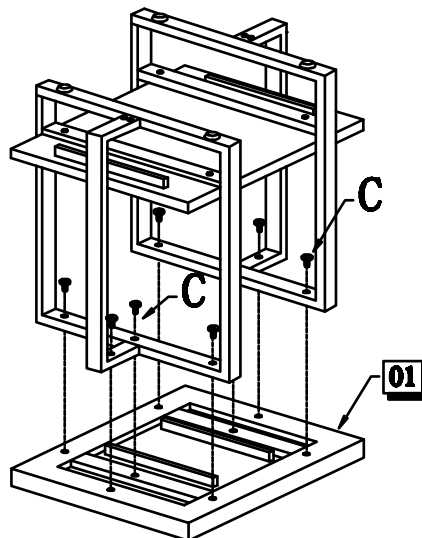
A		C	
M6 x 12MM	8 PCS	M6 x 30MM	12 PCS
B		D	
M6 adjustable leg	4 PCS	4 x 4MM	1 PCS

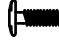


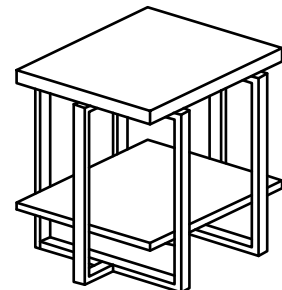
A		M6 x 12MM	8 PCS
B		M6 adjustable leg	4 PCS



step 2



C		M6 x 30MM	12 PCS
---	---	-----------	--------




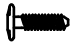


Assembly Sheet

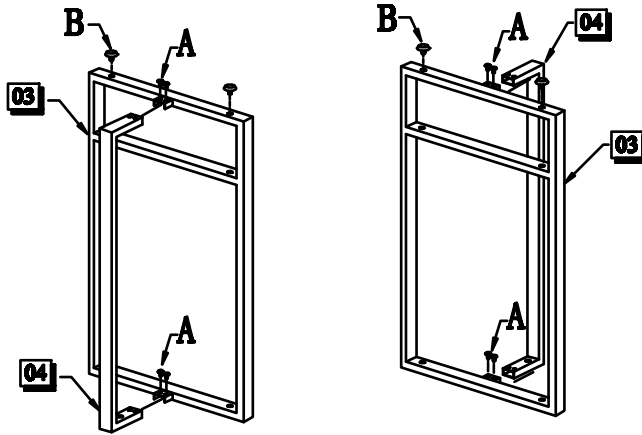
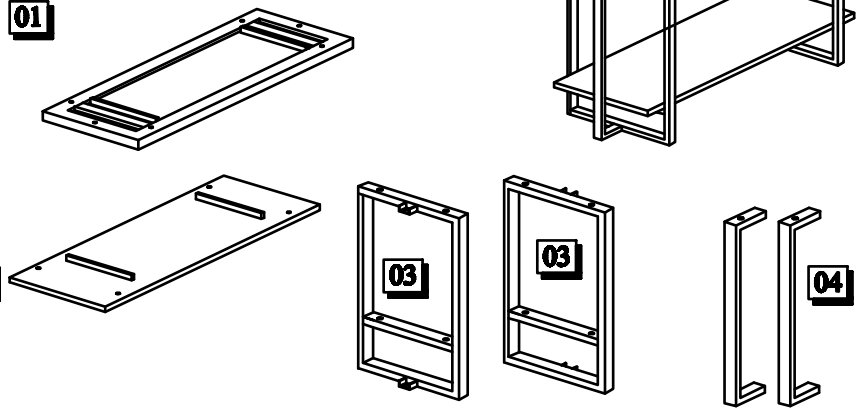
T-5018(YD-QF-14)



Parts List

NO	Components	QTY
01	top panel	1
02	shelf	1
03	side frame	2
04	metal rail	2

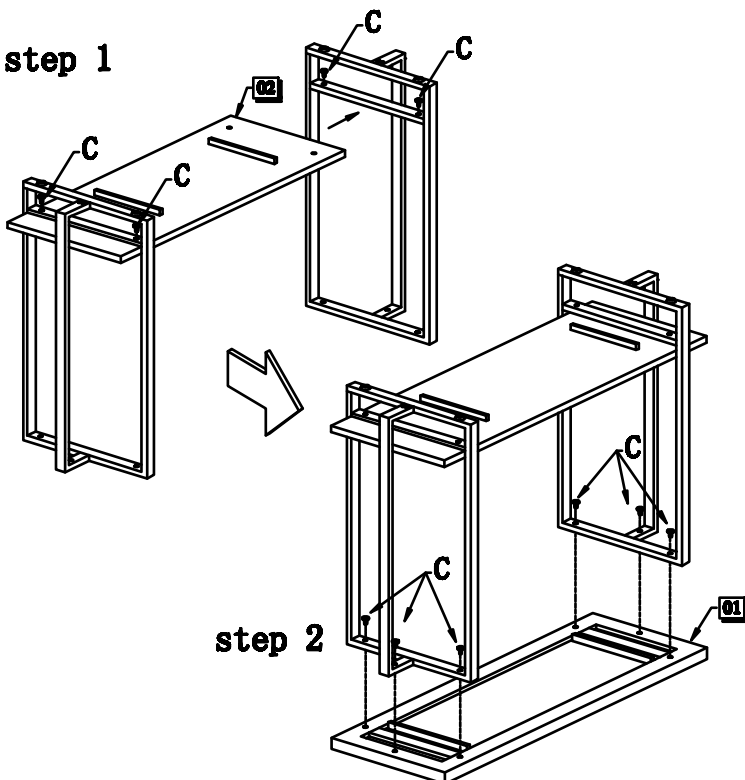
Hardware list

A		C	
M6 x 12MM	8 PCS	M6 x 30MM	10 PCS
B		D	
M6 adjustable leg	4 PCS	4 x 4MM	1 PCS

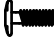


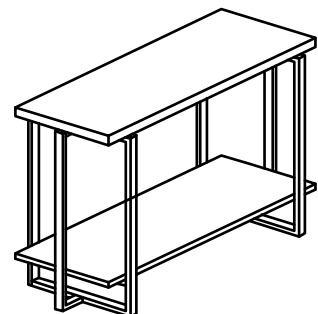
A	
M6 x 12MM	8 PCS
B	
M6 adjustable leg	4 PCS

step 1



step 2

C	
M6 x 30MM	10 PCS

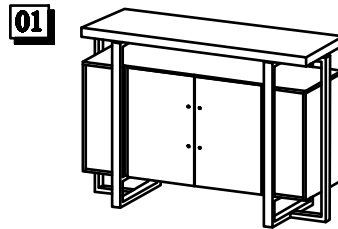
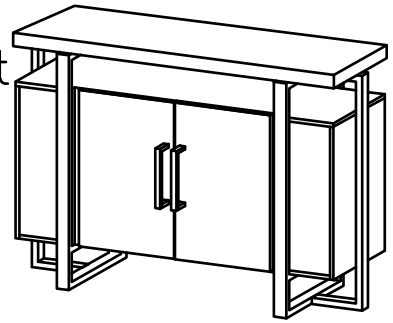


Parts List

NO	Components	QTY
01	cabinet	1
02	handle	2

Assembly Sheet

T-9710



Hardware list



M6 x 35MM 4 PCS



4 PCS



4 x 4MM 1 PCS

02



M6 x 35MM 4 PCS



4 PCS

M6 adjustable leg

