

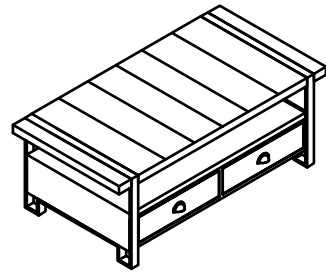
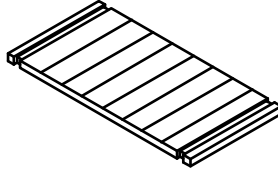
# Assembly Sheet

## Parts List


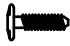




| NO | Components | QTY |
|----|------------|-----|
| 01 | shelf      | 1   |
| 02 | drawer     | 1   |
| 03 | leg        | 2   |

T-5047(YD-QF-20)

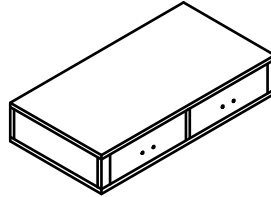
01



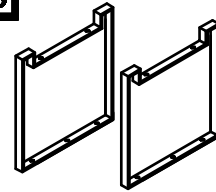
## Hardware list

|   |   |   |
|---|---|---|
| A  | C  | E  |
| M6 x 20MM 6 PCS   | M6 x 30MM 6 PCS   | M4 x 12MM 4 PCS   |
| B  | D  | F  |
| 25#35 plastic caps 4 PCS  | handle 2 PCS  | 4 x 4MM 1 PCS   |

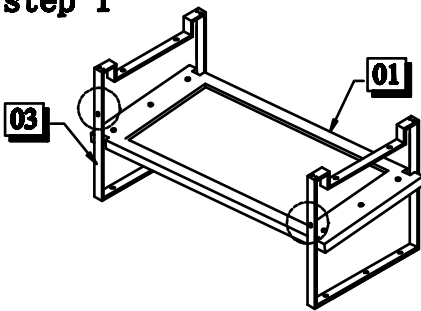
02



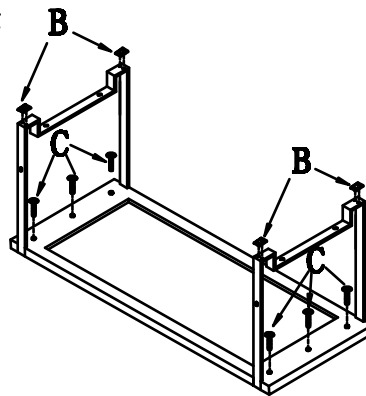
03





step 1

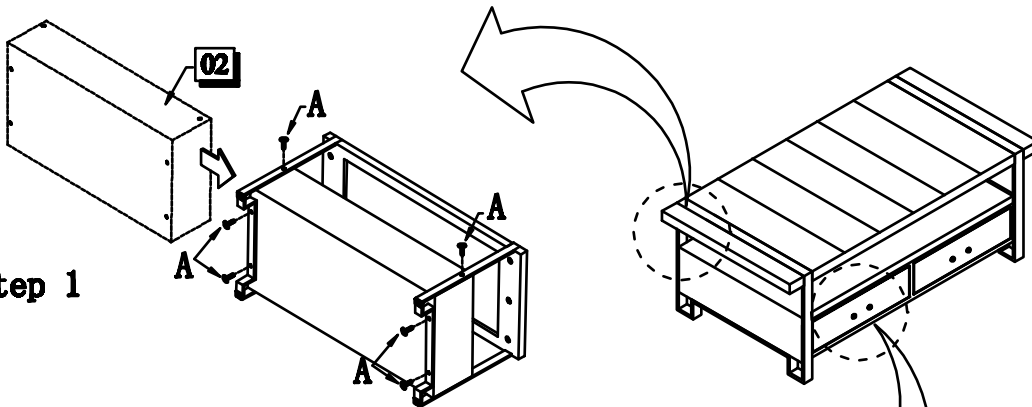


step 2

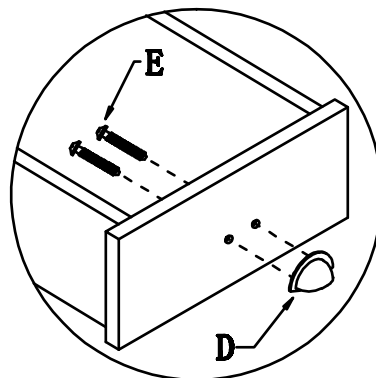





|  |       |
|--|-------|
| B   | 4 PCS |
| 25#35 plastic caps   |       |
| C  | 6 PCS |
| M6 x 30MM  |       |

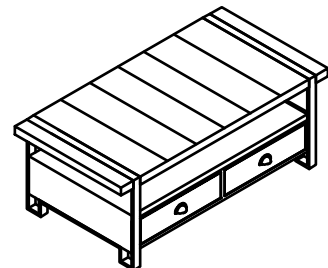
step 1



step 2



|   |       |
|---|-------|
| A  | 6 PCS |
| M6 x 20MM   |       |
| D  | 2 PCS |
| handle  |       |
| E  | 4 PCS |
| M4 x 12MM   |       |









# Assembly Sheet

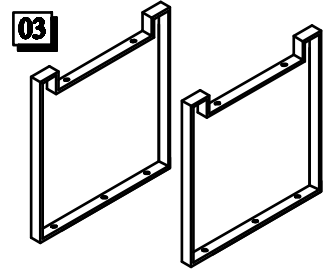
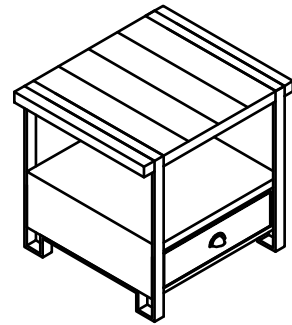
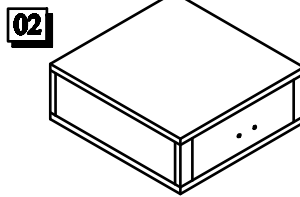
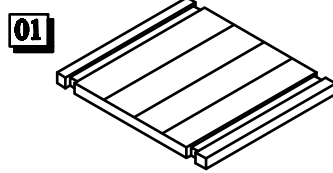
T-5047(YD-QF-17)

## Parts List

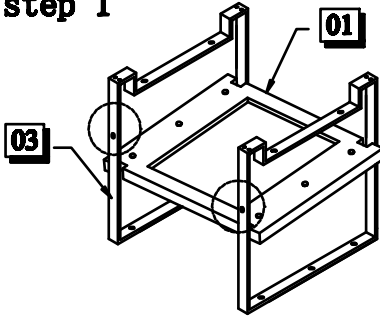
| NO | Components | QTY |
|----|------------|-----|
| 01 | shelf      | 1   |
| 02 | drawer     | 1   |
| 03 | leg        | 2   |

## Hardware list

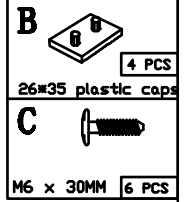
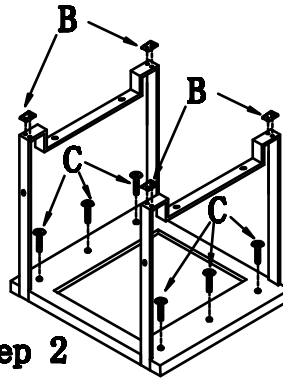
|   |   |   |
|---|---|---|
| A  | C  | E  |
| M6 x 20MM 6 PCS   | M6 x 30MM 6 PCS   | M4 x 12MM 2 PCS   |
| B  | D  | F  |
| 26#35 plastic caps 4 PCS  | handle 1 PCS  | 4 x 4MM 1 PCS   |



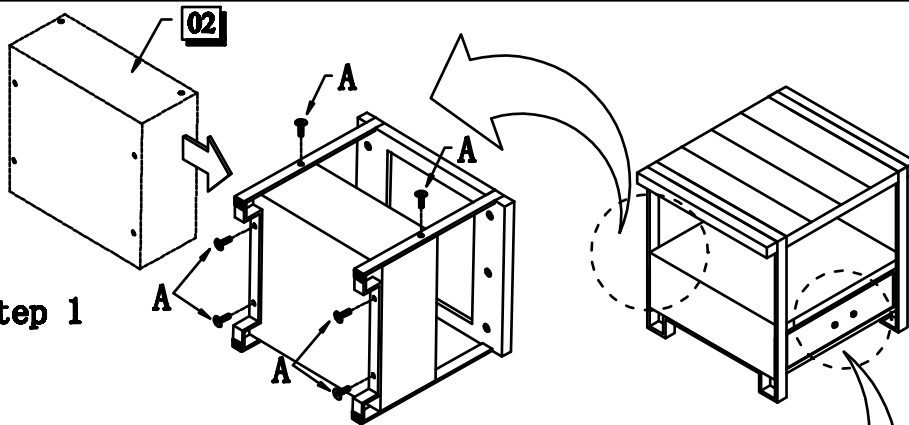
step 1



step 2



step 1



step 2

