

ASSEMBLY INSTRUCTION


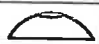




ITEM# T-5065 3PC COFFEE TABLE TABLE SET (LINDA 2 LAYER - 1 COFFEE TABLE)

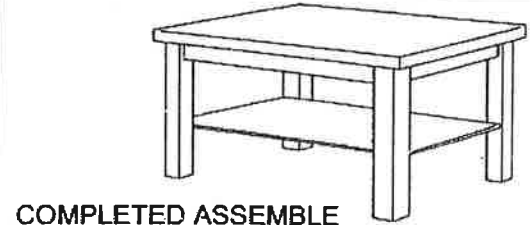
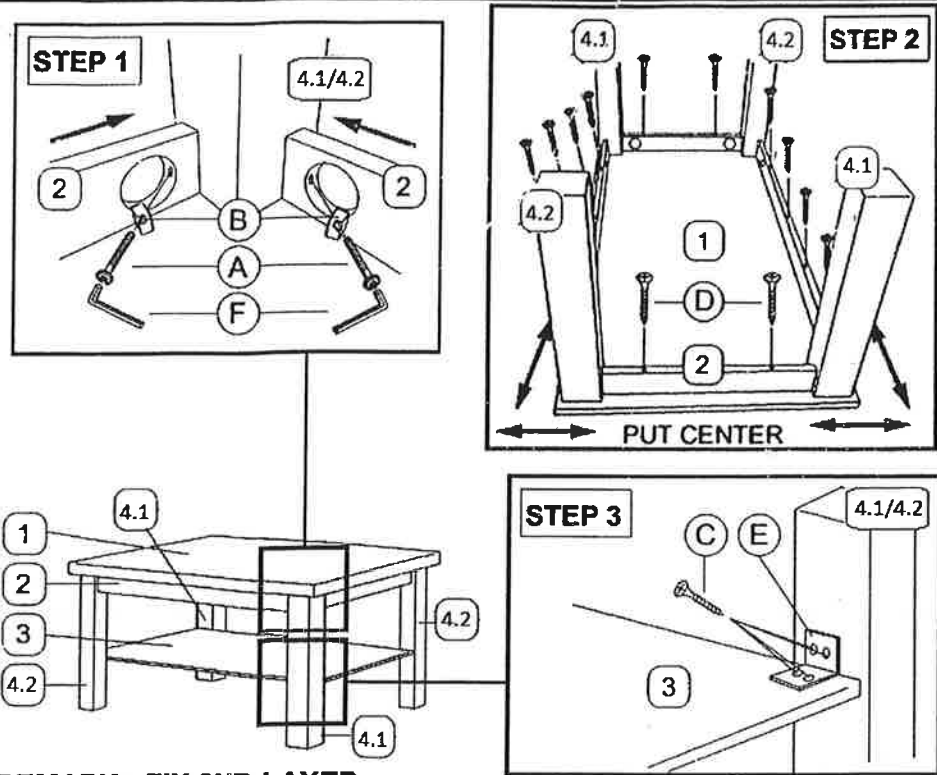
Important note: - Place all wooden part on a clean and smooth surface such as rug or carpet to avoid the part from being scratch.
 - Please follow the assembly instruction step by step.
 - Do not tighten all screw until the table is fully set-up.

Part List 1pc

No	DESCRIPTION	QTY.
1	Table Top	1 pc
2	Table Apron	4 pcs
3	Table Bottom Panel	1 pc
4.1	Table Leg	2 pcs
4.2	Table Leg	2 pcs

Hardware List 1pc

No	DESCRIPTION	QTY.
A	JCBC M6 x 50mm 	8 pcs
B	Half Round Washer 	8 pcs
C	CSK M3.5 x 12mm 	16 pcs
D	CSK M4 x 32mm 	12 pcs
E	L - Bracket 	4 pcs
F	M4 Allen Key 	1 pc



**REMARK : FIX 2ND LAYER
 PANEL ABOVE THE MARKING ON LEG**

ASSEMBLY INSTRUCTION







ITEM# T-5065 3PC COFFEE TABLE TABLE SET (LINDA 2 LAYER - 2 END TABLE)

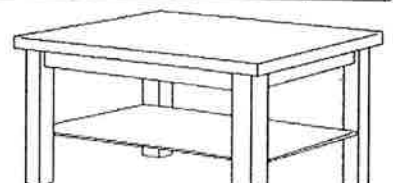
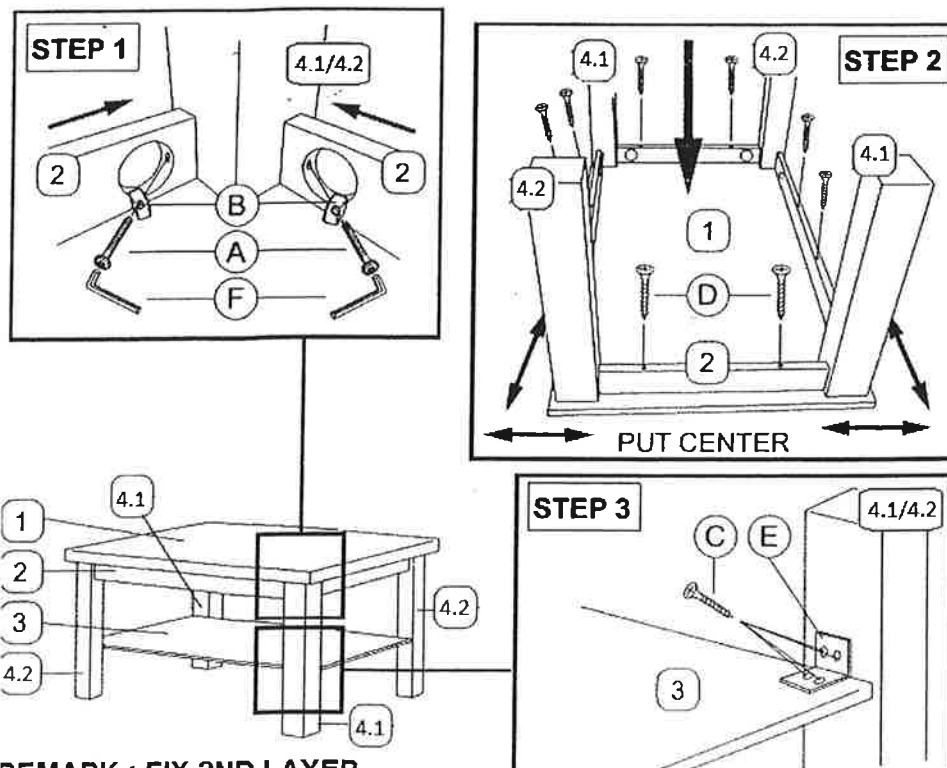
Important note: - Place all wooden part on a clean and smooth surface such as rug or carpet to avoid the part from being scratch.
 - Please follow the assembly instruction step by step.
 - Do not tighten all screw until the table is fully set-up.

Part List 2pcs

No	DESCRIPTION	QTY.
1	Table Top	2 pc
2	Table Apron	8 pcs
3	Table Bottom Panel	2 pc
4.1	Table Leg	4 pcs
4.2	Table Leg	4 pcs

Hardware List 2pcs

No	DESCRIPTION	QTY.
A	JCBC M6 x 50mm 	16 pcs
B	Half Round Washer 	16 pcs
C	CSK M3.5 x 12mm 	32 pcs
D	CSK M4 x 32mm 	16 pcs
E	L - Bracket 	8 pcs
F	M4 Allen Key 	1 pc



REMARK : FIX 2ND LAYER