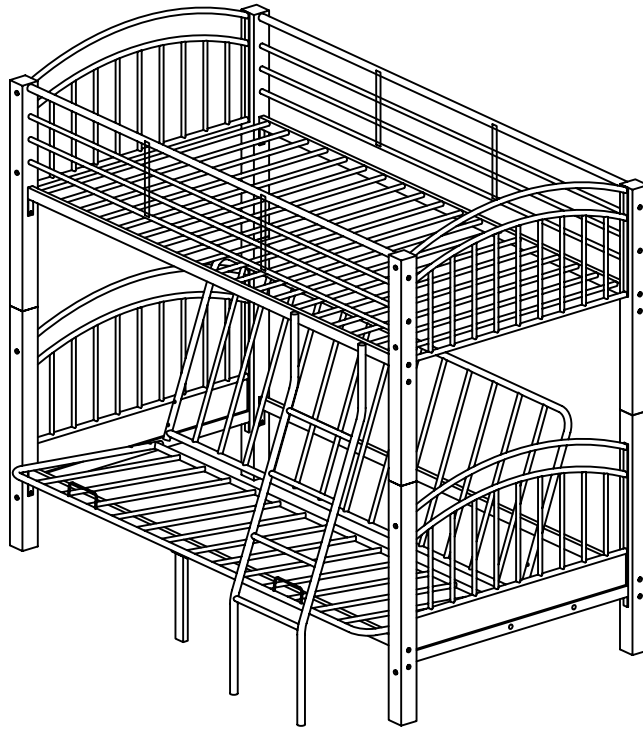


ASSEMBLY INSTRUCTIONS



IMPORTANT

PLEASE READ BEFORE YOU CONTINUE FURTHER

THE PRODUCT YOU HAVE PURCHASED WILL GIVE YOU MANY YEARS OF SERVICE IF YOU FOLLOW THE GUIDELINES FOR ITS SAFE ASSEMBLY AND PERIODIC MAINTENANCE AND CLEANING.

DEPENDING ON THE AMOUNT OF USE THIS PRODUCT RECEIVES IT MAY BE NECESSARY TO TIGHTEN UP THE FIXNGS FROM TIME TO TIME .THIS IS COMPLETELY NORMAL FOR ANY FLAT PACK FURNITURE

FOR CLEANING USE A DAMP CLOTH (NOT WET).DRY DUSTER AND NORMAL FURNITURE POLISH.

ALL ASSEMBLY FASTENINGS SHOULD ALWAYS BE TIGHTENED PROPERLY AND THAT CARE SHOULD BE TAKEN THAT NO FITTINGS ARE LOOSE.

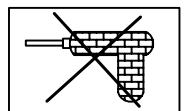
THE UPPER BED OF BUNK BEDS ARE NOT SUITABLE FOR CHILDREN UNDER SIX YEARS DUE TO THE RISK OF INJURY FROM FALLS.

THIS ITEM NOT RECOMMENDED FOR COMMERCIAL USE,KEEP THIS DOCUMENT FOR REFERENCE IN CASE PARTS ARE NEEDED


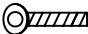


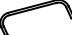



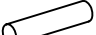


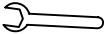
DO NOT TIGHTEN SCREWS UNTIL COMPLETELY ASSEMBLED!

HARDWARE PACK ATTACHED IN THE PACKAGE IN RED PLASTIC BAG

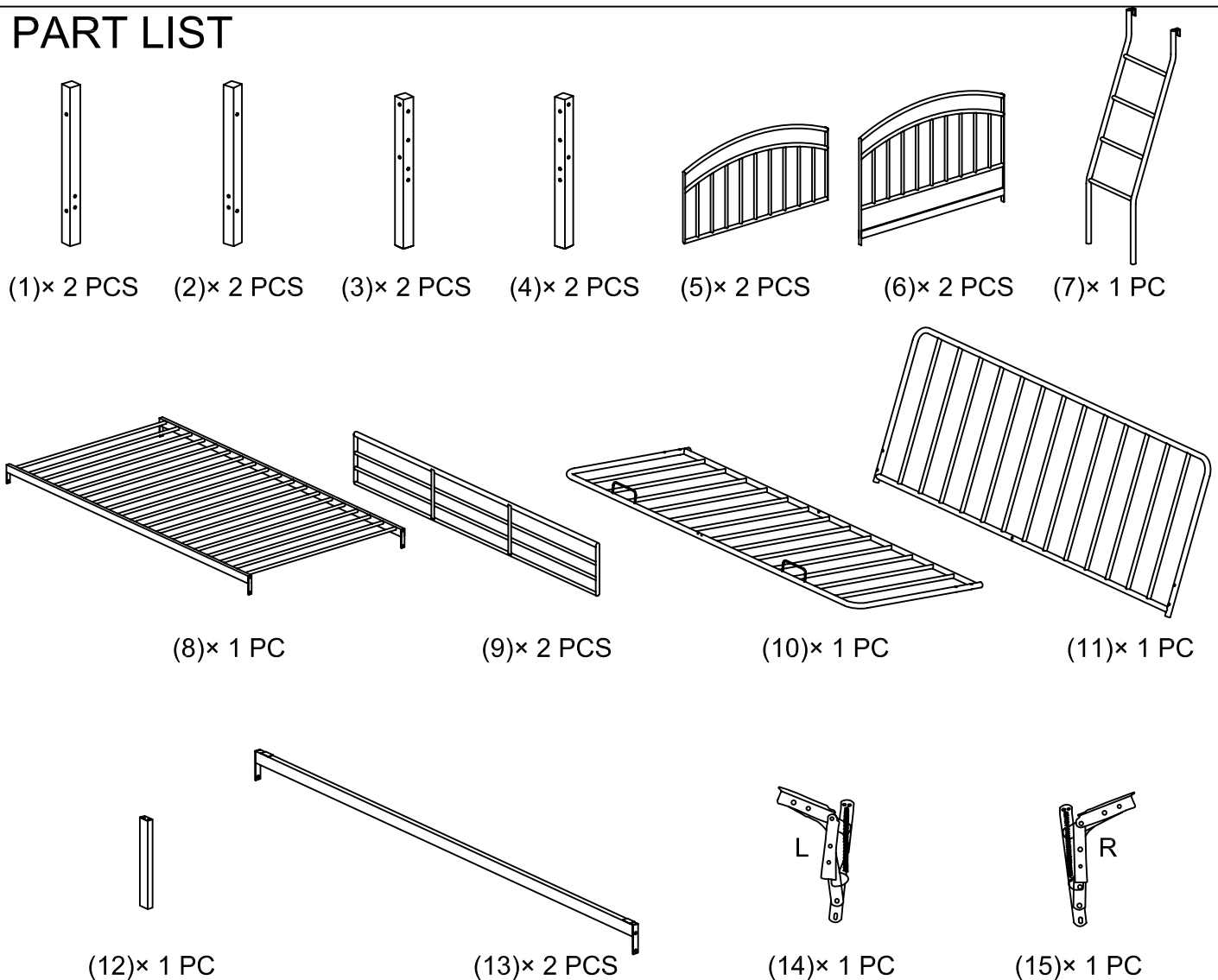
USE OF POWER TOOLS TO ASSEMBLE THIS PRODUCT WILL INVALID-
ATE ANY CLAIM AND MAY DAMAGE THIS PRODUCT MAKING IT UNSAFE.



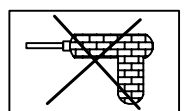
HARDWARE LIST

REF		HARDWARE NAME	QTY
A		M8×65BOLT	40 PCS
B		M6×45 BOLT	2 PCS
C		M8×40 BOLT	12 PCS
D		M8 NUT	44 PCS
E		HOOK	1 PC
F		FLAT WASHER M6	44 PCS
G		SPRING WASHER M8	40 PCS
H		CURVE WASHER M8	8 PCS
I			4 PCS
J		ALLEN KEY M5	1 PC
K		ALLEN KEY M4	1 PC
L		OPEN SPANNER #13	1 PC

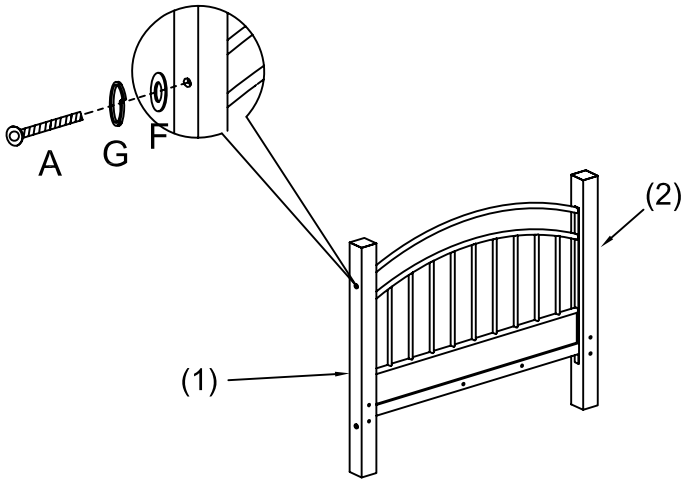
PART LIST



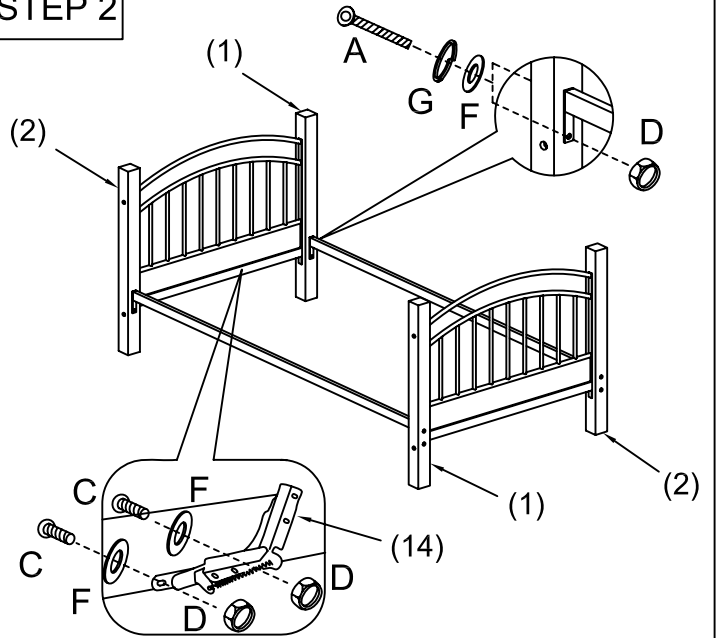
USE OF POWER TOOLS TO ASSEMBLE THIS PRODUCT WILL INVALIDATE ANY CLAIM AND MAY DAMAGE THIS PRODUCT MAKING IT UNSAFE.



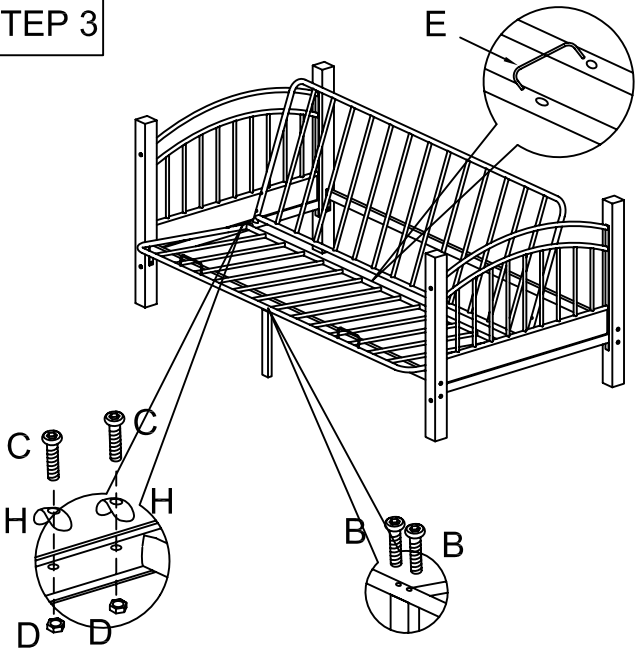
STEP 1



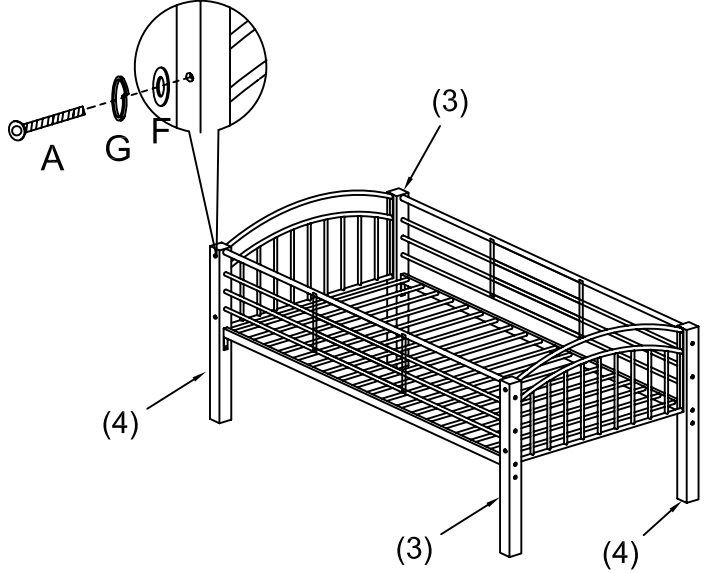
STEP 2



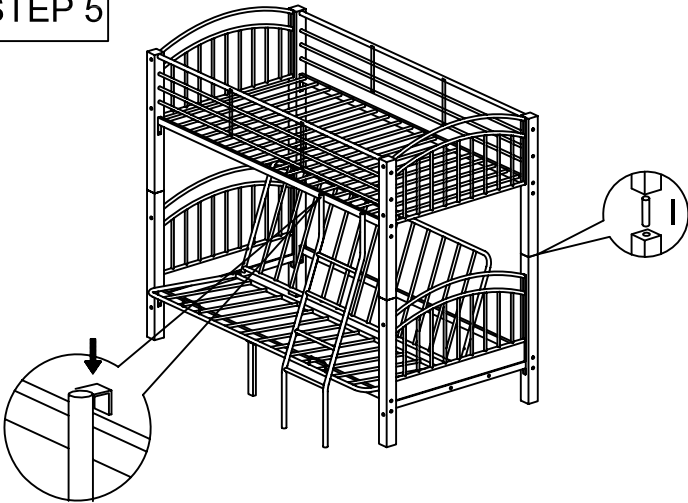
STEP 3



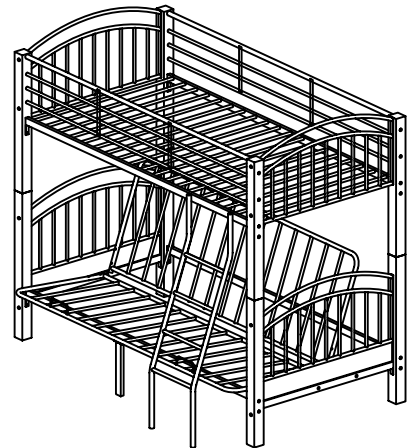
STEP 4



STEP 5



FULLY SETUP



USE OF POWER TOOLS TO ASSEMBLE THIS PRODUCT WILL INVALIDATE ANY CLAIM AND MAY DAMAGE THIS PRODUCT MAKING IT UNSAFE.

