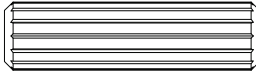
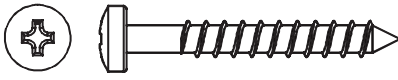
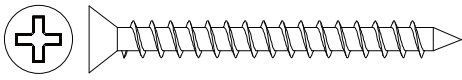
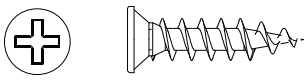
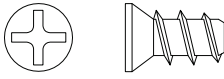
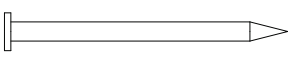


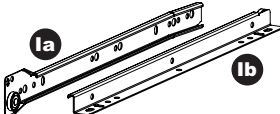
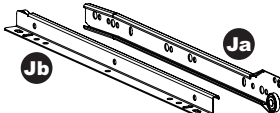
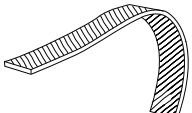
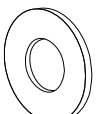
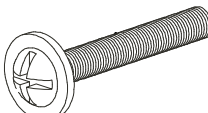
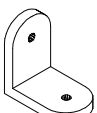
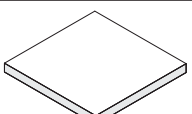
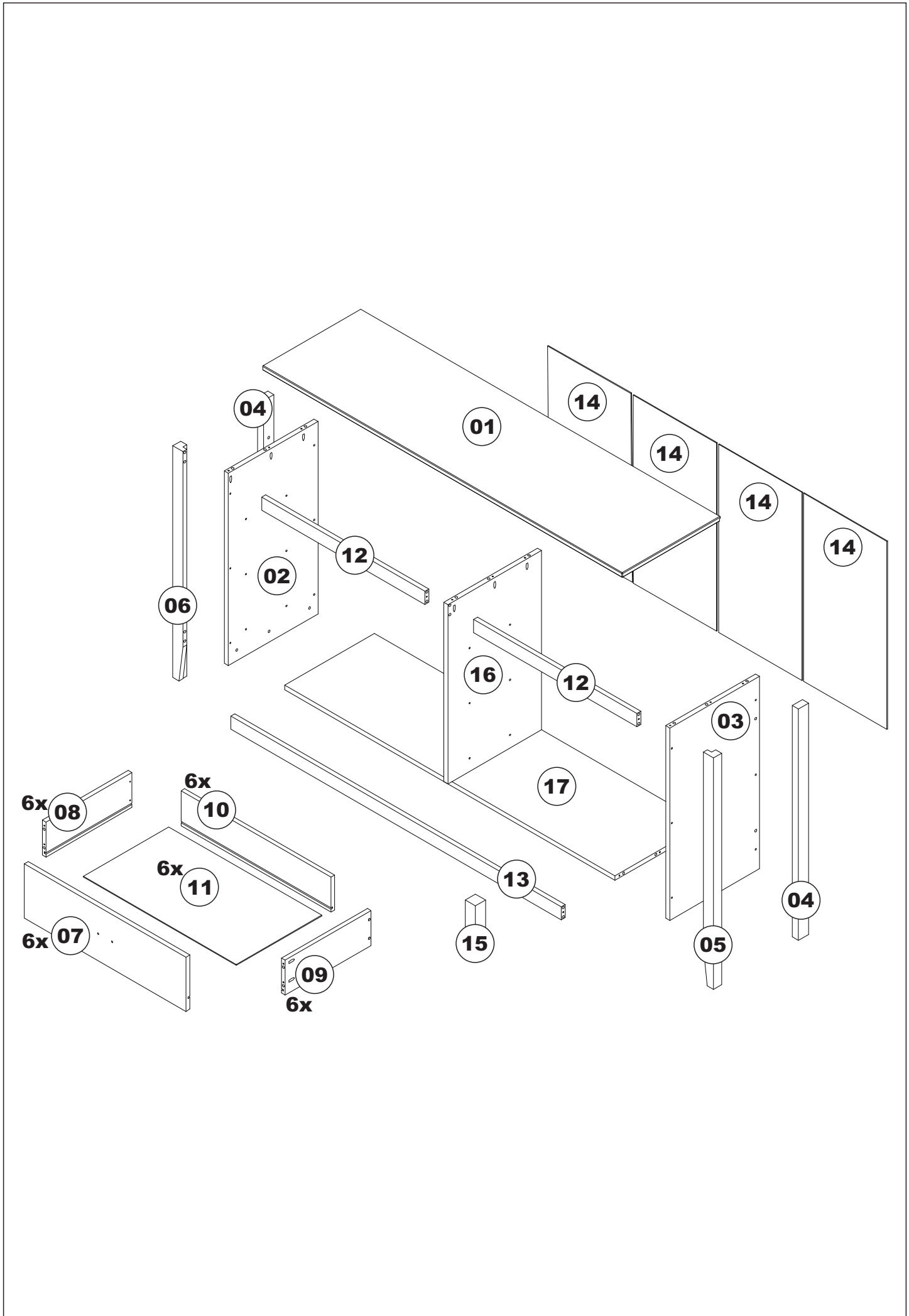


6 DRAWER DRESSER

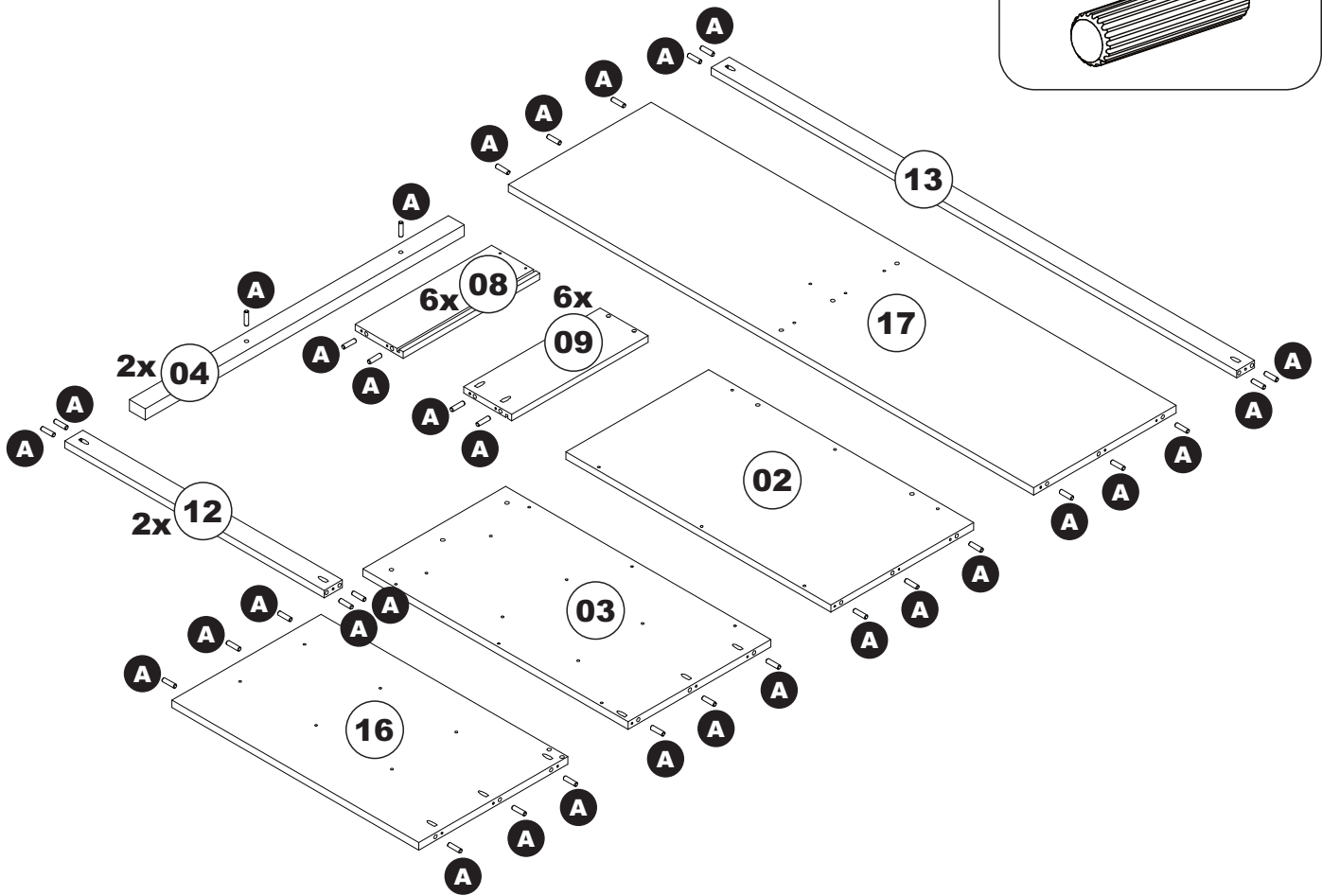
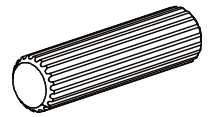


A	58		8x30mm
B	81		4,0x30mm
C	4		4,0x40mm
D	51		3,5x14mm
E	24		6,0x10mm
F	44		
G	6		
H	3		
I	6		
J	6		
K	1		
L	2		
M	12		M4x18mm
N	1		
O	5		



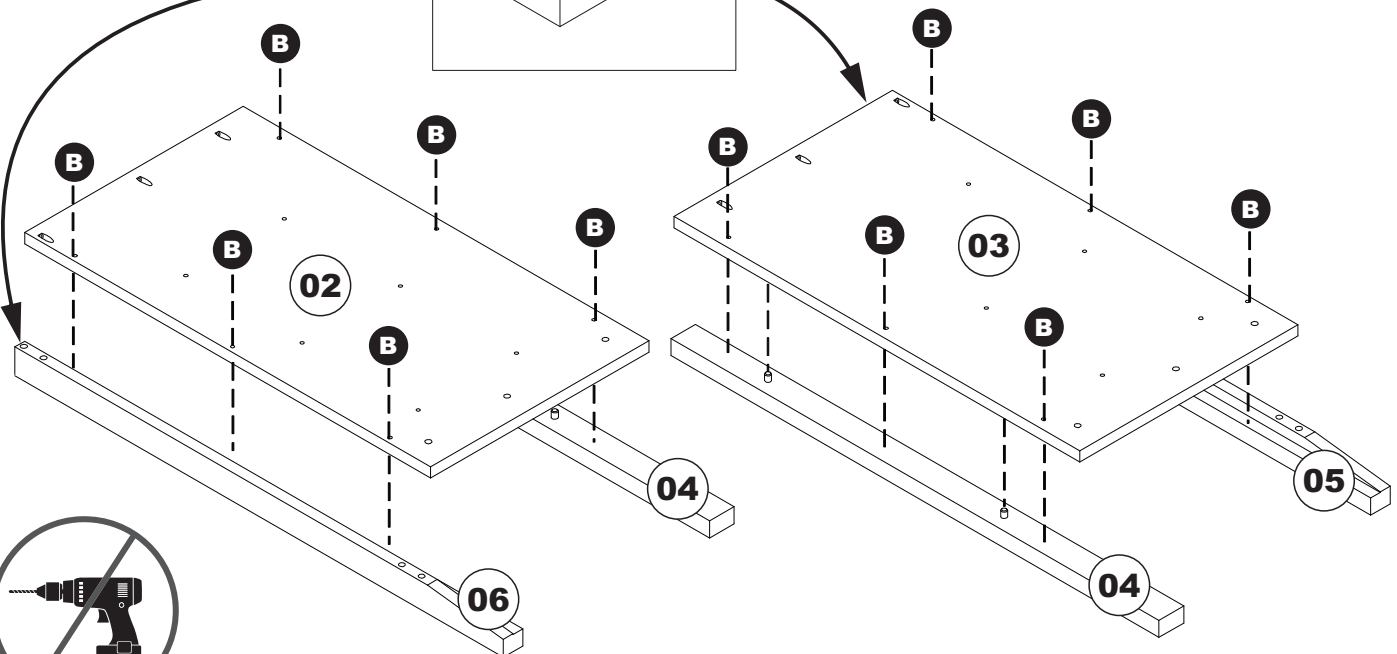
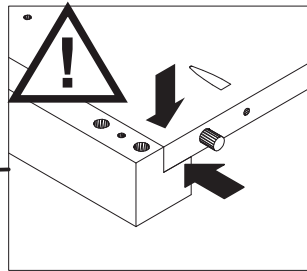
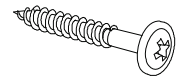
1)

A - 8x30mm - 58x



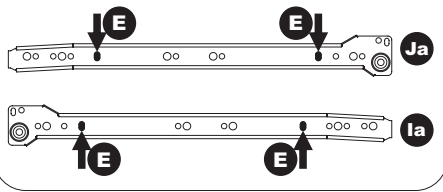
2)

B - 4,0x30mm - 12x

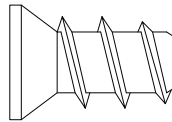


3)

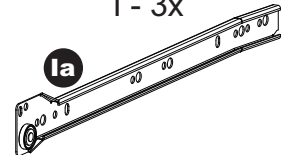
Correct position of the screws



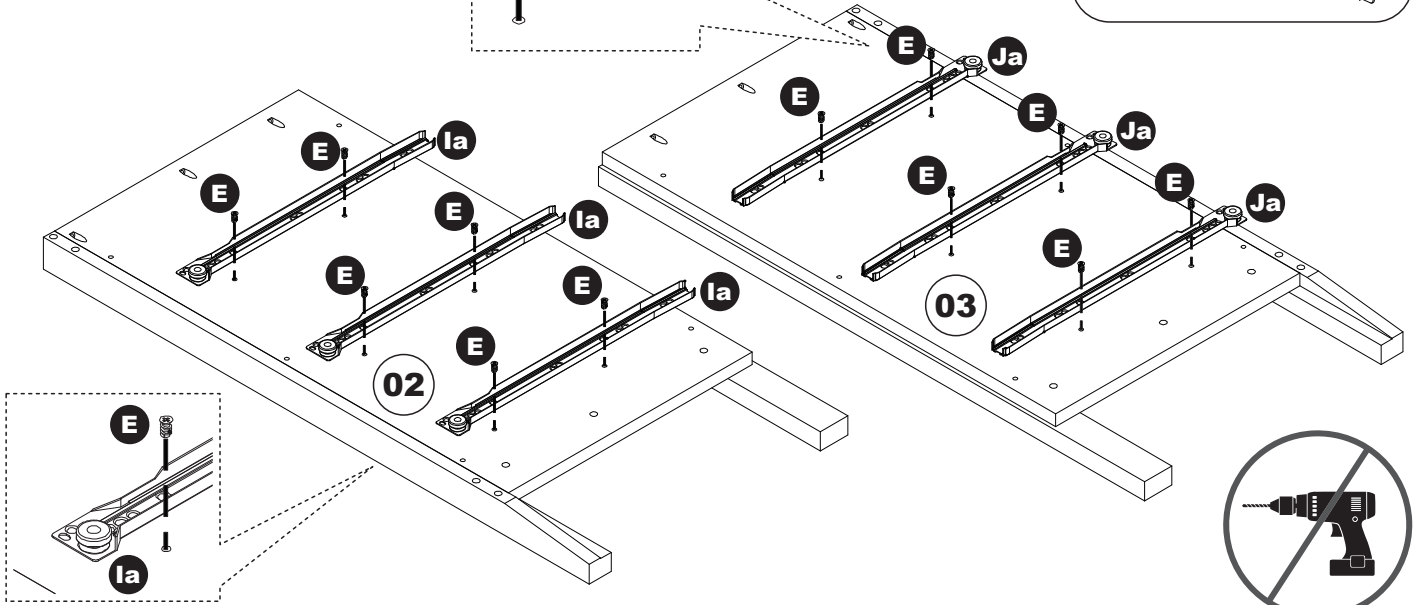
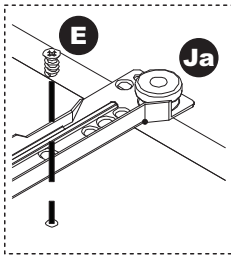
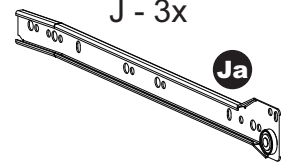
E - 6,0x10mm - 12x



I - 3x

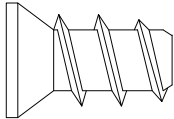


J - 3x

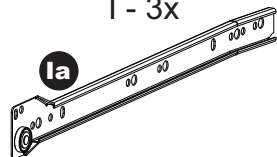


4)

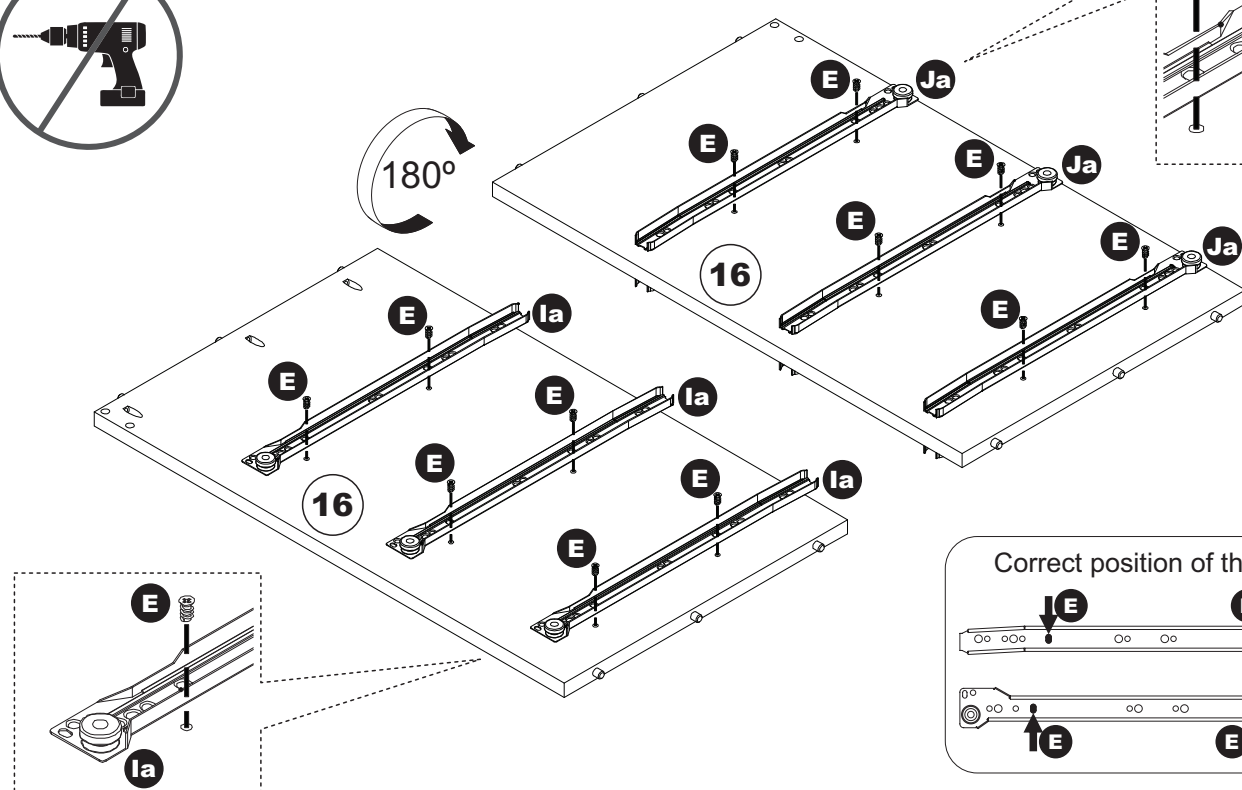
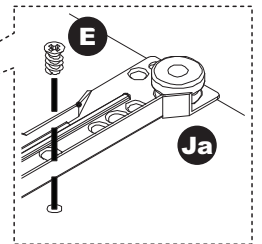
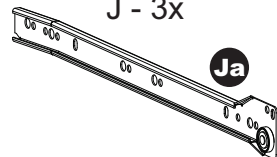
E - 6,0x10mm - 12x



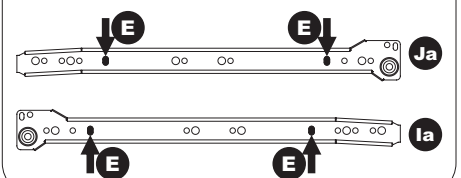
I - 3x



J - 3x

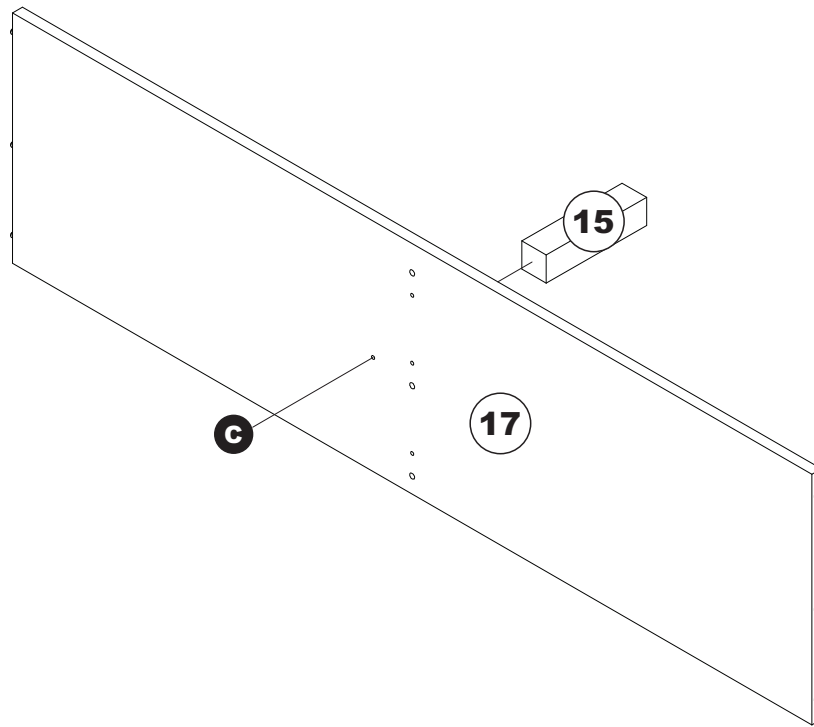
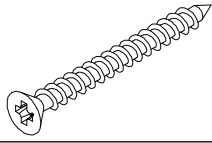


Correct position of the screws



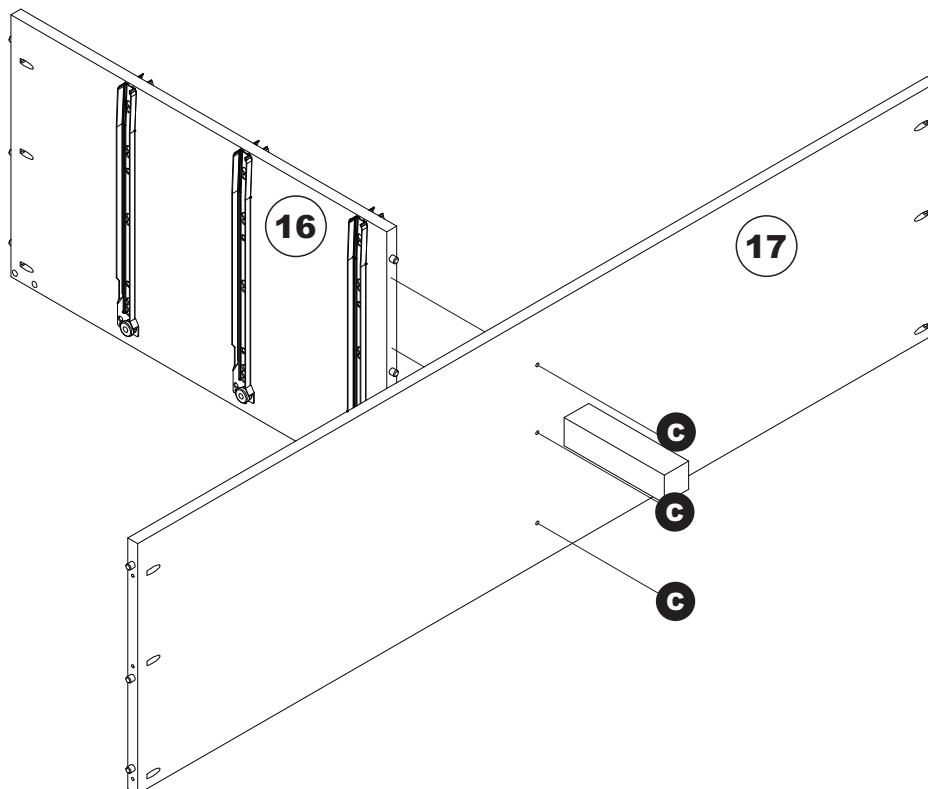
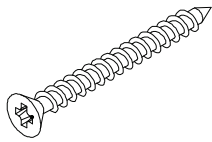
5)

C - 4,0x40mm - 1x



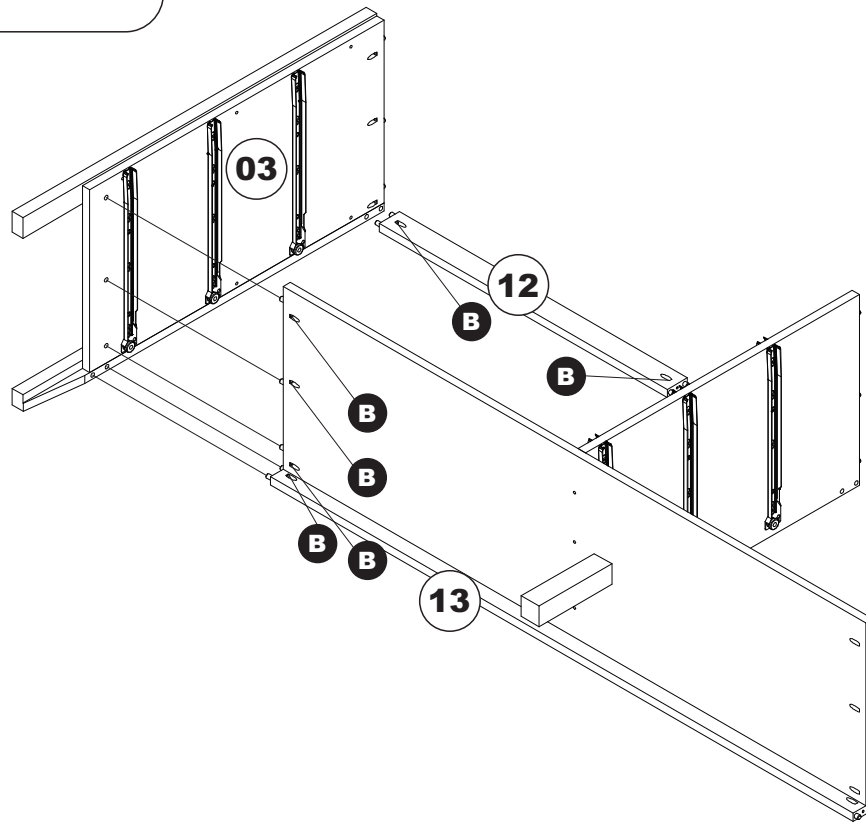
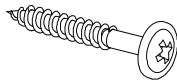
6)

C - 4,0x40mm - 3x



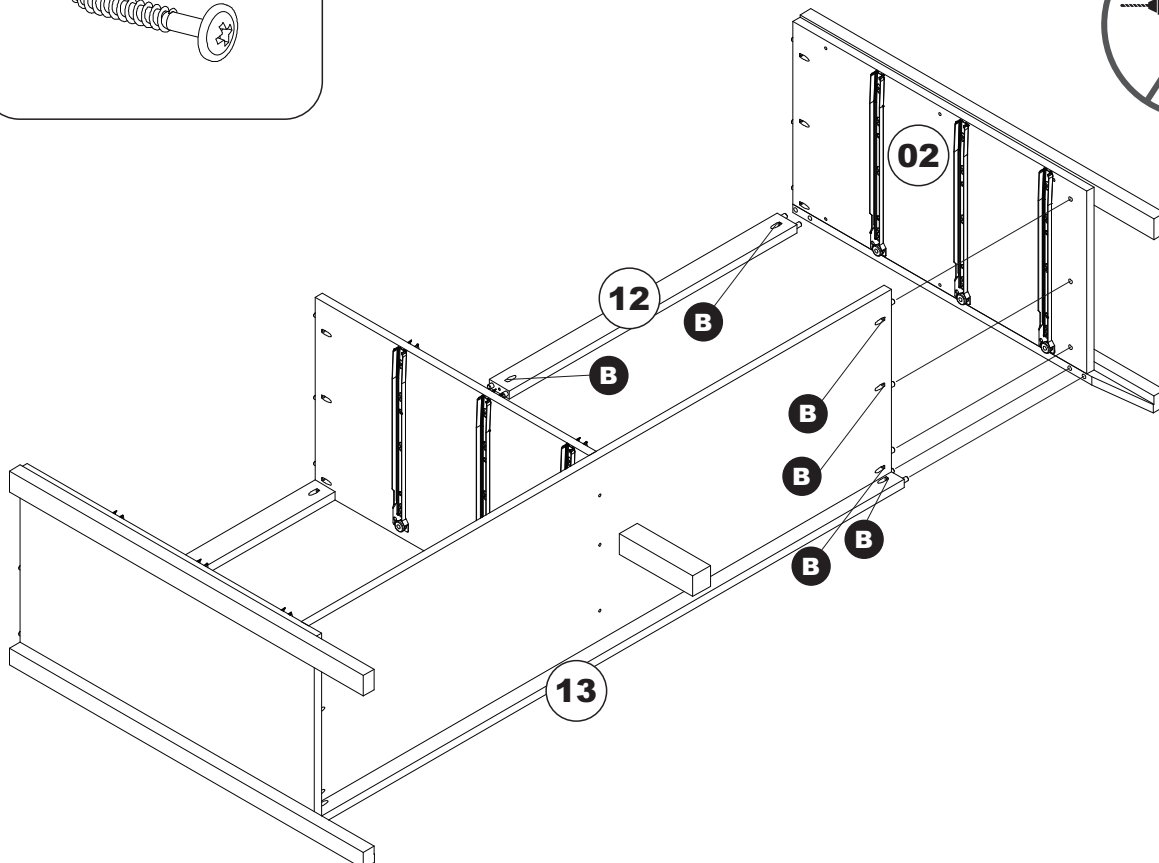
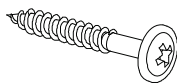
7)

B - 4,0x30mm - 6x



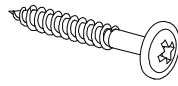
8)

B - 4,0x30mm - 6x

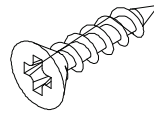


9)

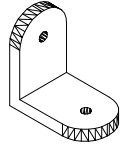
B - 4,0x30mm - 9x



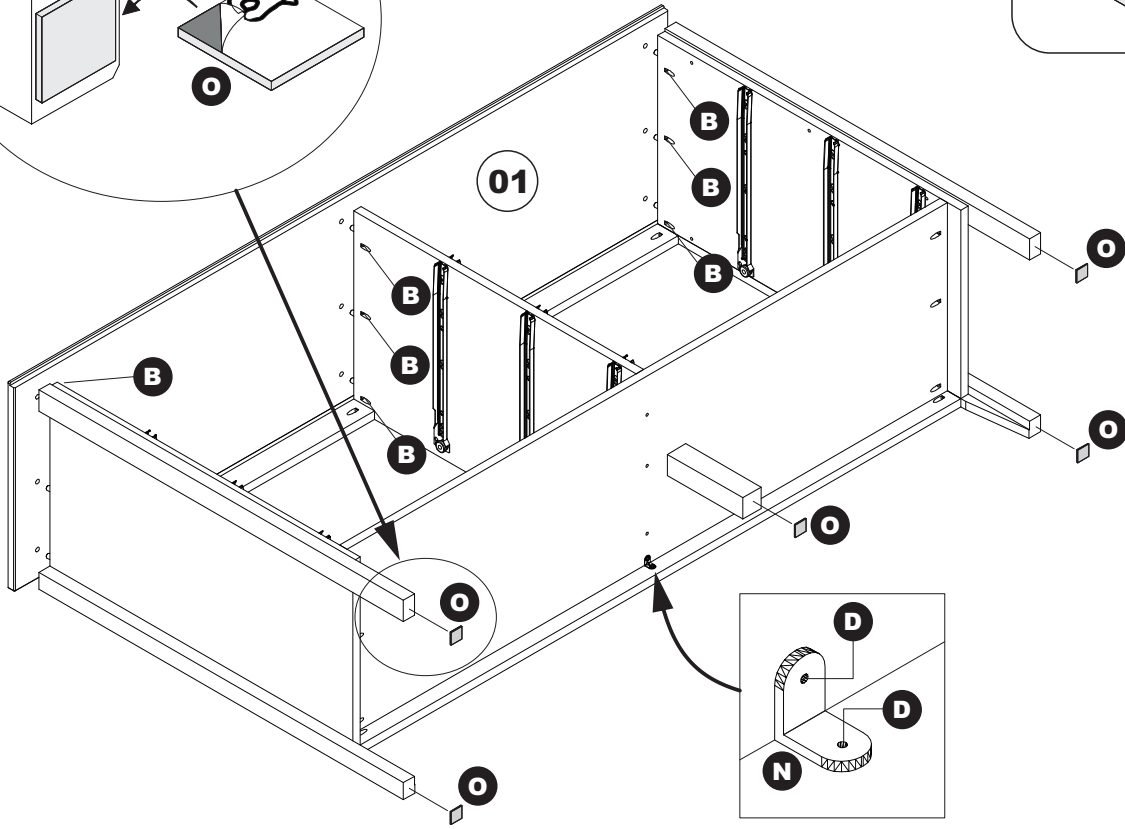
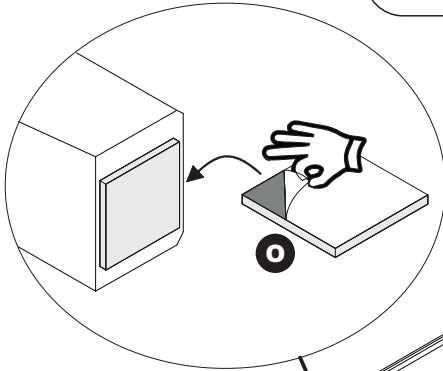
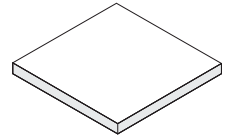
D - 3,5x14mm - 2x



N - 1x

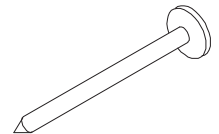


O - 5x

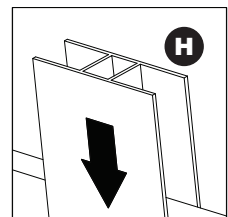
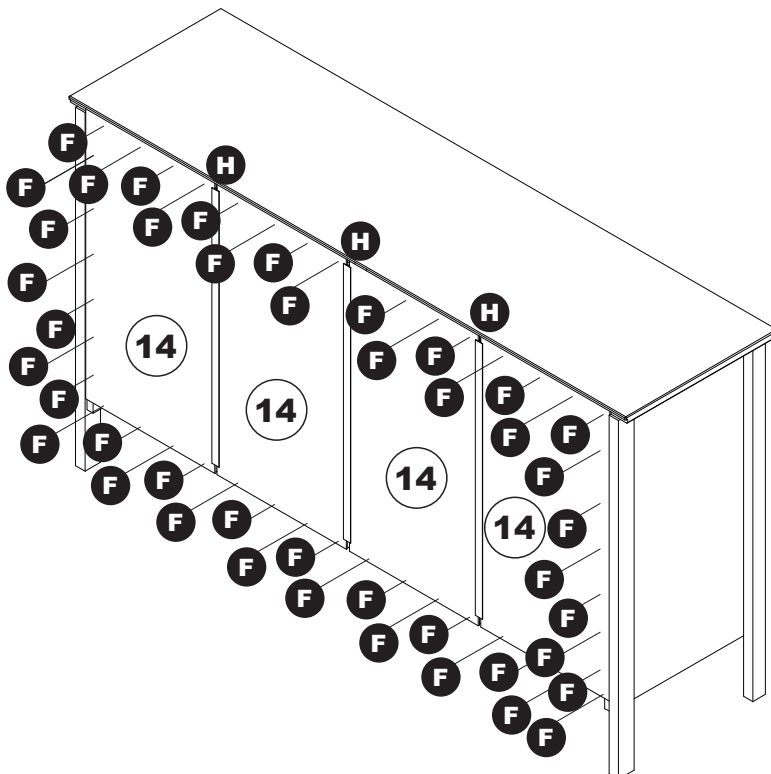
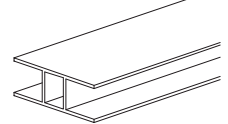


10)

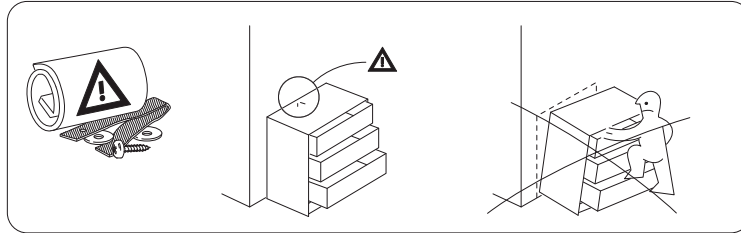
F - 44x



H - 3x



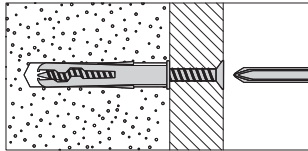
11)



Types of walls

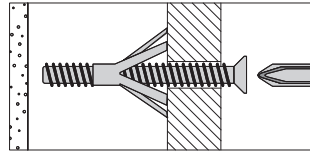
You can use one of the following types of wall plug if your walls are made of brick, breeze block, concrete, stone or wood.

No.1 "General Purpose" wall plug



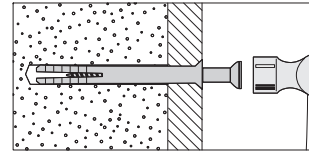
Generally aerated blocks should not be used to support heavy loads, use a specialist fitting in this case. For light loads, general purpose wall plugs can be used.

No.3 "Cavity Fixing" wall plug



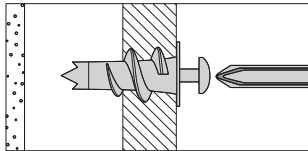
For use with plasterboard partitions or hollow wooden doors.

No.5 "Hammer Fixing" wall plug



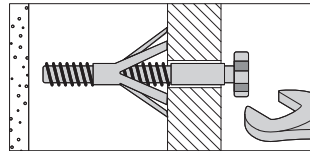
For use with walls stuck with plasterboard. The hammer fixing allows it to be fixed to the wall rather than the plasterboard. Always check the fixing is secure to the retaining wall.

No.2 "Plasterboard" wall plug



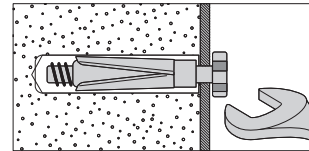
For use when attaching light loads on to plasterboard partitions.

No.4 "Cavity Fixing-Heavy Duty" wall plug



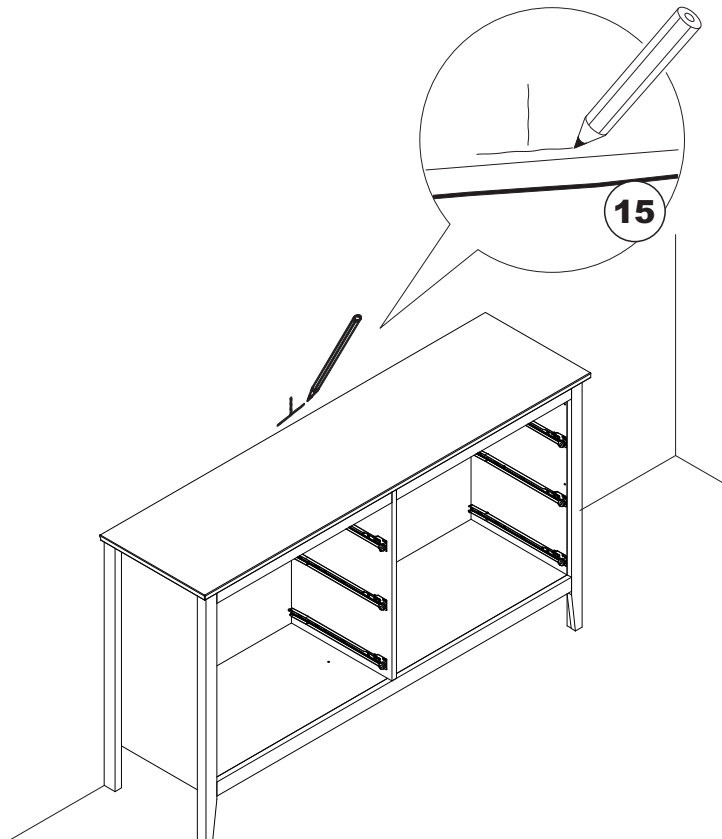
For use when fitting or supporting heavy loads such as shelving, wall cabinets and coat racks.

No.6 "Shield Anchor" wall plug Heavy loads

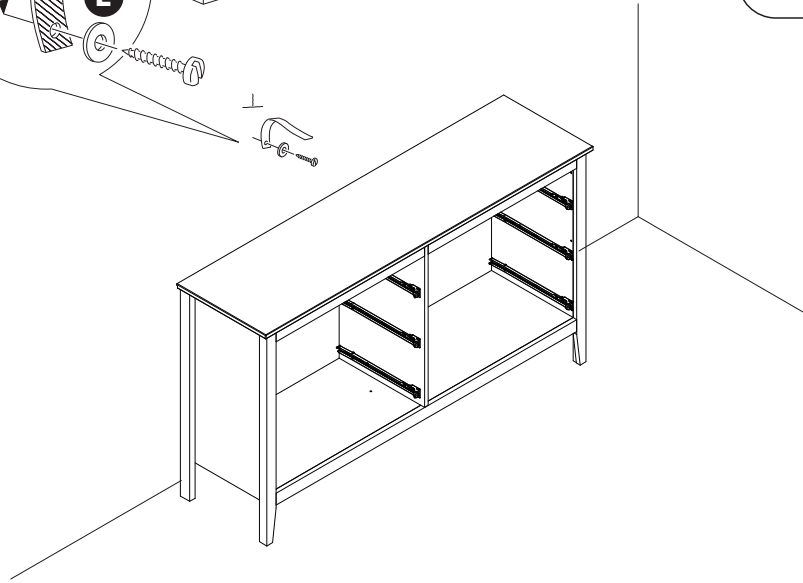
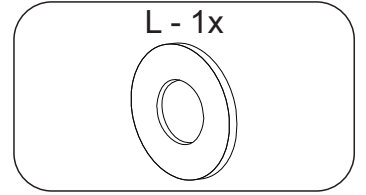
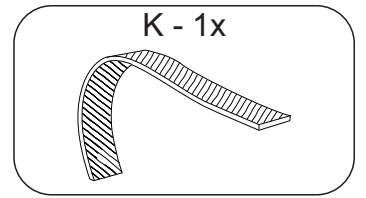
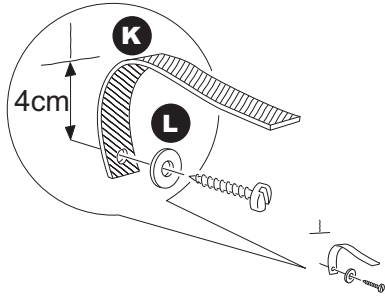
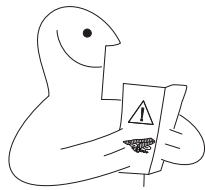


For use with heavier loads such as TV & HiFi speakers and satellite dishes etc.

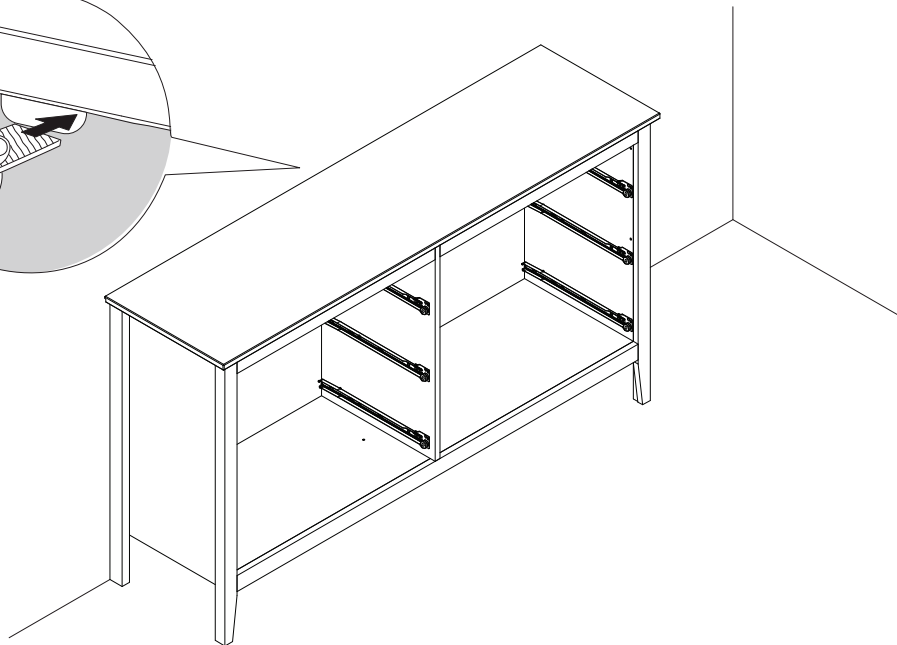
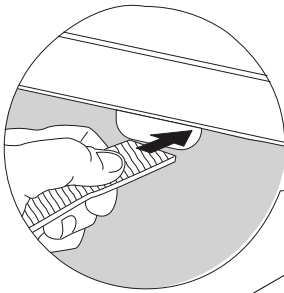
12)



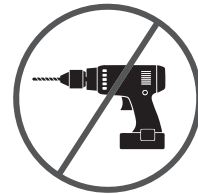
13)



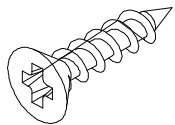
14)



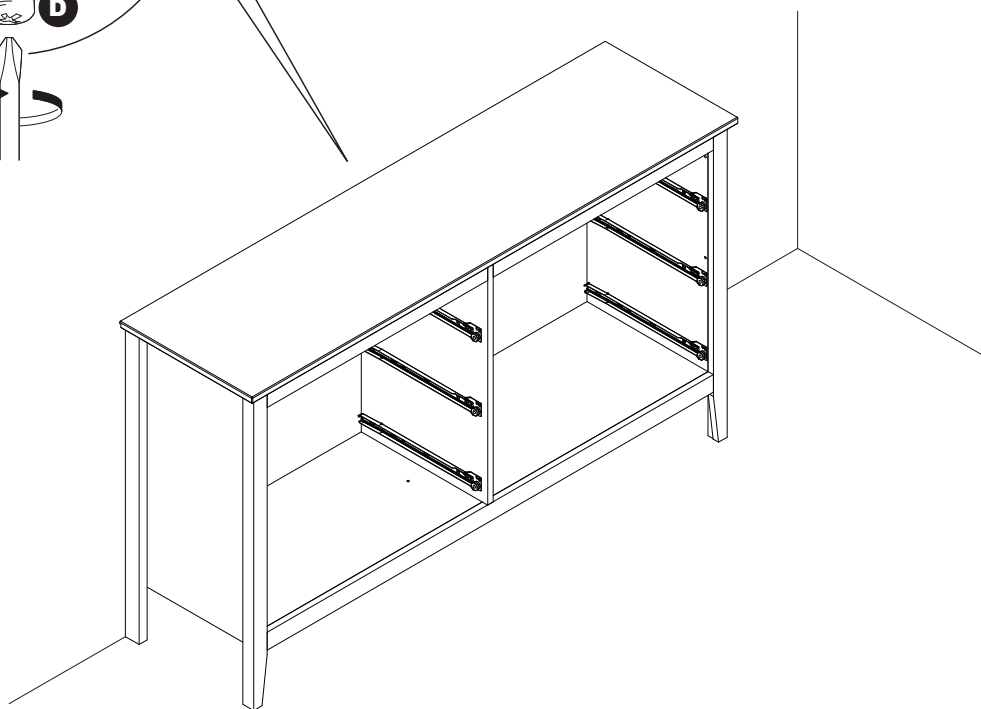
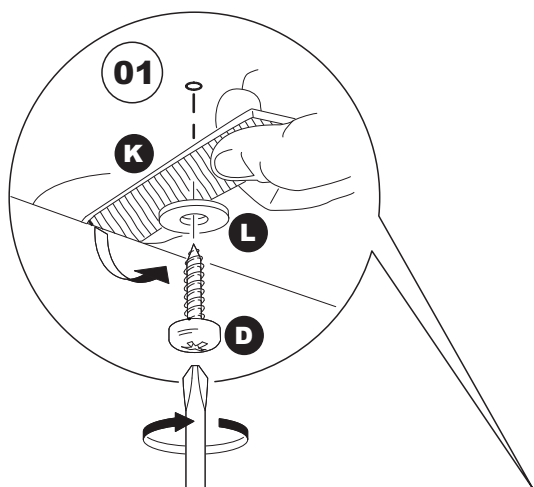
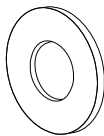
15)



D - 3,5x14mm - 1x

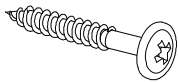


L - 1x

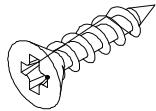


16)

B - 4,0x30mm - 48x



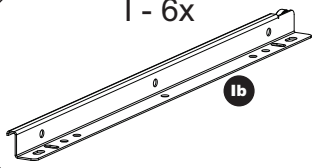
D - 3,5x14mm - 24x



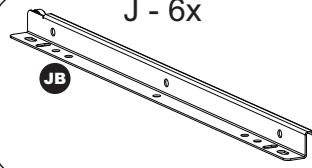
G - 6x



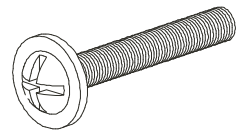
I - 6x



J - 6x

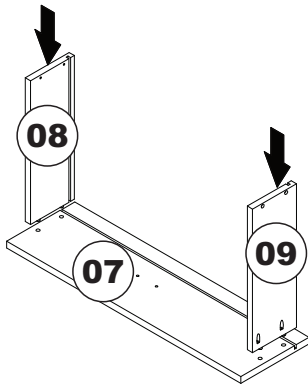


M - M4x18mm - 12x

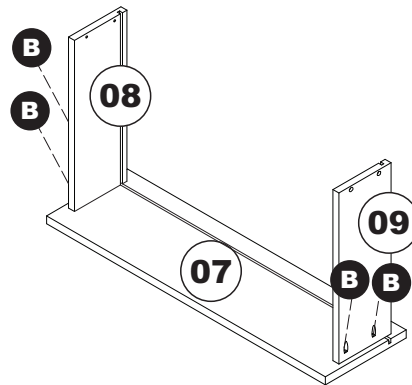


6x

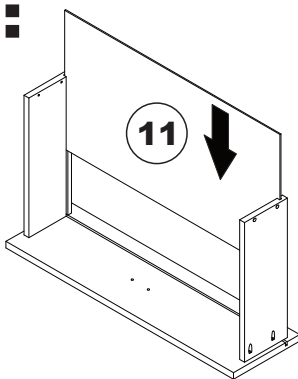
a:



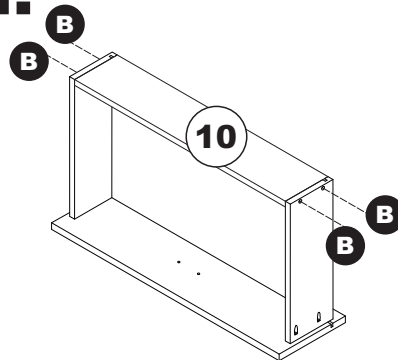
b:



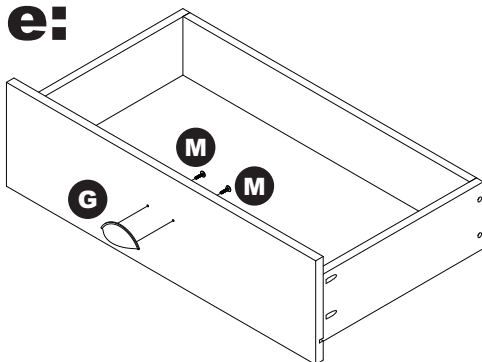
c:



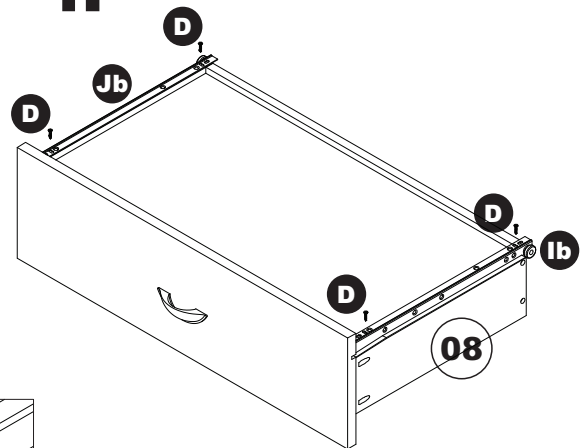
d:



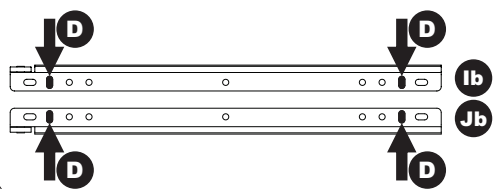
e:



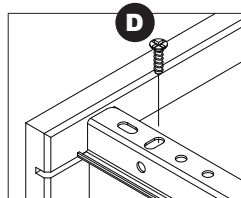
f:



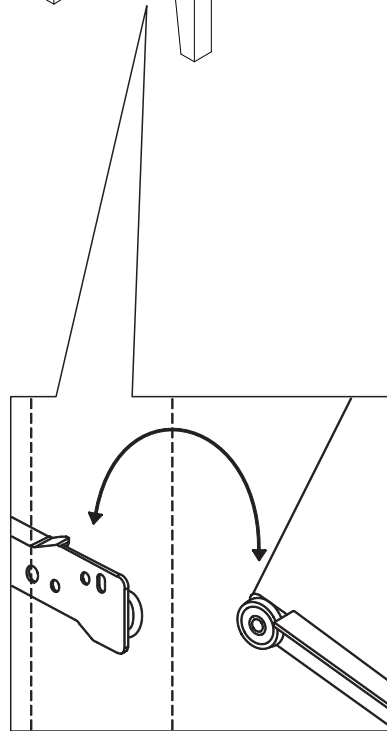
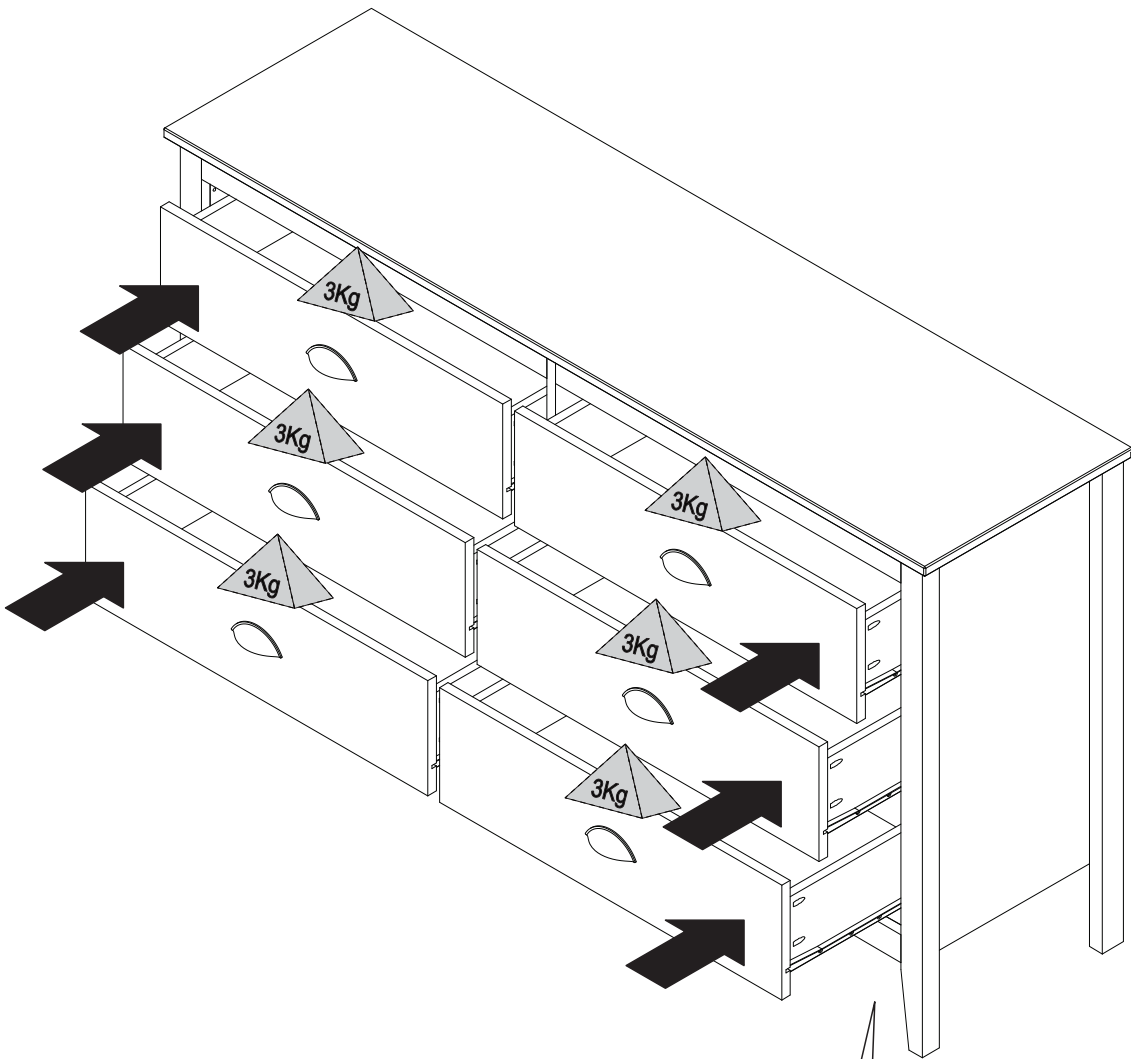
Correct position of the screws



IN FLUSH

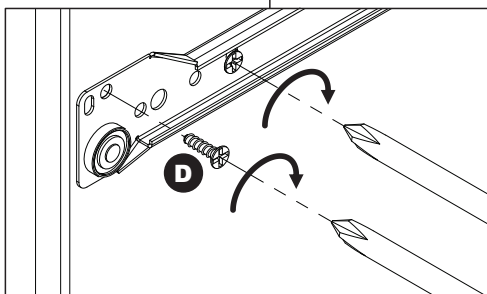
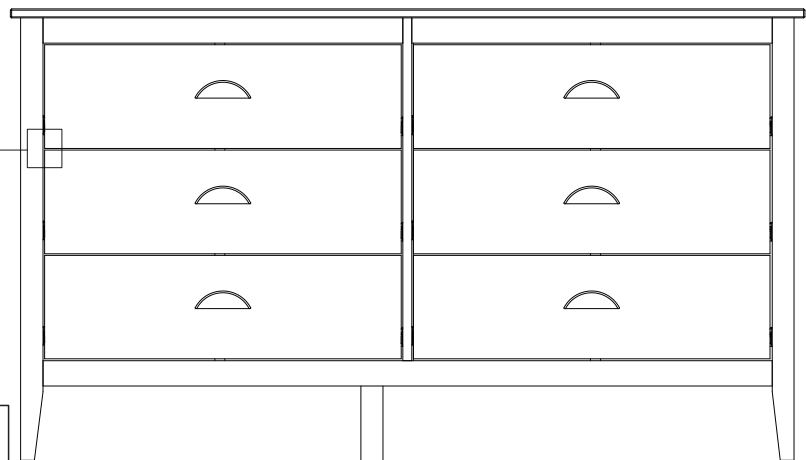
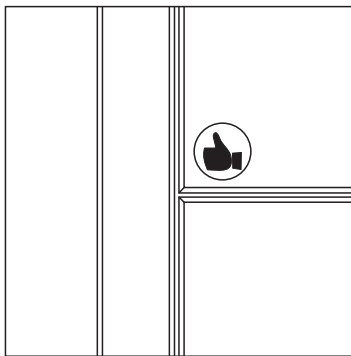
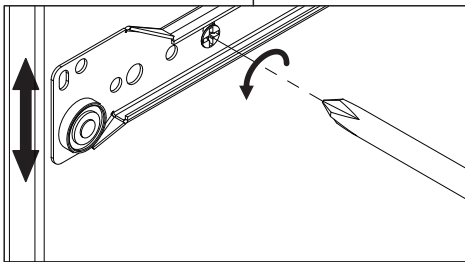
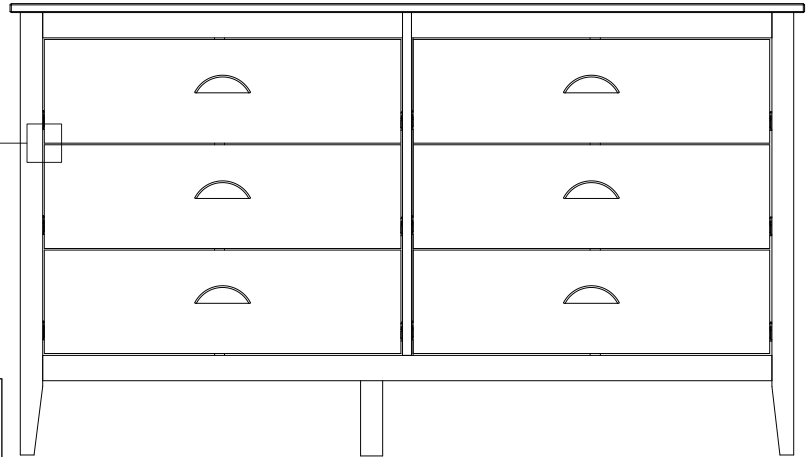
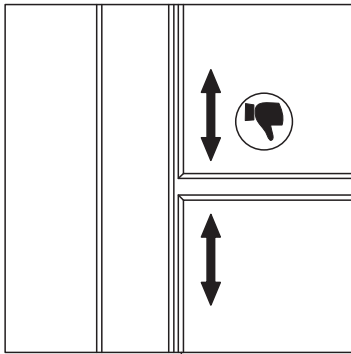
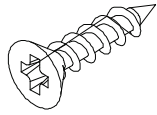


17)



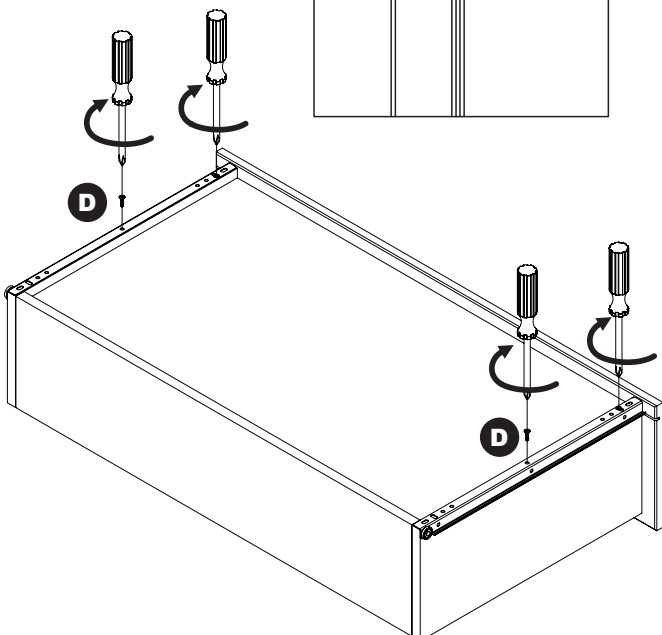
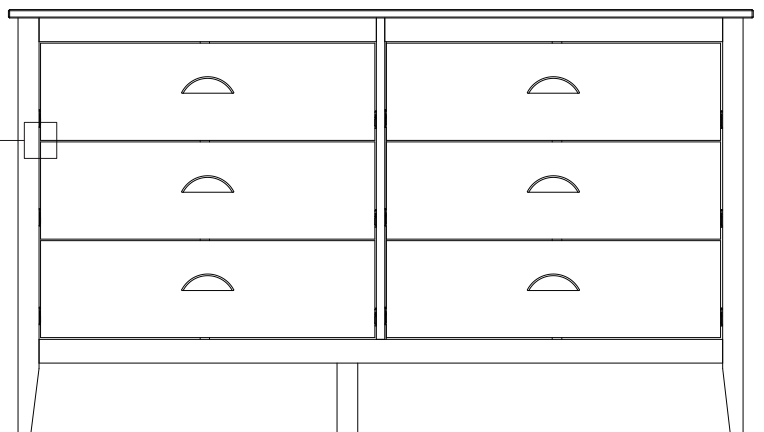
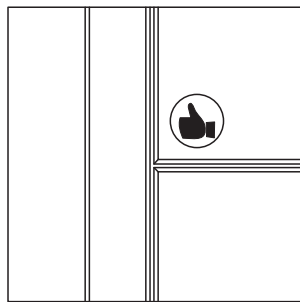
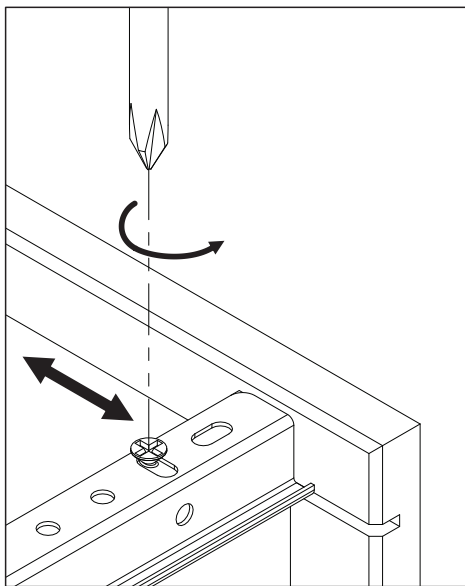
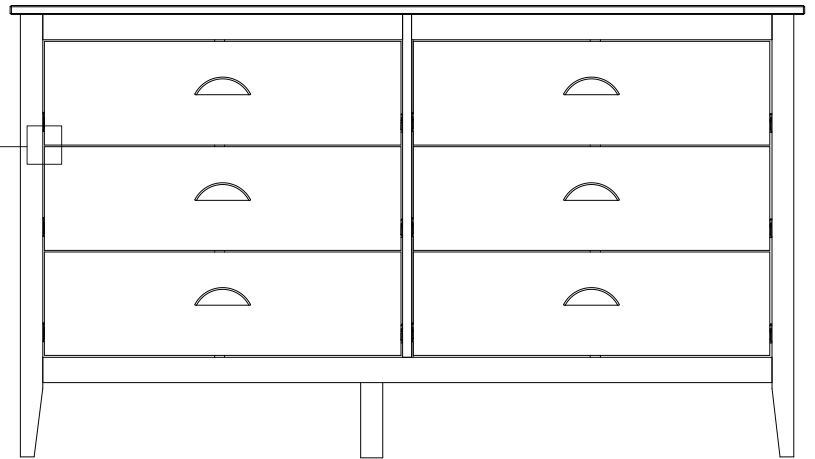
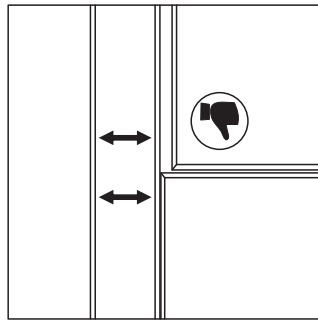
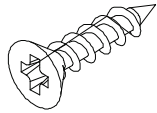
18)

D - 3,5x14mm - 12x



19)

D - 3,5x14mm - 12x



Correct position of the screws

