

MODEL : T-750 TV CABINET

ASSEMBLY INSTRUCTION

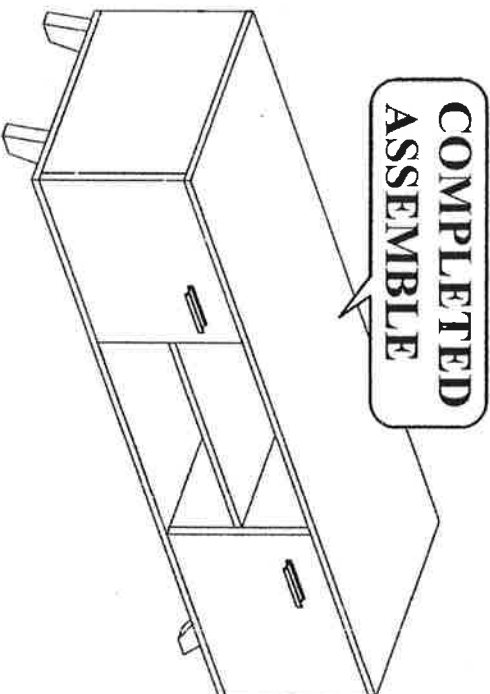
- Important note : - Place all wooden part on a clean and smooth surface such as rug or carpet to avoid the part from being scratch
- Please follow the assembly instruction step by step
 - Do not tighten all screw until the table fully set-up

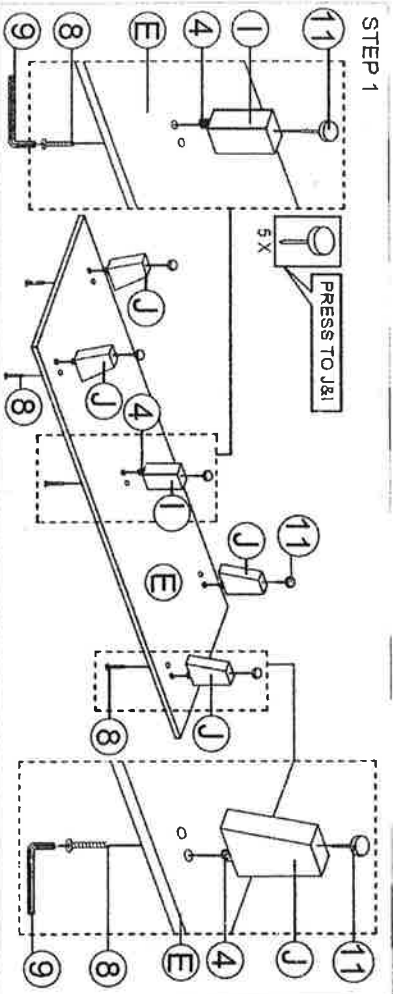
PARTS LIST

NO	DESCRIPTION	QTY
A	TOP PANEL W1200*D400*15MM	1
B	SIDE PANEL D384*H320*15MM	2
C	CENTER VERTICAL PANEL D384*H320*15MM	2
D	SHELF PANEL W465*D384*15MM	1
E	BOTTOM PANEL W1200*D400*15MM	1
F	BACK PANEL W1198*H350*03MM	1
G	RIGHT DOOR W365*H314*15MM	1
H	LEFT DOOR W365*H314*15MM	1
I	CENTER LEG	1
J	LEFT/RIGHT LEG	4

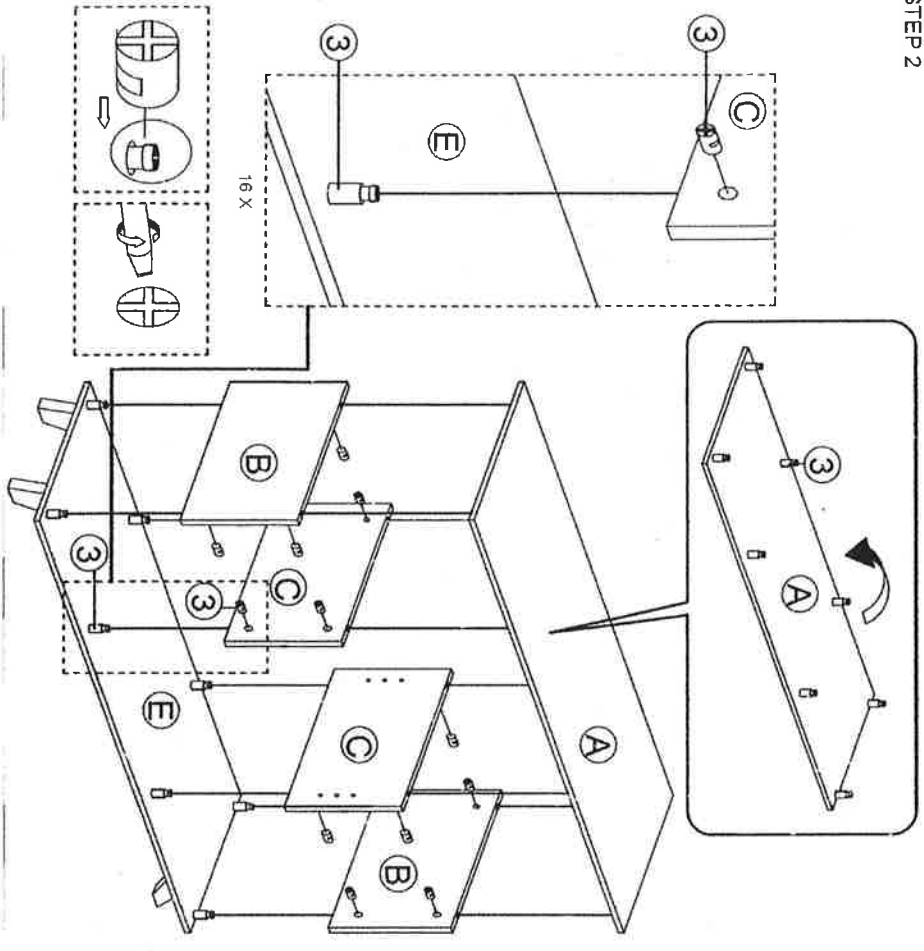
HARDWARE LIST

NO	DESCRIPTION	QTY
1	CSK SCREW M3.5 X 12mm	24 PCS
2	PHCD CSK SCREW M4 X 12mm	34 PCS
3	MINIFIX 2 IN 1	16 SET
4	DOWEL M8X25	5 PCS
5	HINGES LOW	4 PCS
6	HANDLE	2 PCS
7	SCREW HANDLE M4 X 20mm	4 PCS
8	JCBC SCREW M6 X 30MM	5 PCS
9	ALLEN KEY M4	1 PCS
10	SELF HOLDER	4 PCS
11	LEG NAIL	5 PCS

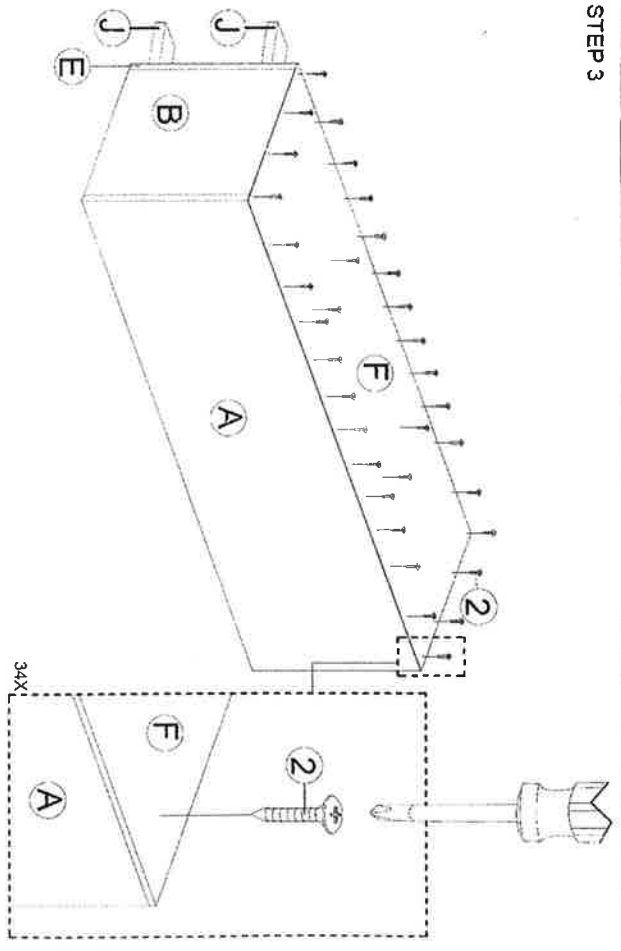




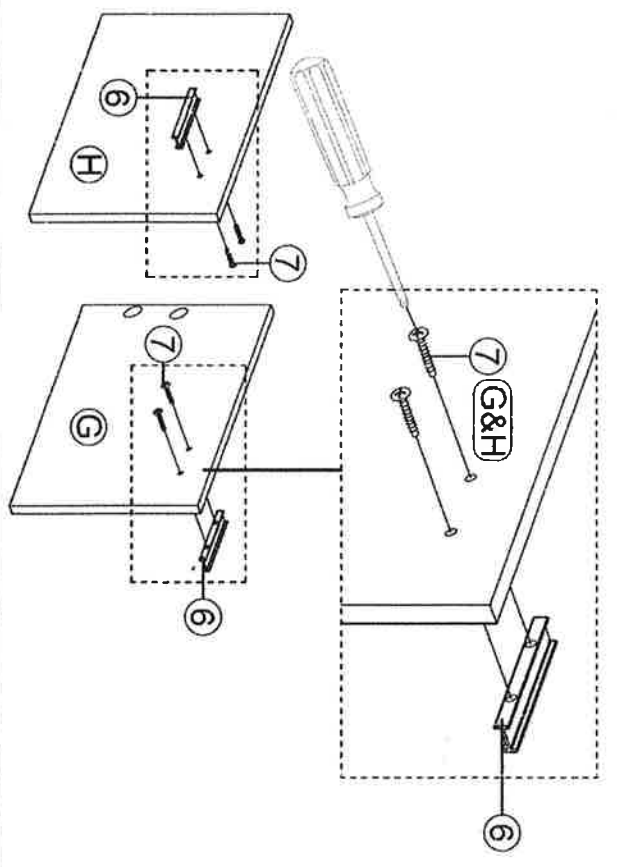
STEP 2



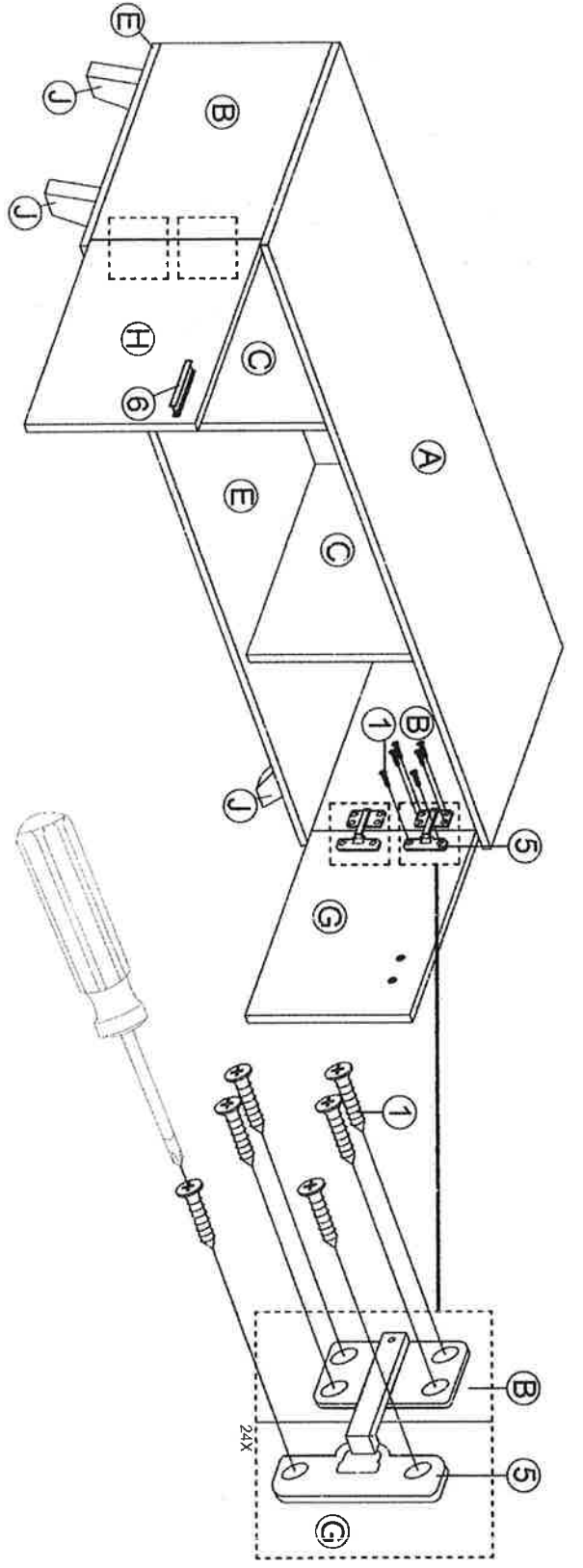
STEP 3



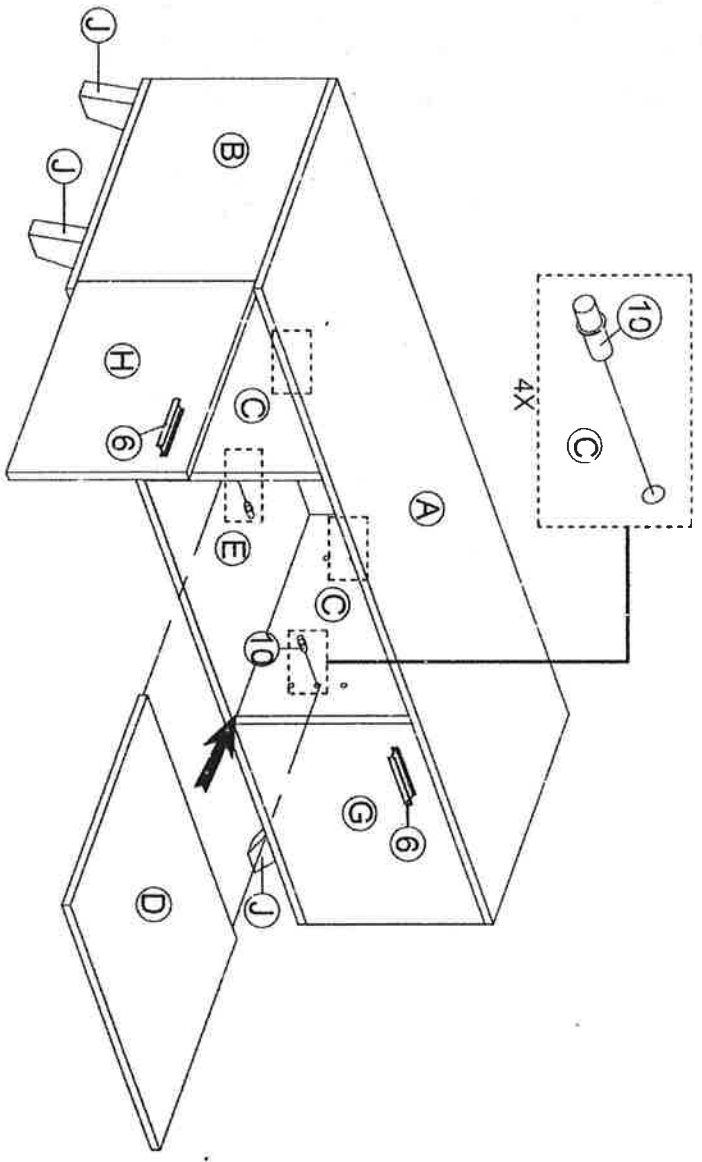
STEP 4



STEP 5



STEP 6



MODEL : T-750 TV CABINET

ASSEMBLY INSTRUCTION

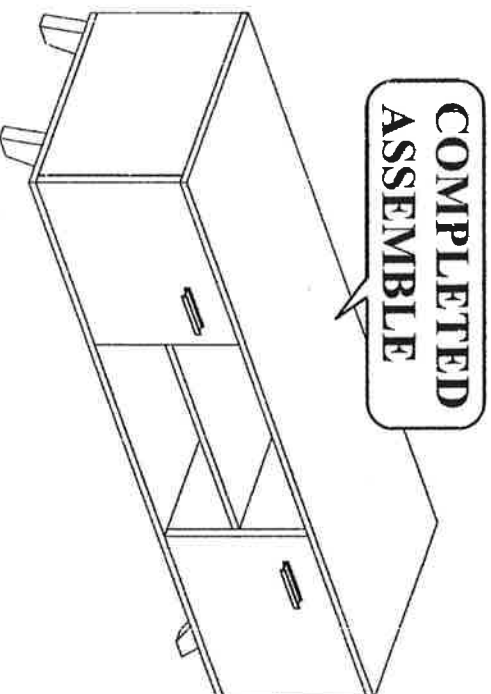
Important note : placez toutes les pieces en bois sure une surface propre et lisse, comme un tapis pour eviter les rayures
 : -Suivez les instructions d'assemblage etape par etape
 : -Ne pas surrer toutes les vis jusqu a ce que la table est entierement mis en place

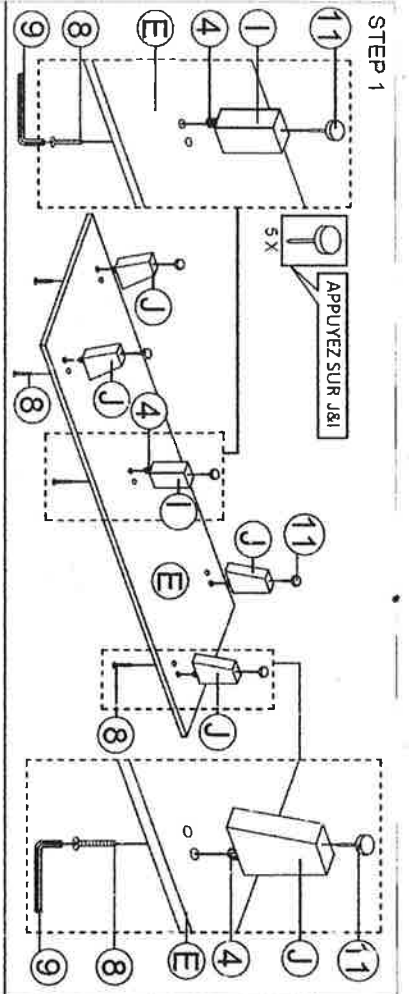
PARTS LIST

NO	DESCRIPTION	QTY
A	PANNEAU DU HAUT W1200*D400*15MM	1
B	PANNEAU LATÉRAL D384*H320*15MM	2
C	PANNEAU VERTICAL CENTRE D384*H320*15MM	2
D	PANNEAU D'ÉTAGERE W465*D384*15MM	1
E	PANNEAU DU BAS W1200*D400*15MM	1
F	PANNEAU ARRIÈRE W1198*H350*03MM	1
G	Porte droite W365*H314*15MM	1
H	PORTE GAUCHE W365*H314*15MM	1
I	PIED DE CENTRALE	1
J	PIED DE LA GAUCHE/DROITE	4

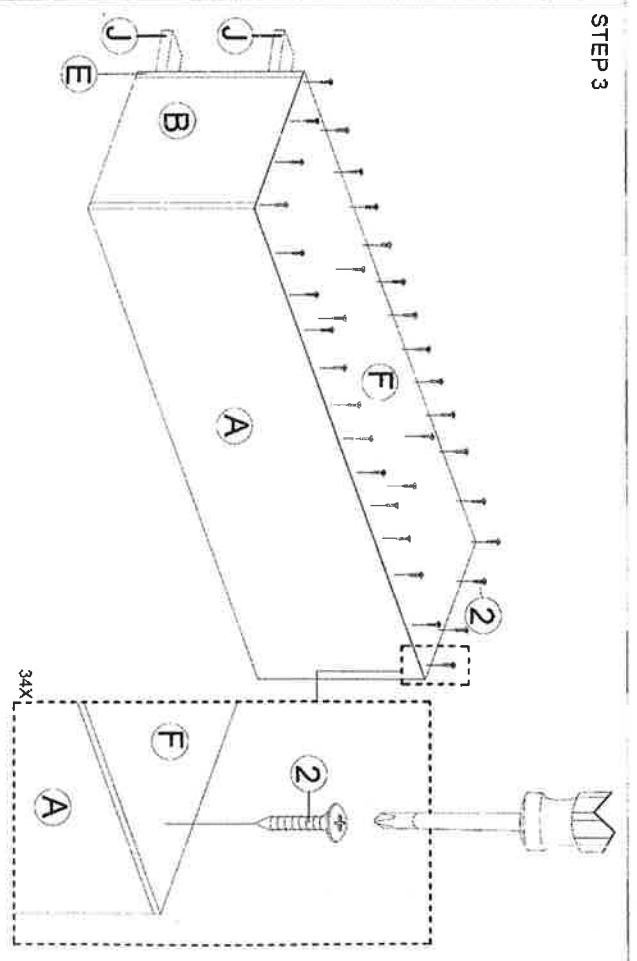
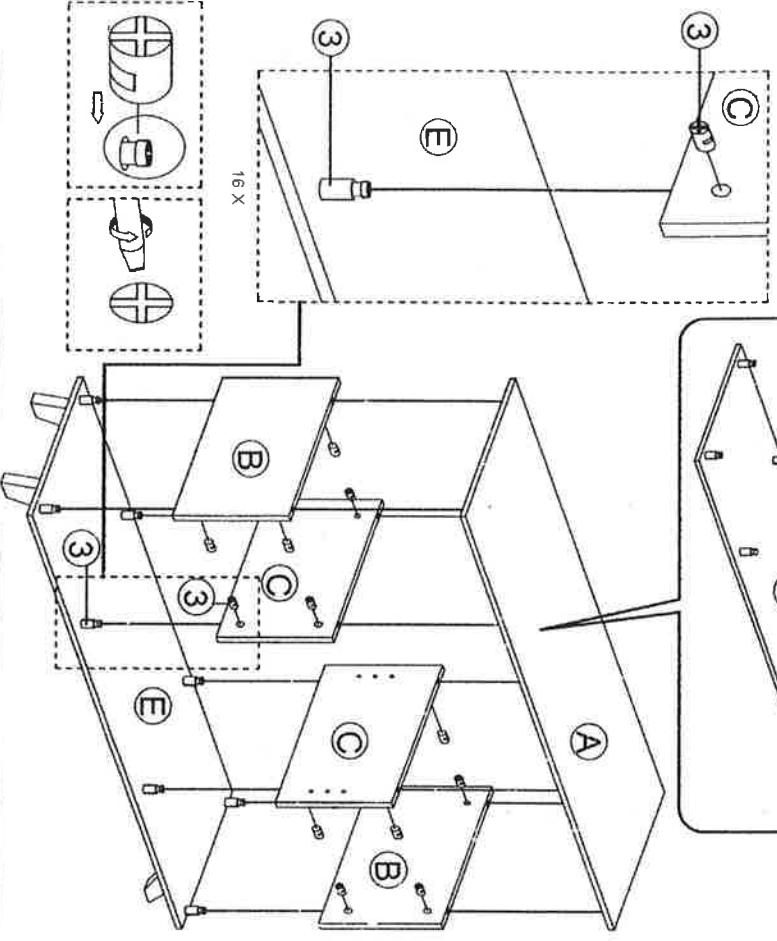
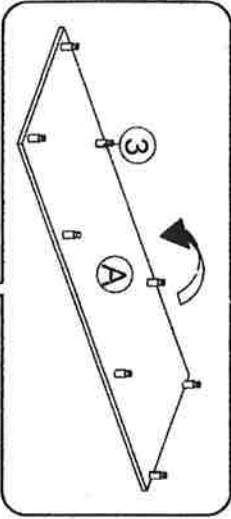
HARDWARE LIST

NO	DESCRIPTION	QTY
1	CSK SCREW M3.5 X 12mm	24 PCS
2	PHCD CSK SCREW M4 X 12mm	34 PCS
3	MINIFIX 2 IN 1	16 SET
4	GOIJON M8X25	5 PCS
5	Charnières	4 PCS
6	MANIPULER	2 PCS
7	SCREW HANDLE M4 X 20mm	4 PCS
8	JCBC SCREW M6 X 30MM	5 PCS
9	M4 Cle Allen	1 PCS
10	AUTOCOLLANT	4 PCS
11	NAIL DE JAMBES	5 PCS

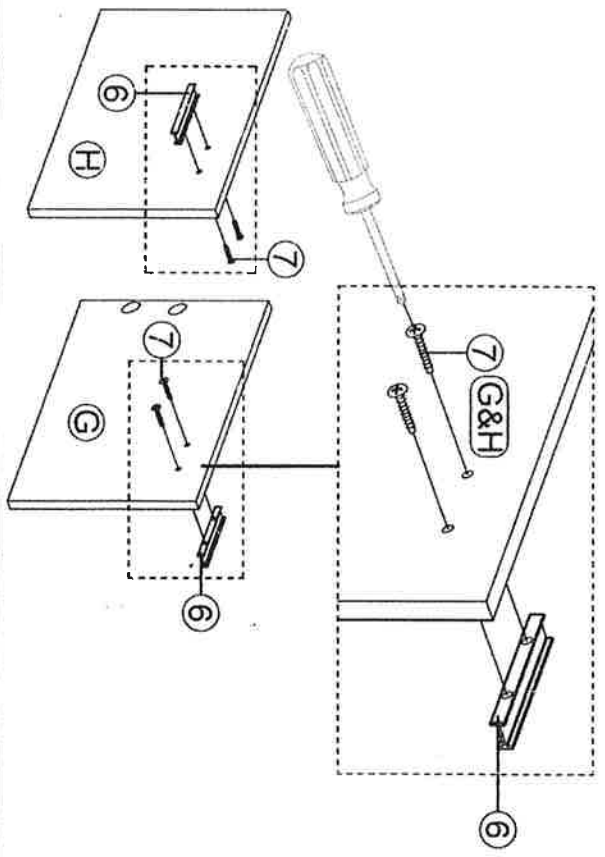




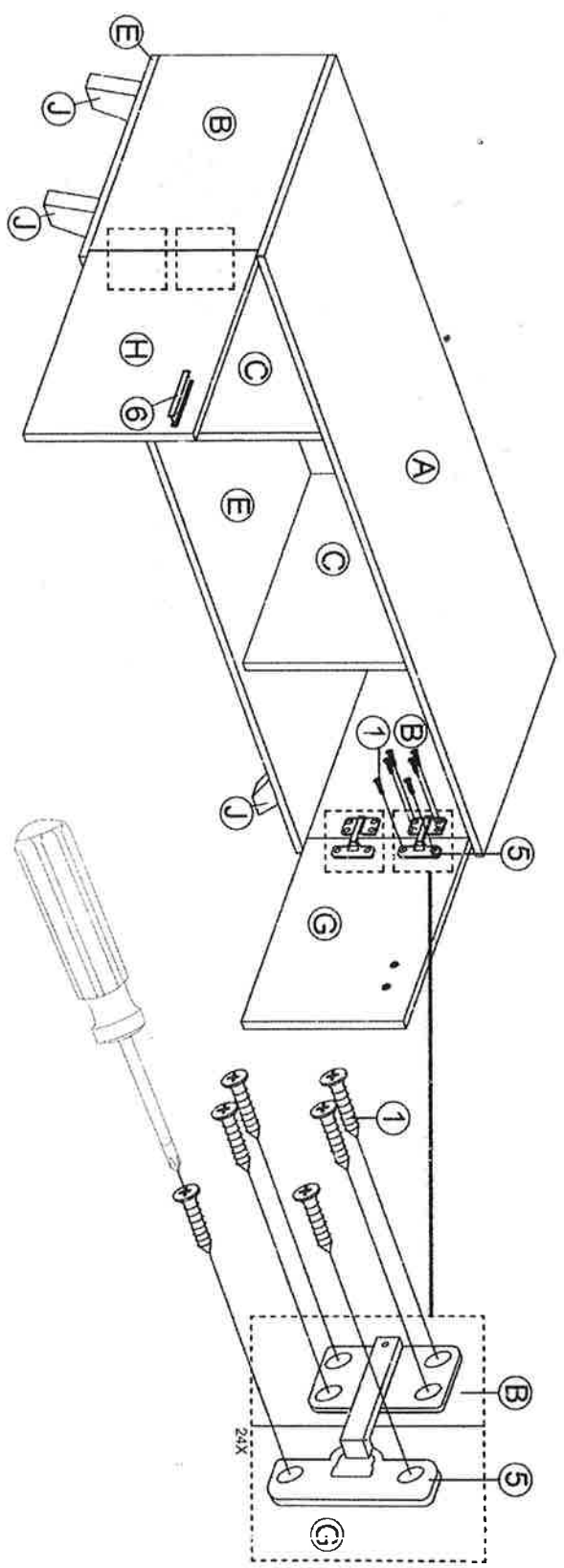
STEP 2



STEP 4



STEP 5



STEP 6

