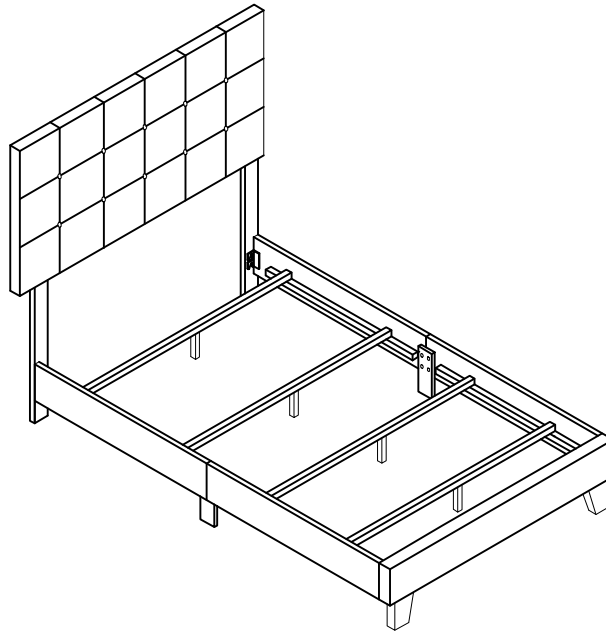
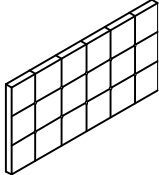
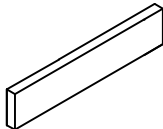
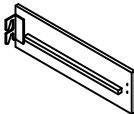
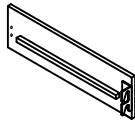


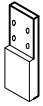
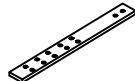
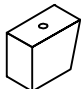










2113 Q ASSEMBLY INSTRUCTION



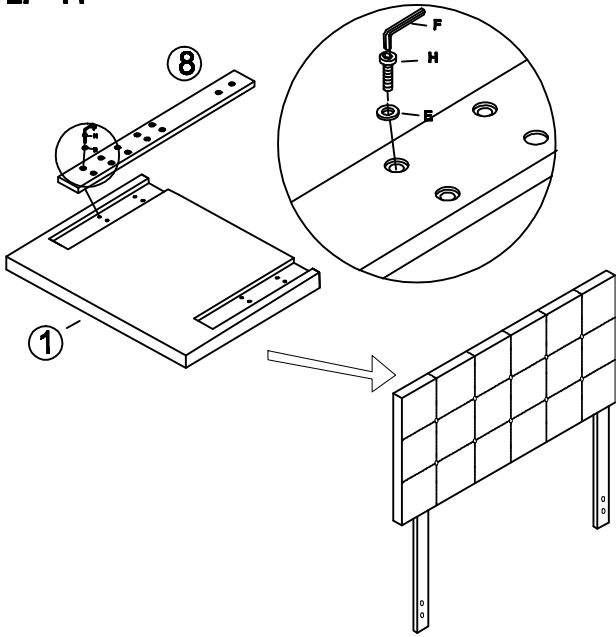
PARTS LIST

- | | | | |
|---|---|---|---|
| ①-Head Board(1pc) | ②-Foot Board (1pc) | ③-Side Rails (2pcs) | ④-Side Rails (2pcs) |
|  |  |  |  |
| ⑤-Center Support(4pcs)
Bar | ⑥-Support Legs(4pcs) | ⑦-Siderails
Support legs(2pcs) | ⑧-HB Foot (2pcs) |
|  |  |  |  |
| ⑨-Footboard Legs (2pcs) | | | |
|  | | | |

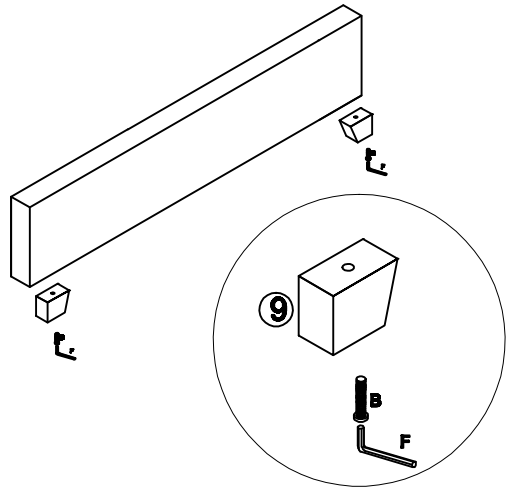
HARDWARE LIST

- | | | | | |
|---|---|---|--|---|
| A Bolt M8*30mm 16pcs | B Bolt M8*75mm 2pcs | C Bolt M8*40mm 4pcs | D Spring Washer 8pcs | E Flat Washer ϕ 20 28pcs |
|  |  |  |  |  |
| F M8 Allen Key 1pc | G Self tapping screw 8pcs | H Bolt M8*60mm 8pcs | | |
|  |  |  | | |

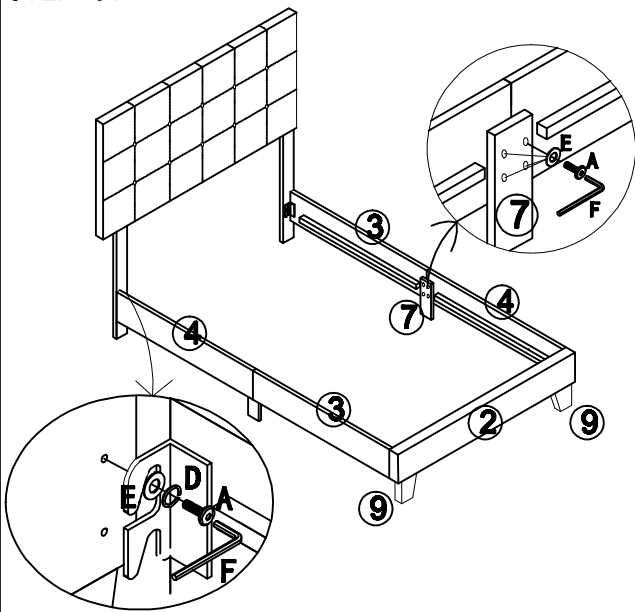
STEP 1:



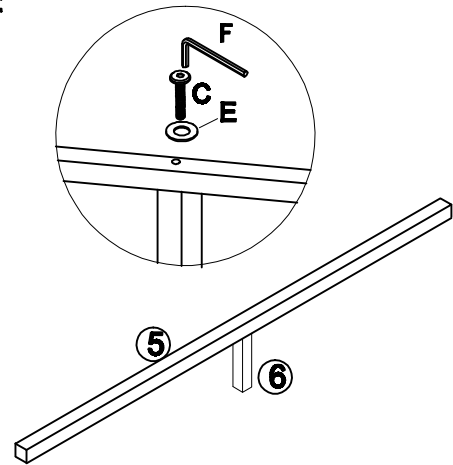
STEP 2:



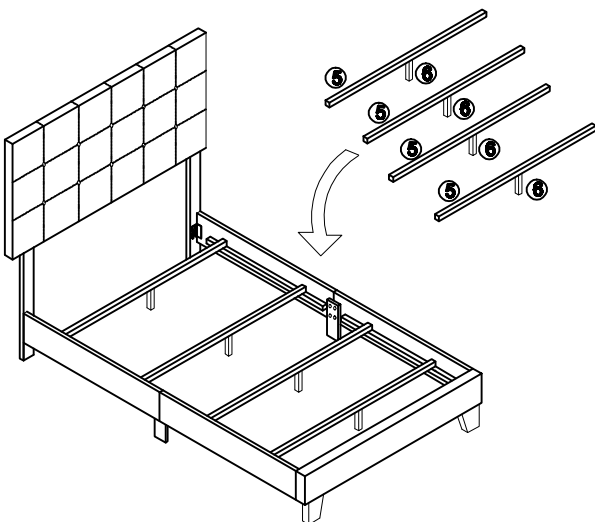
STEP 3:



STEP 4:



STEP 5:



STEP 6:

