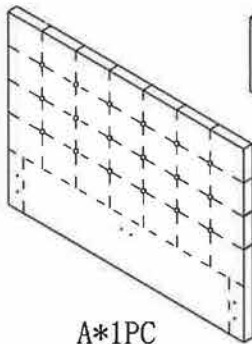
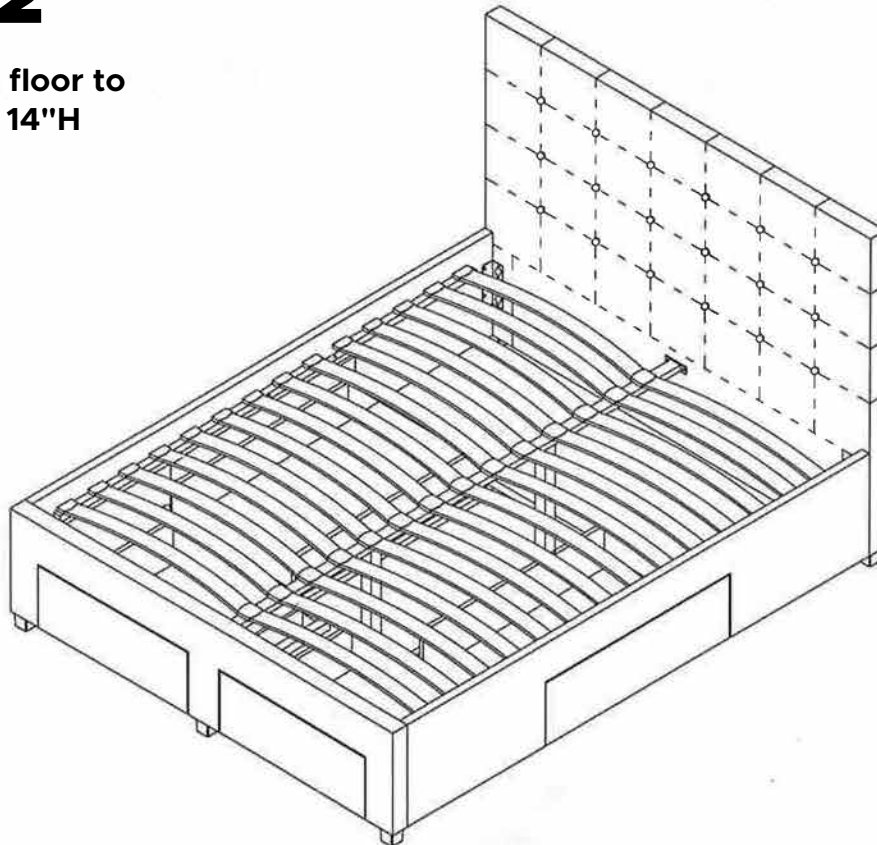


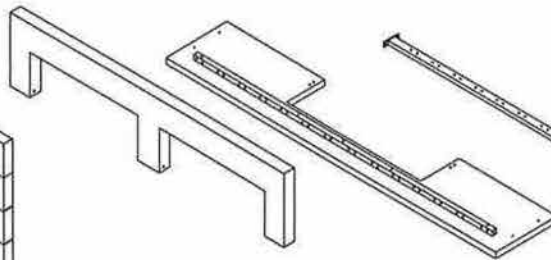
ASSEMBLY INSTRUCTIONS

T2152

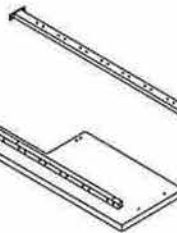
Height from floor to top of slats: 14"H



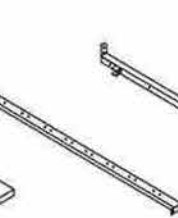
A*1PC



B*1PC



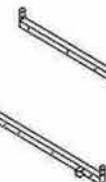
C*2PCS



D*1PC



E1*1PC



E2*1PC



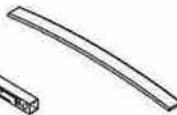
F*2PCS



G1*2PCS



G2*2PCS



H*28PCS



I*5PCS



J1*2PCS



J2*4PCS



K*14PCS



L*28PCS



M*4PCS



M8*30MM



1/4"*16MM



1/4"*40MM

P*4PCS



Q*8PCS



M8

R*1PC

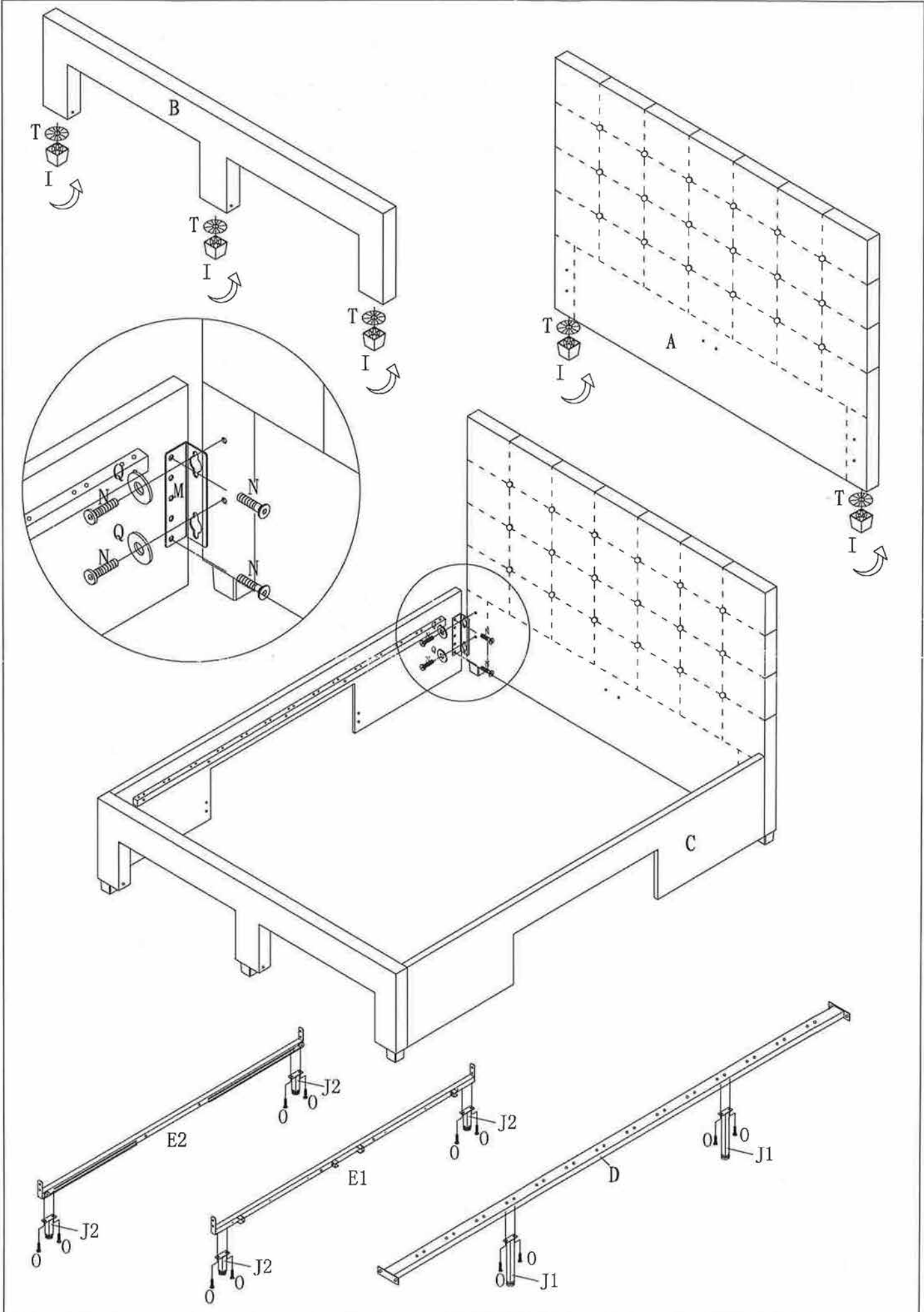


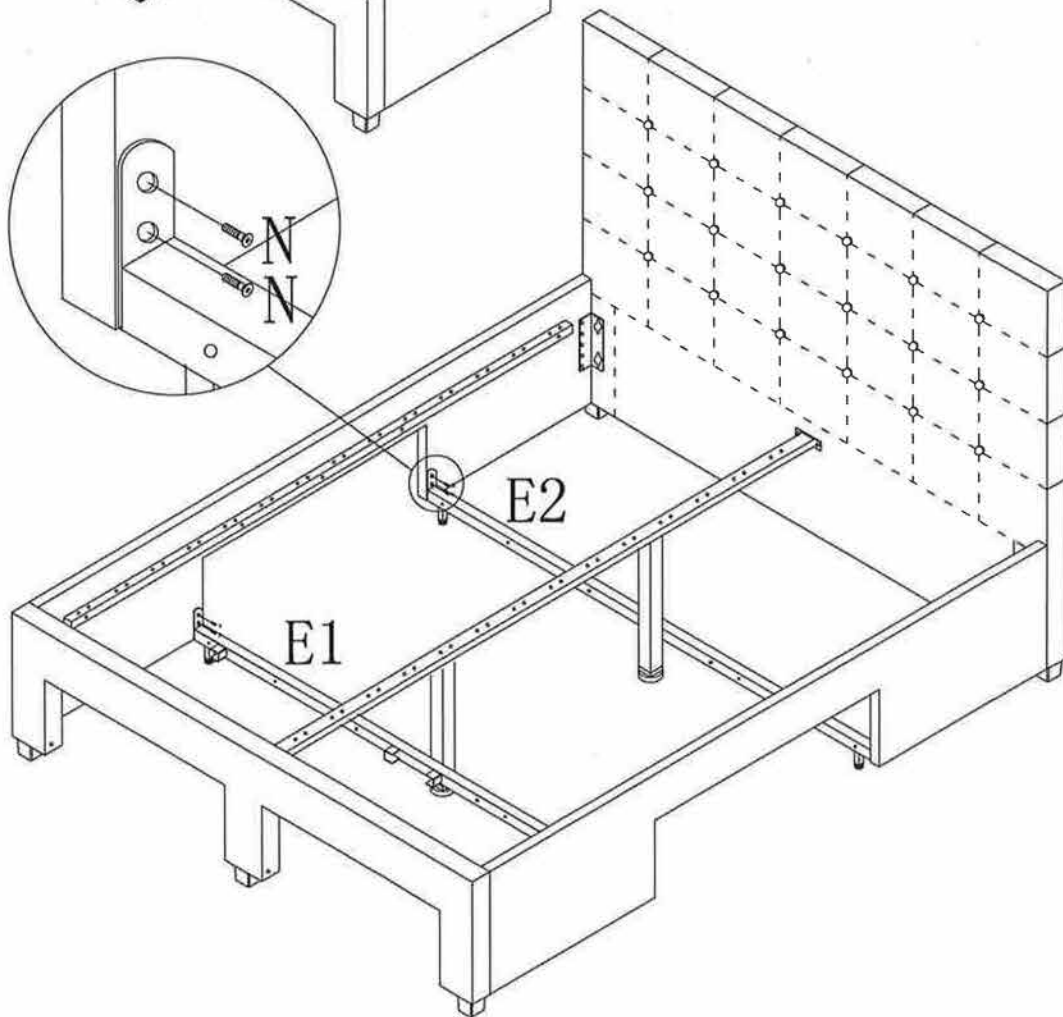
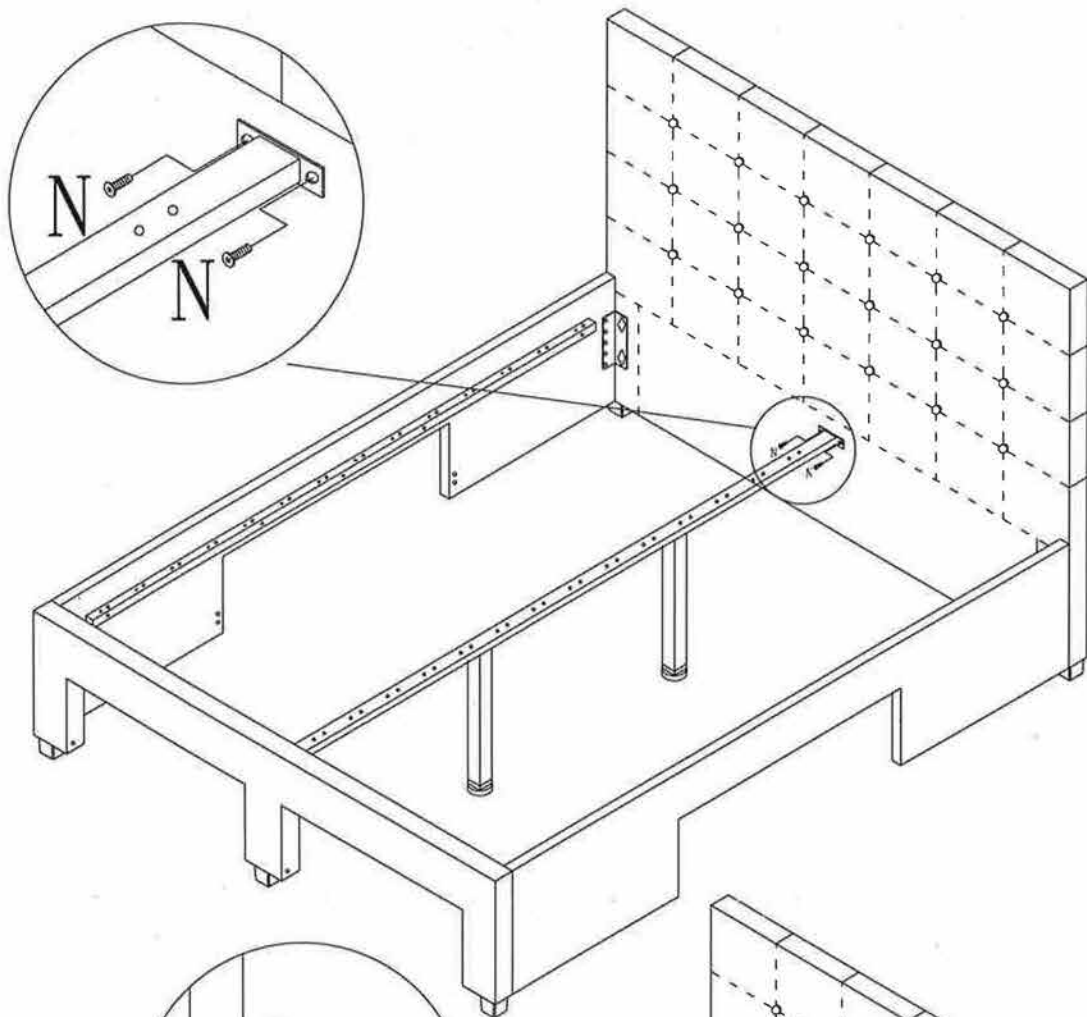
1/4"

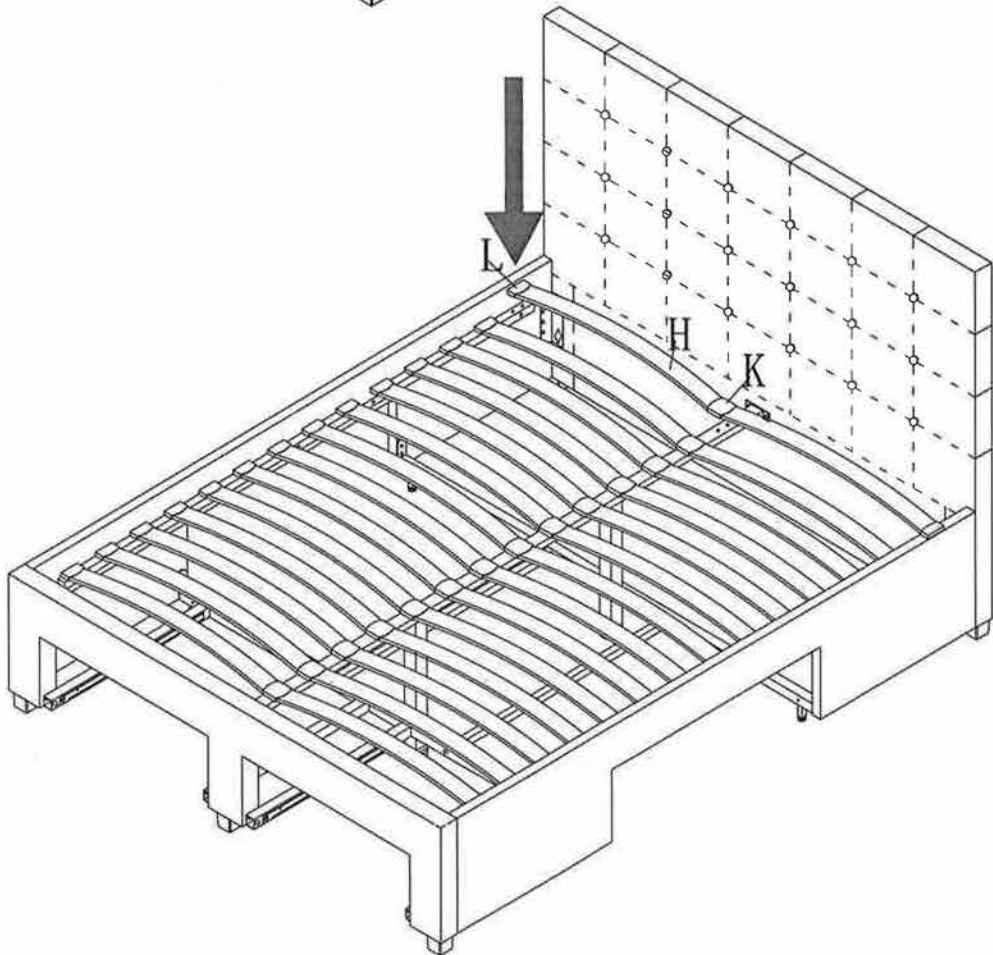
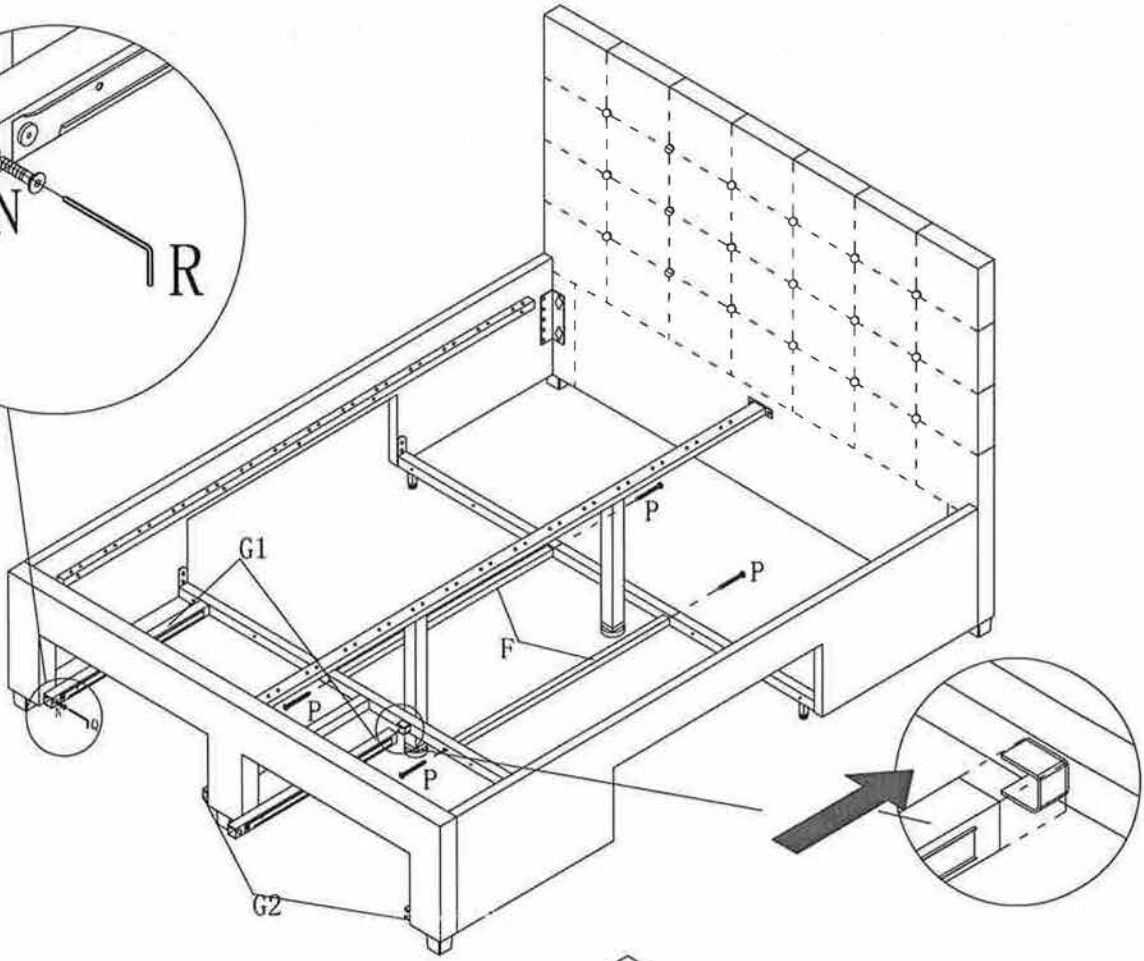
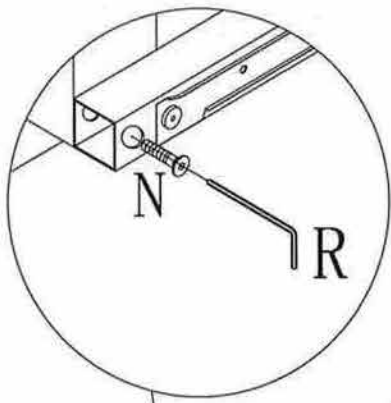
S*1PC




T*5PCS







V  16pcs

Bolt M6x30

T  1pcs

Allen key M6

W  8pcs

screw 5 x 25mm

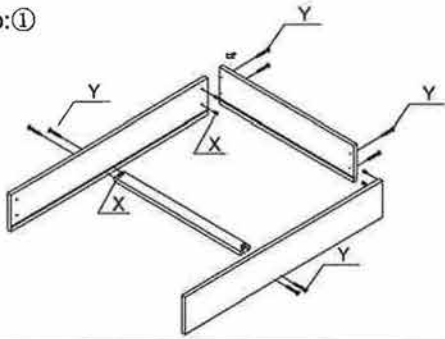
X  48pcs

Plastic plug

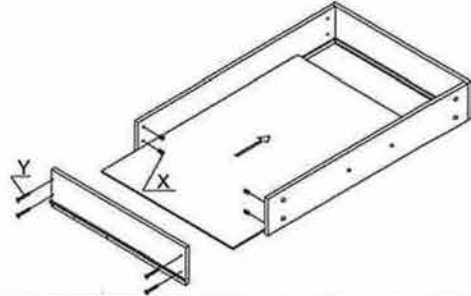
Y  48pcs

screw 5 x 50mm

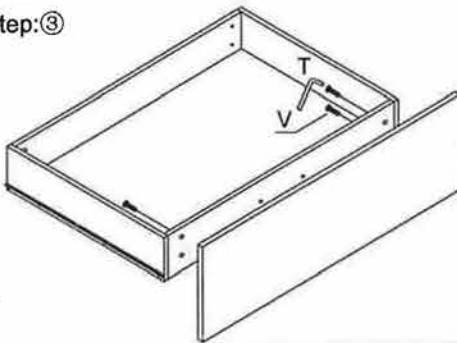
Step:①



Step:②



Step:③



Step:④

