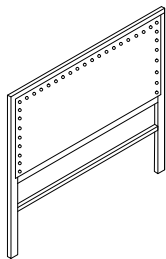
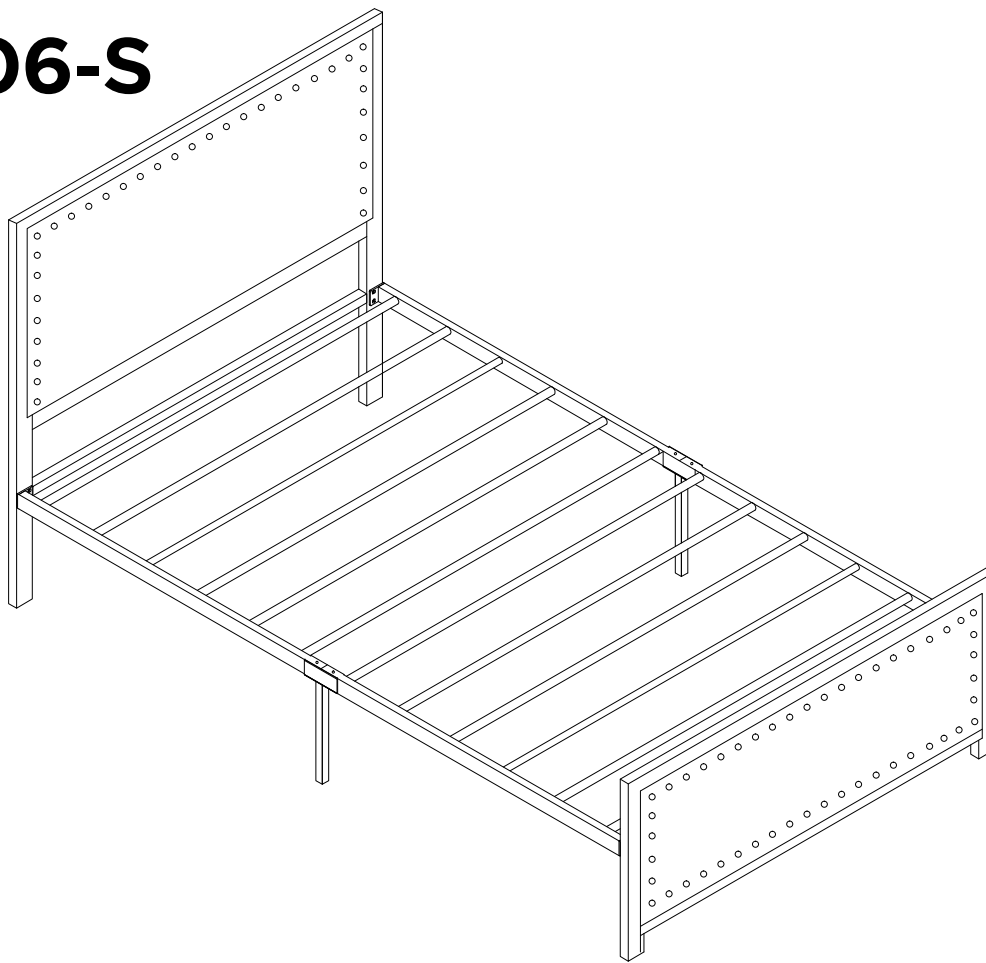
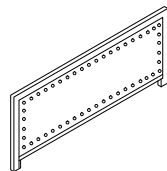


ASSEMBLY INSTRUCTIONS

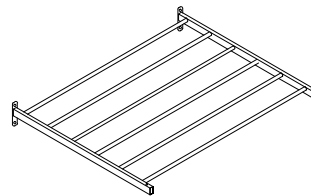
T2206-S



A*1PC



B*1PC



C*2PCS



D*2PCS

E*4PCS



M8*50MM

F*8PCS



1/4" * 16MM

G*4PCS



M8

H*1PC



4M

I*1PC



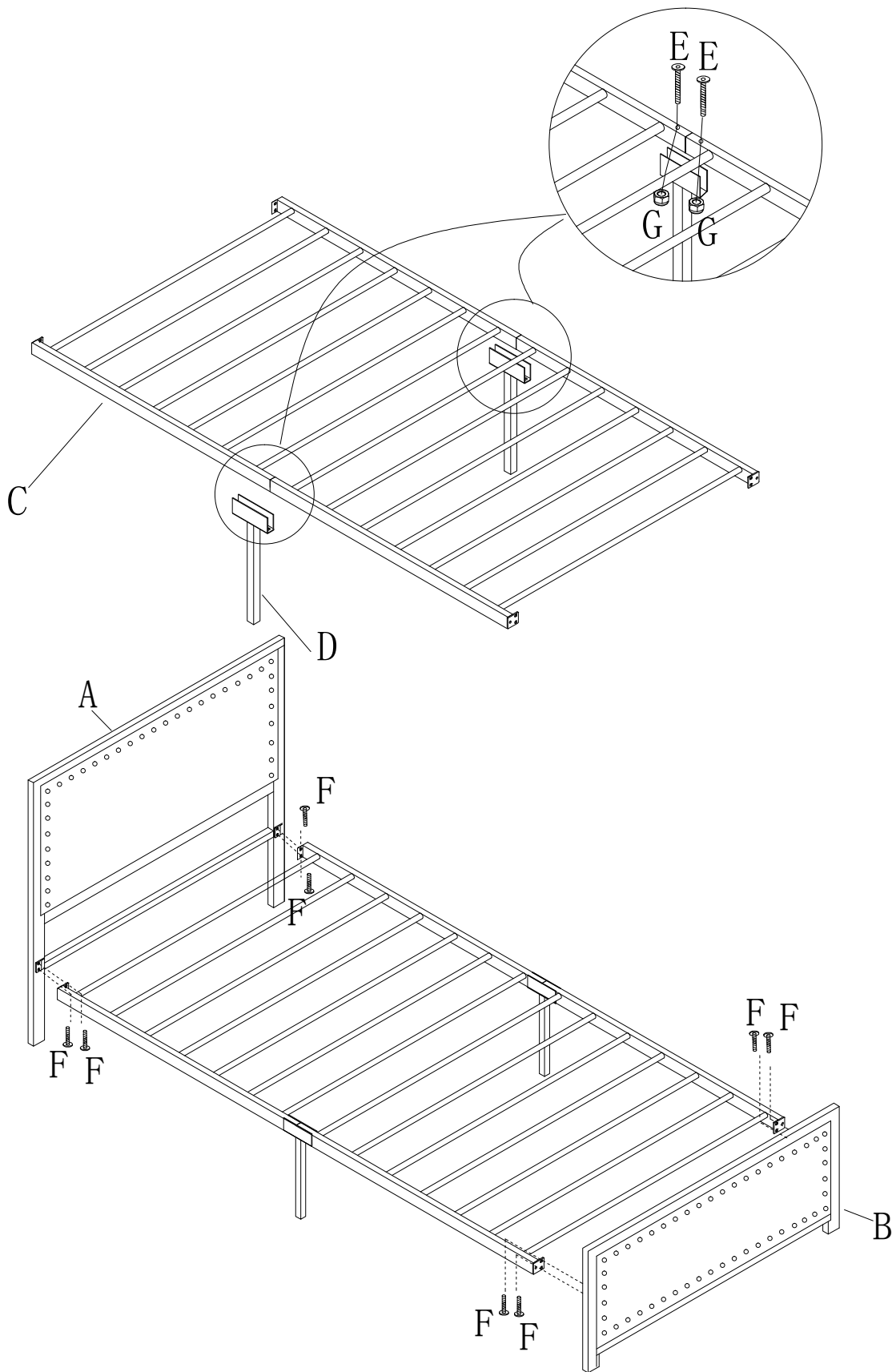
5M

J*1PC



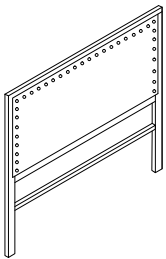
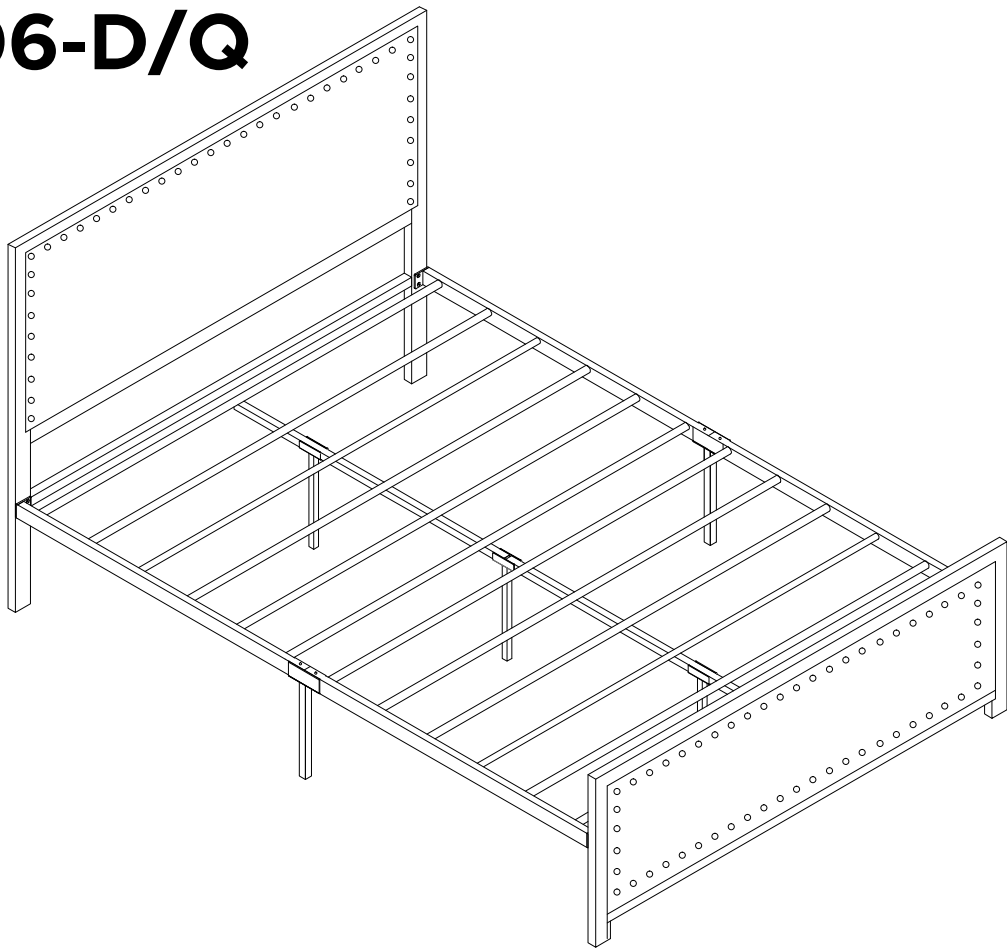
M8

Note: Pls do not tighten all bolts until the bed is assembled completely

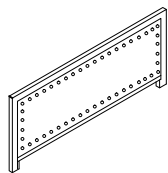


ASSEMBLY INSTRUCTIONS

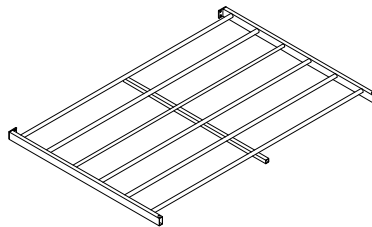
T2206-D/Q



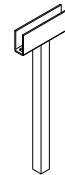
A*1PC



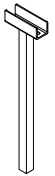
B*1PC



C*2PCS



D*2PCS



E*3PCS

F*8PCS



1/4"*16MM

G*4PCS



M8*50MM

H*6PCS



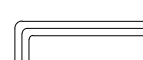
1/4"*25MM

I*4PCS



M8

J*1PC



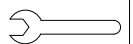
5M

K*1PC



4M

L*1PC



Note: Pls do not tighten all bolts until the bed is assembled completely

