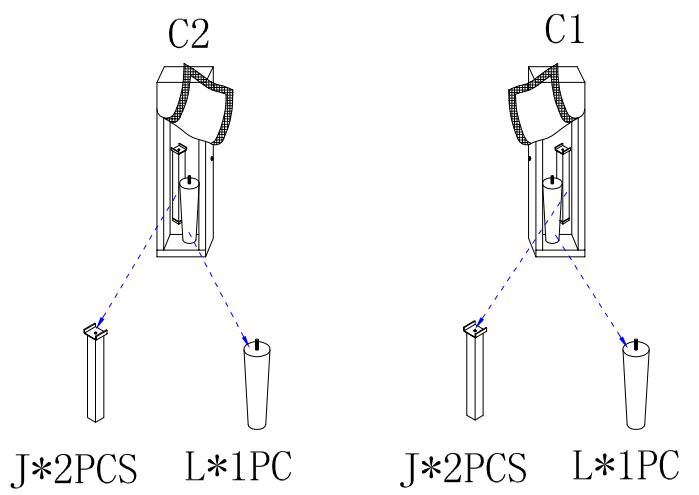

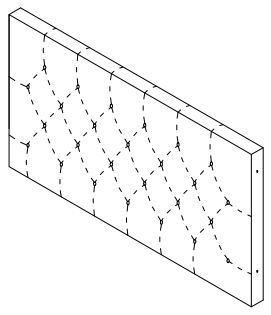


# ASSEMBLY INSTRUCTIONS

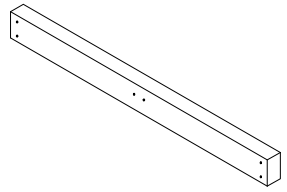
## T2352-D



 Please note that part J & L are in part C1 & C2.



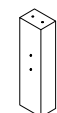
A\*1PC



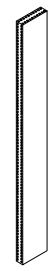
B\*1PC



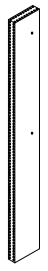
C1\*1PC



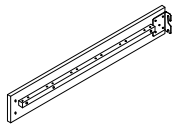
C2\*1PC



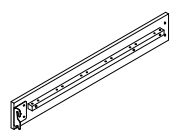
D1\*1PC



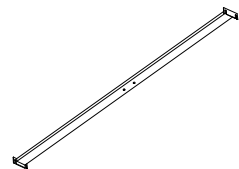
D2\*1PC



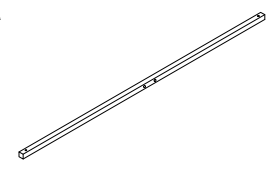
E1\*2PCS



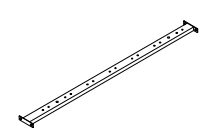
E2\*2PCS



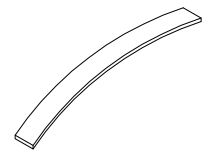
F\*1PC



G\*1PC



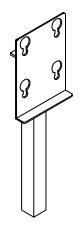
H\*2PCS



I\*24PCS



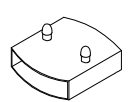
J\*4PCS



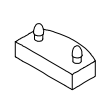
K\*2PCS



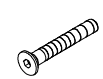
L\*2PCS



M\*12PCS



N\*24PCS



O\*12PCS



P\*20PCS



Q\*8PCS



R\*2PCS



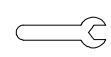
S\*8PCS



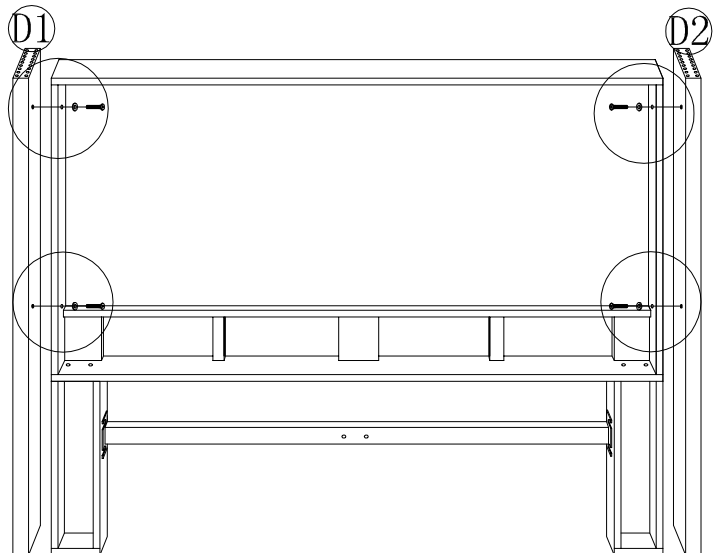
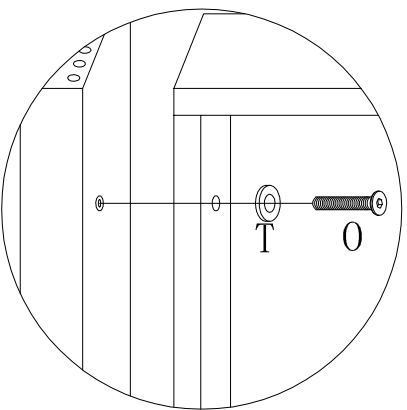
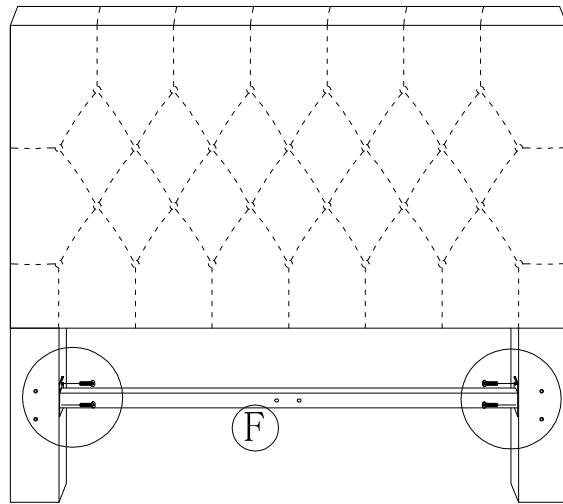
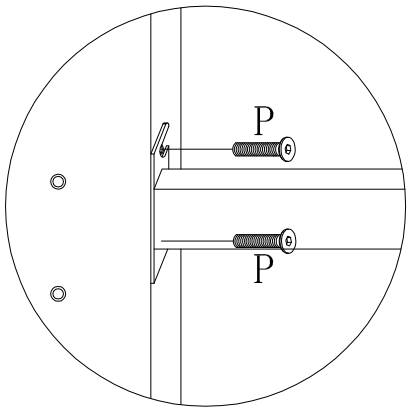
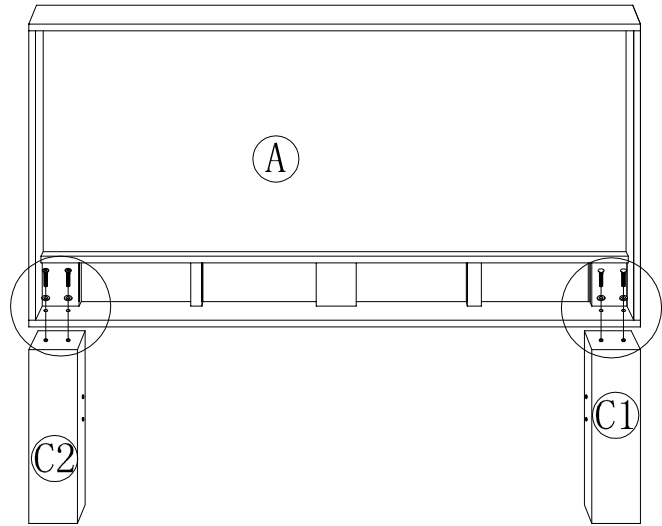
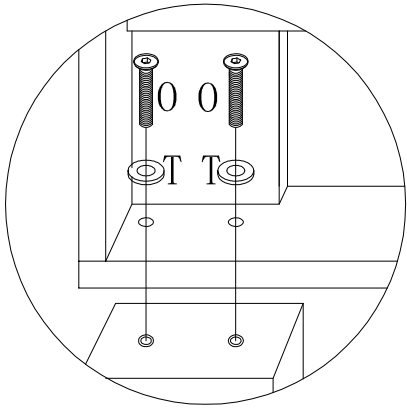
T\*14PCS

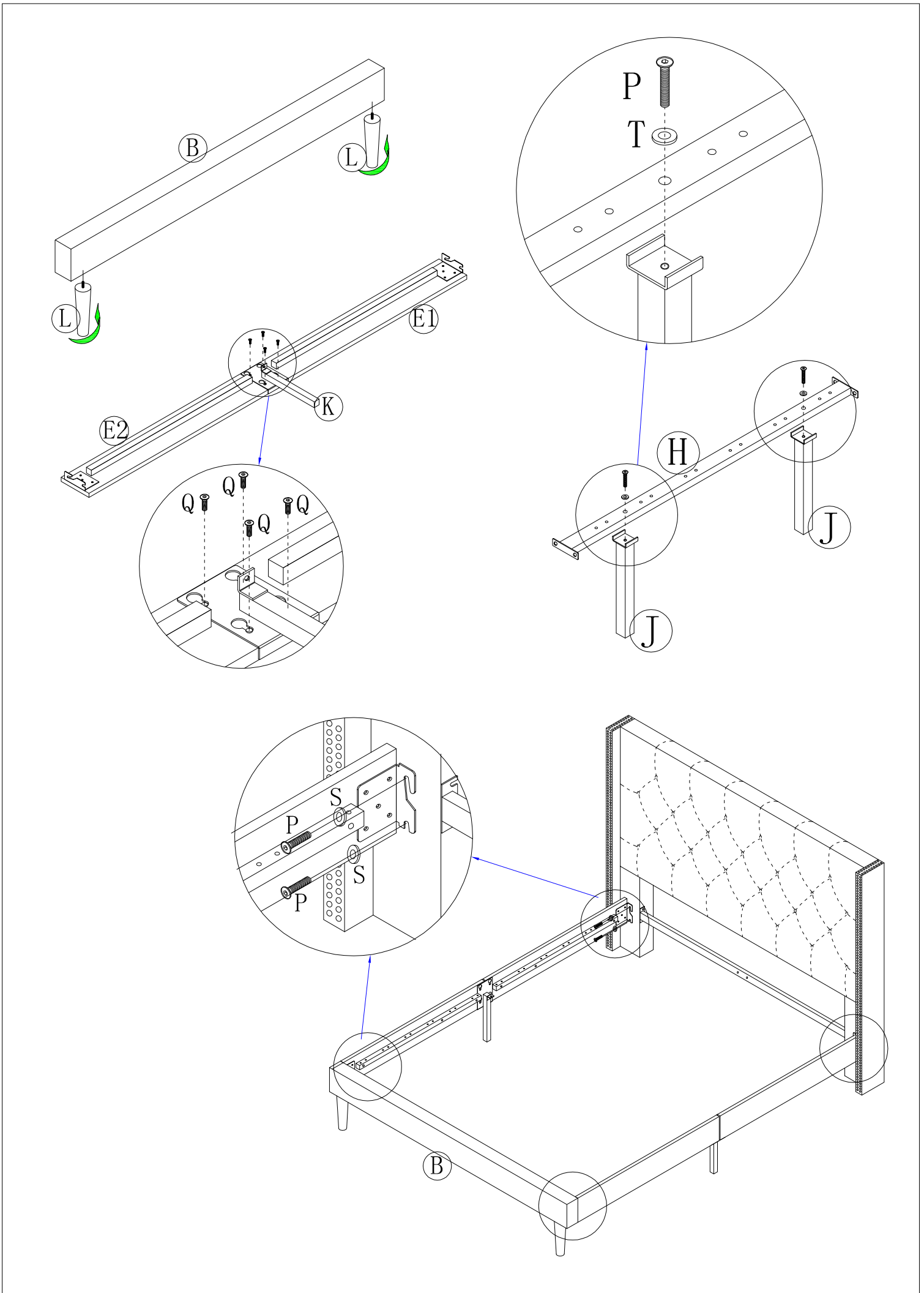


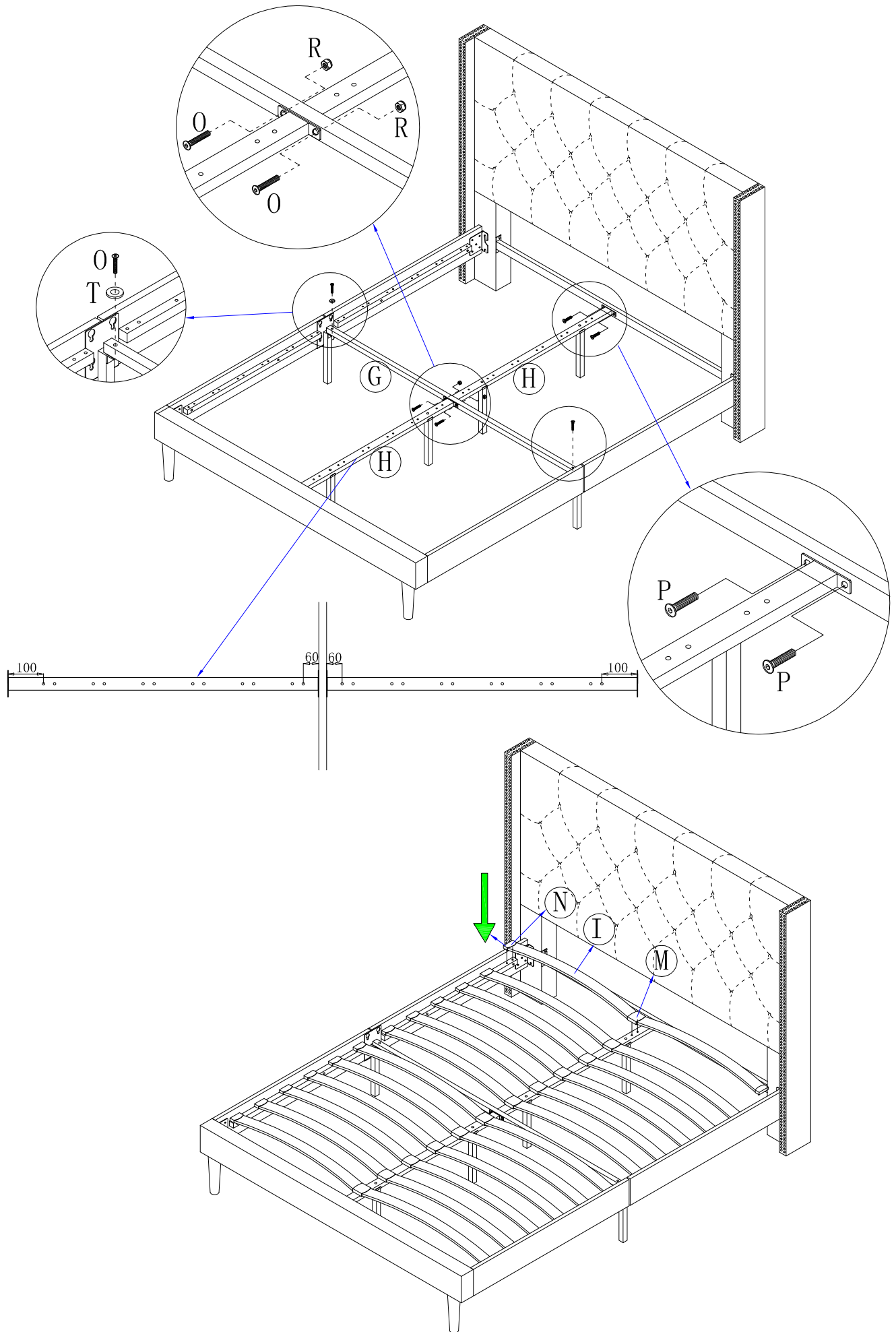
U\*1PCS



V\*1PC

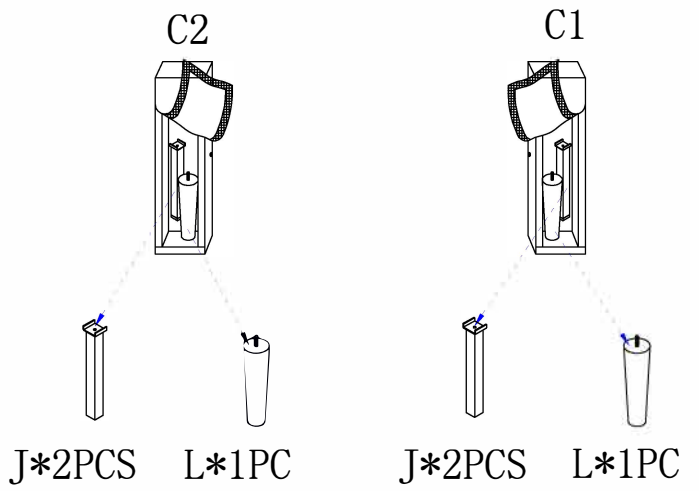




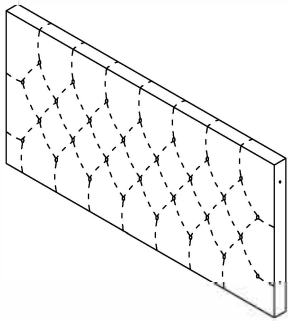


# ASSEMBLY INSTRUCTIONS

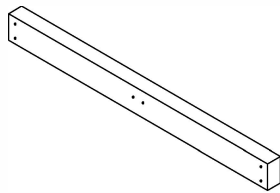
## T2352-Q



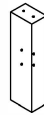
Please note that part J & L are in part C1 & C2.



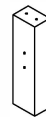
A\*1PC



B\*1PC



C1\*1PC



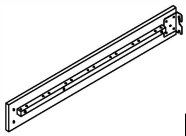
C2\*1PC



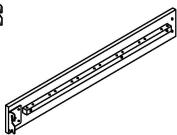
D1\*1PC



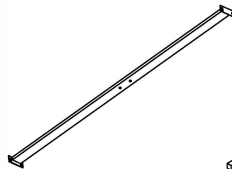
D2\*1PC



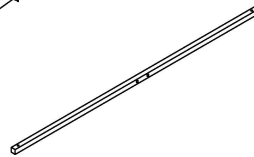
E1\*2PCS



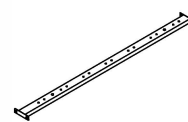
E2\*2PCS



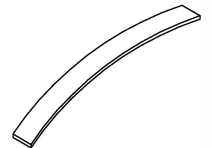
F\*1PC



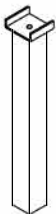
G\*1PC



H\*2PCS



I\*28PCS



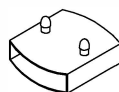
J\*4PCS



K\*2PCS



L\*2PCS



M\*14PCS



N\*28PCS



M8\*45MM



M8\*30MM

O\*12PCS

P\*20PCS



M8\*18MM

Q\*8PCS



M8

R\*2PCS



M8\*∅17MM

S\*8PCS



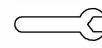
M8\*∅22MM

T\*14PCS



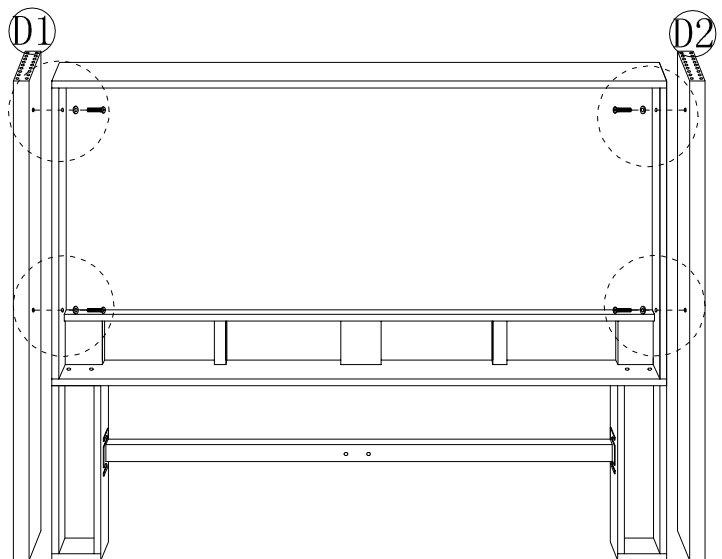
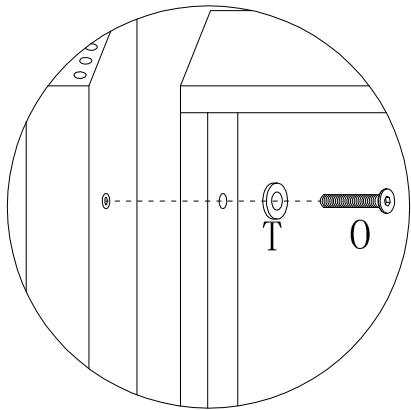
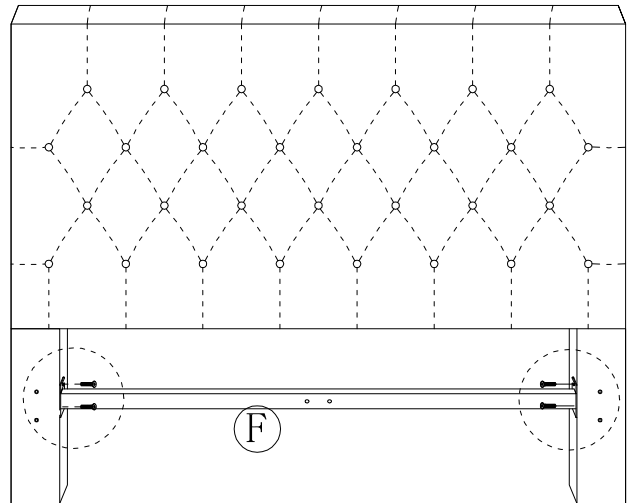
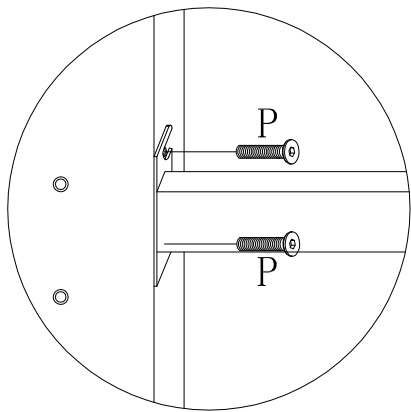
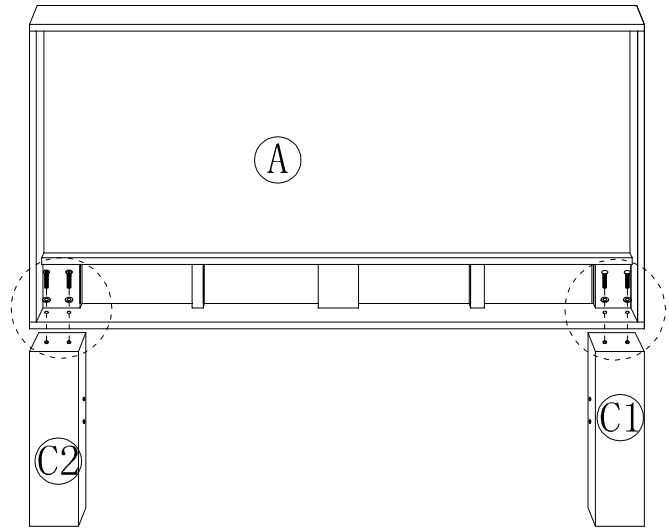
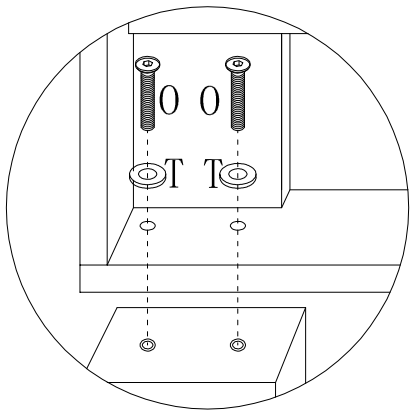
M8

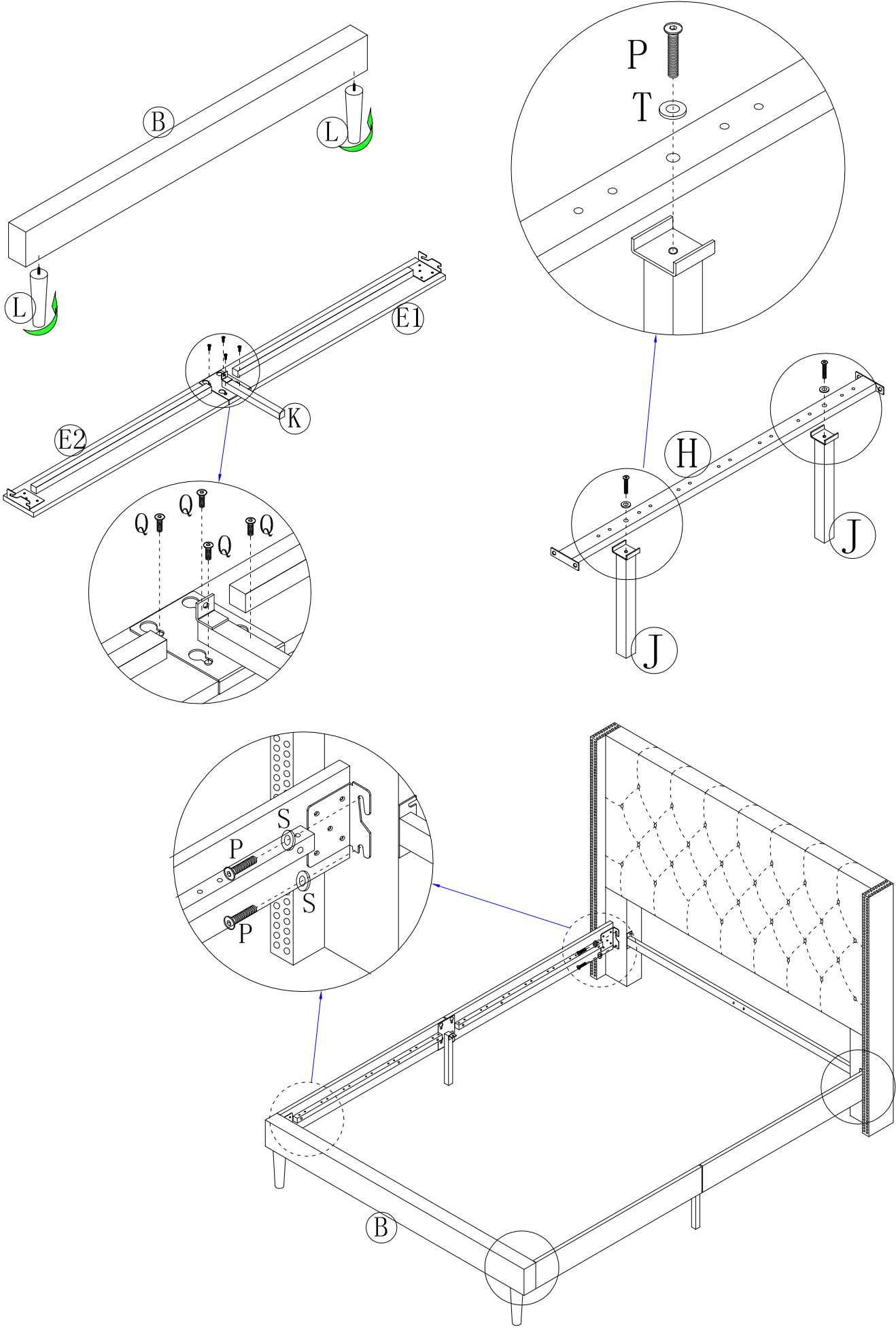
U\*1PCS

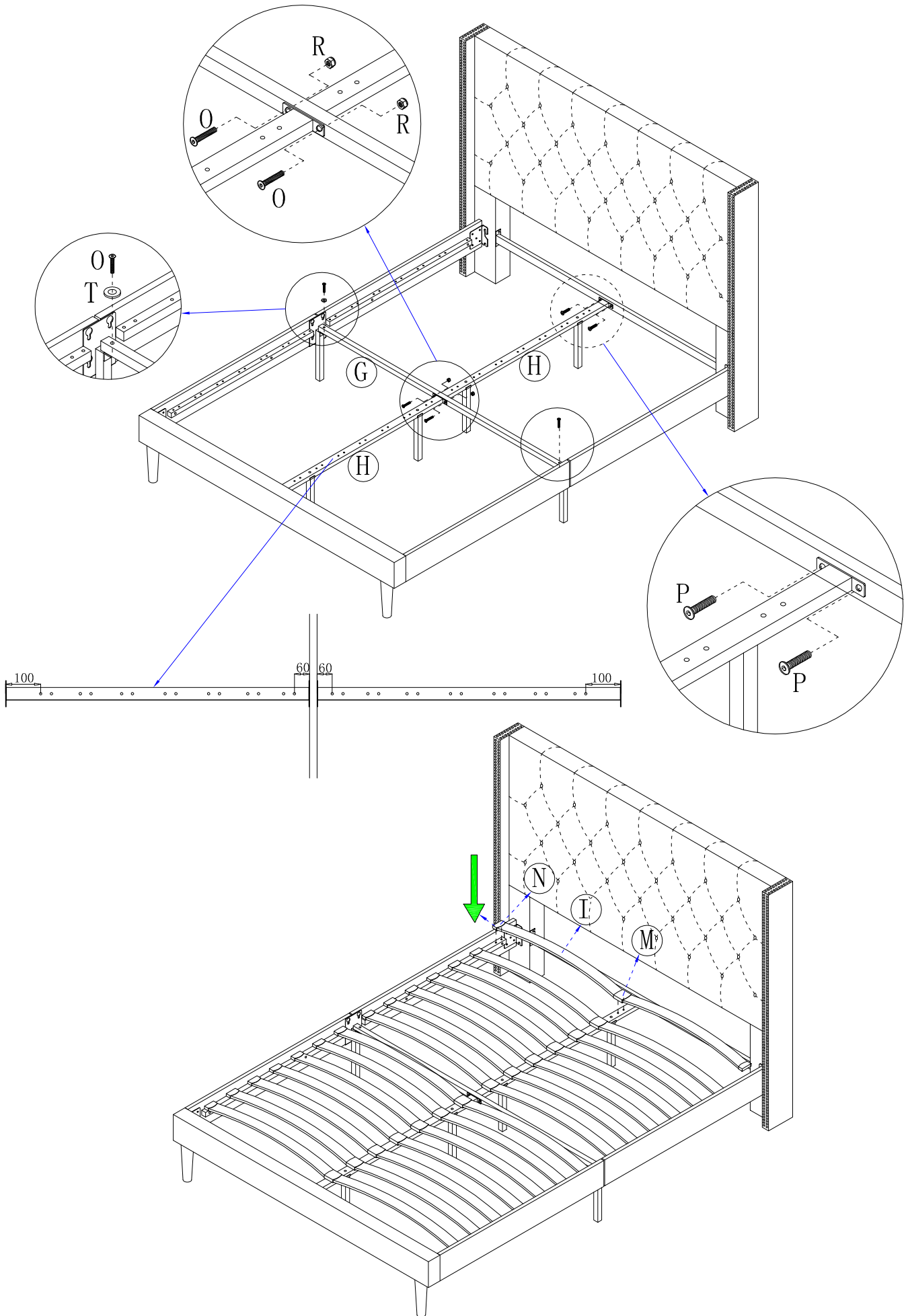


M13

V\*1PC



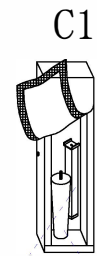
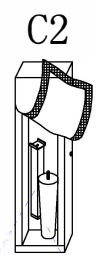
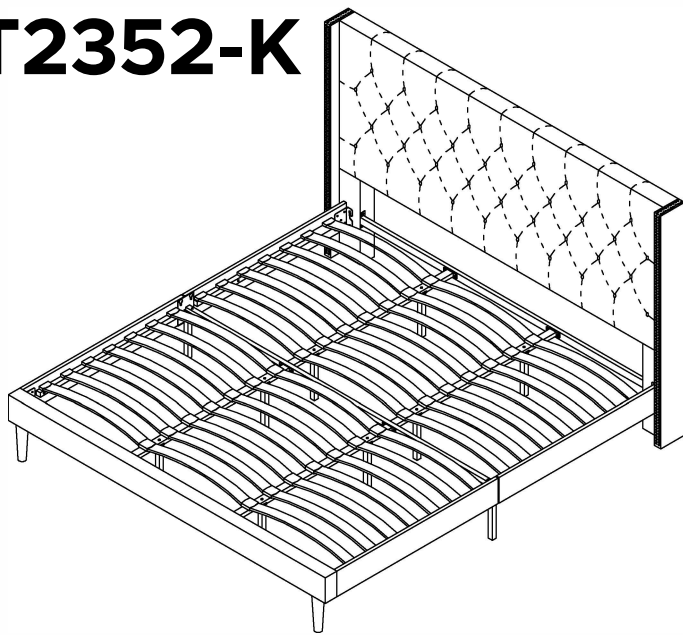






# ASSEMBLY INSTRUCTIONS

## T2352-K



J\*2PCS L\*1PC      J\*2PCS L\*1PC

Please note that part J & L are in part C1 & C2.

