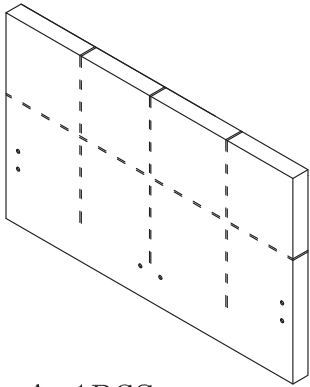
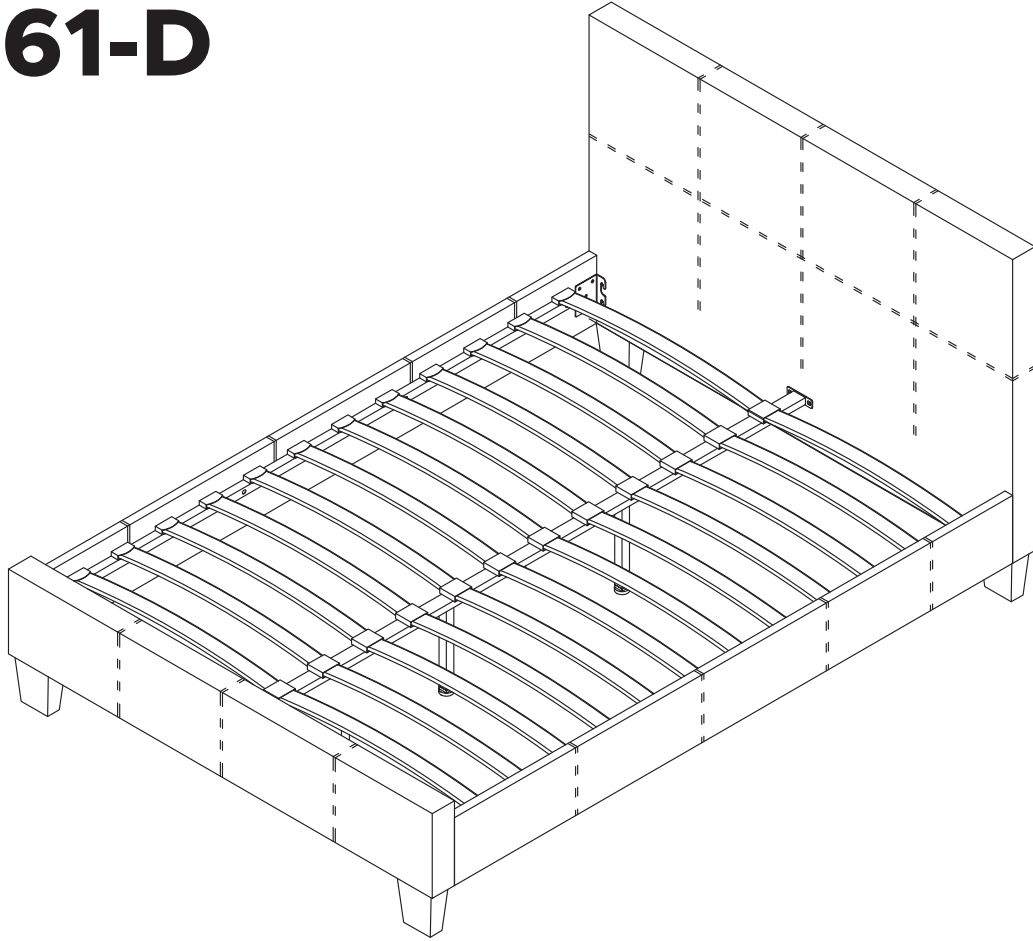
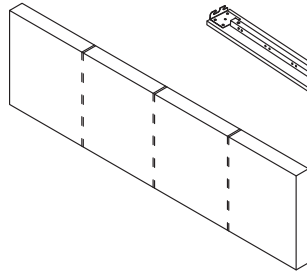


ASSEMBLY INSTRUCTIONS

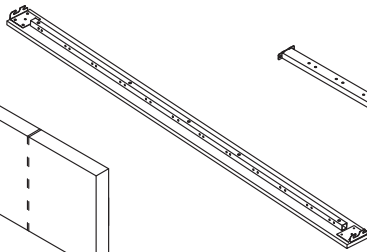
T-2361-D



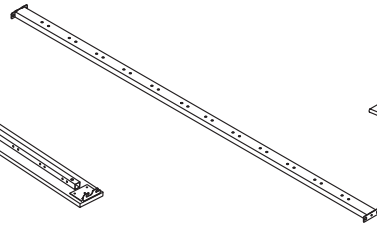
A*1PCS



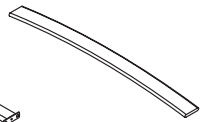
B*1PCS



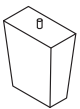
C*2PCS



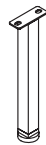
D*1PCS



E*24PCS



F*4PCS



G*2PCS



H*12PCS



I*24PCS



M8*30MM

J*12PCS

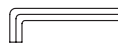


1/4"*16MM

K*4PCS



L*8PCS



M8

M*1PCS

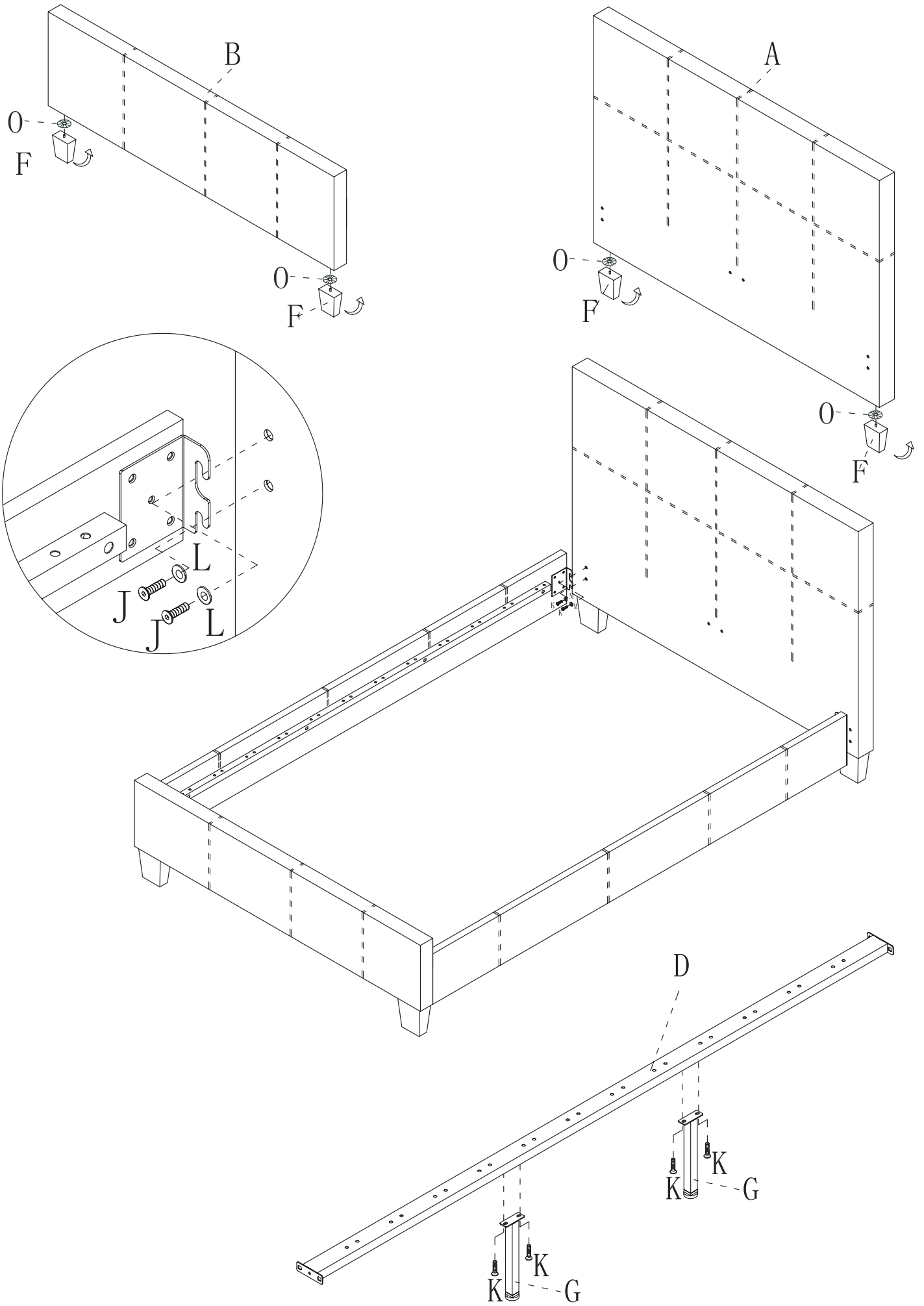


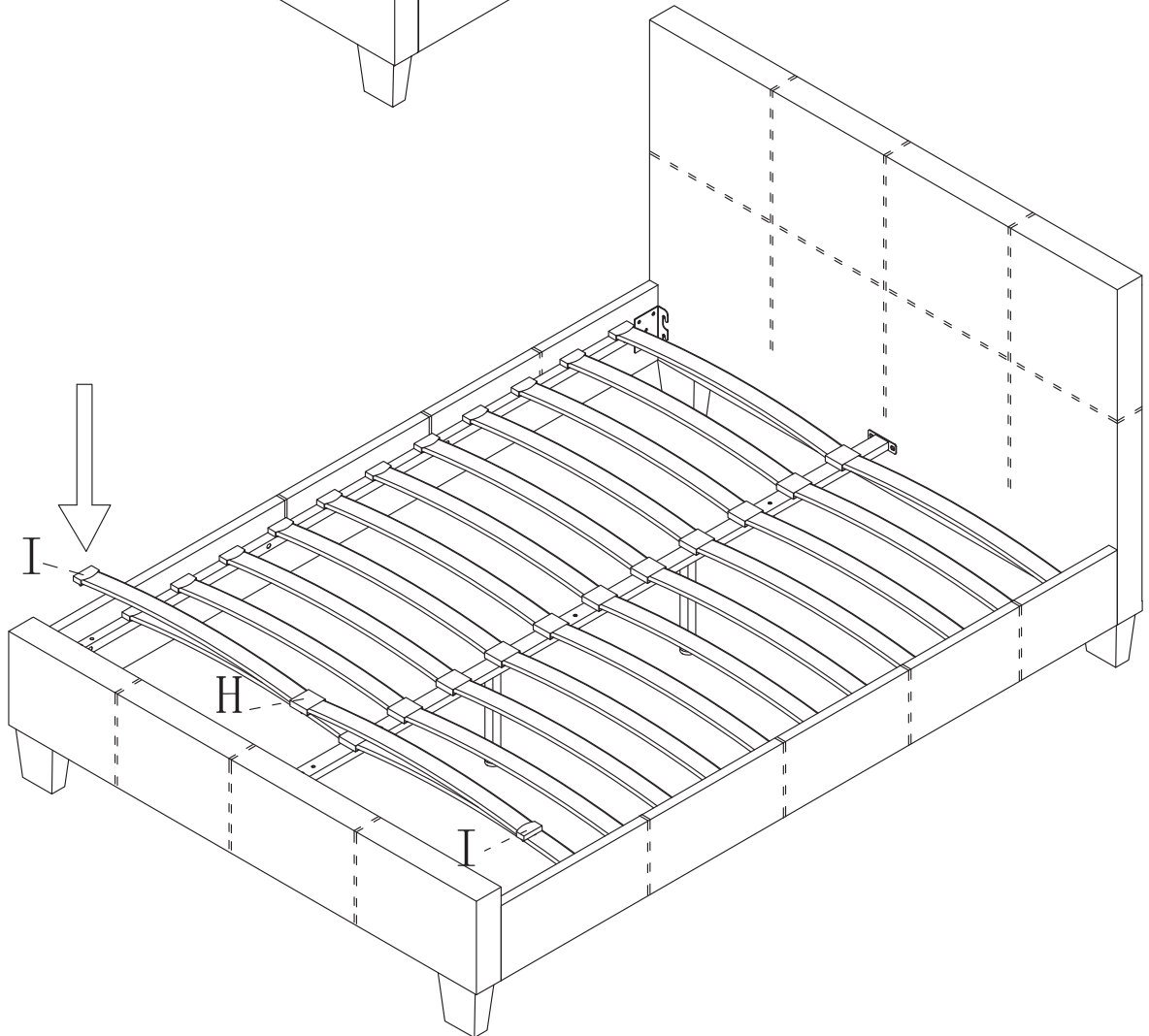
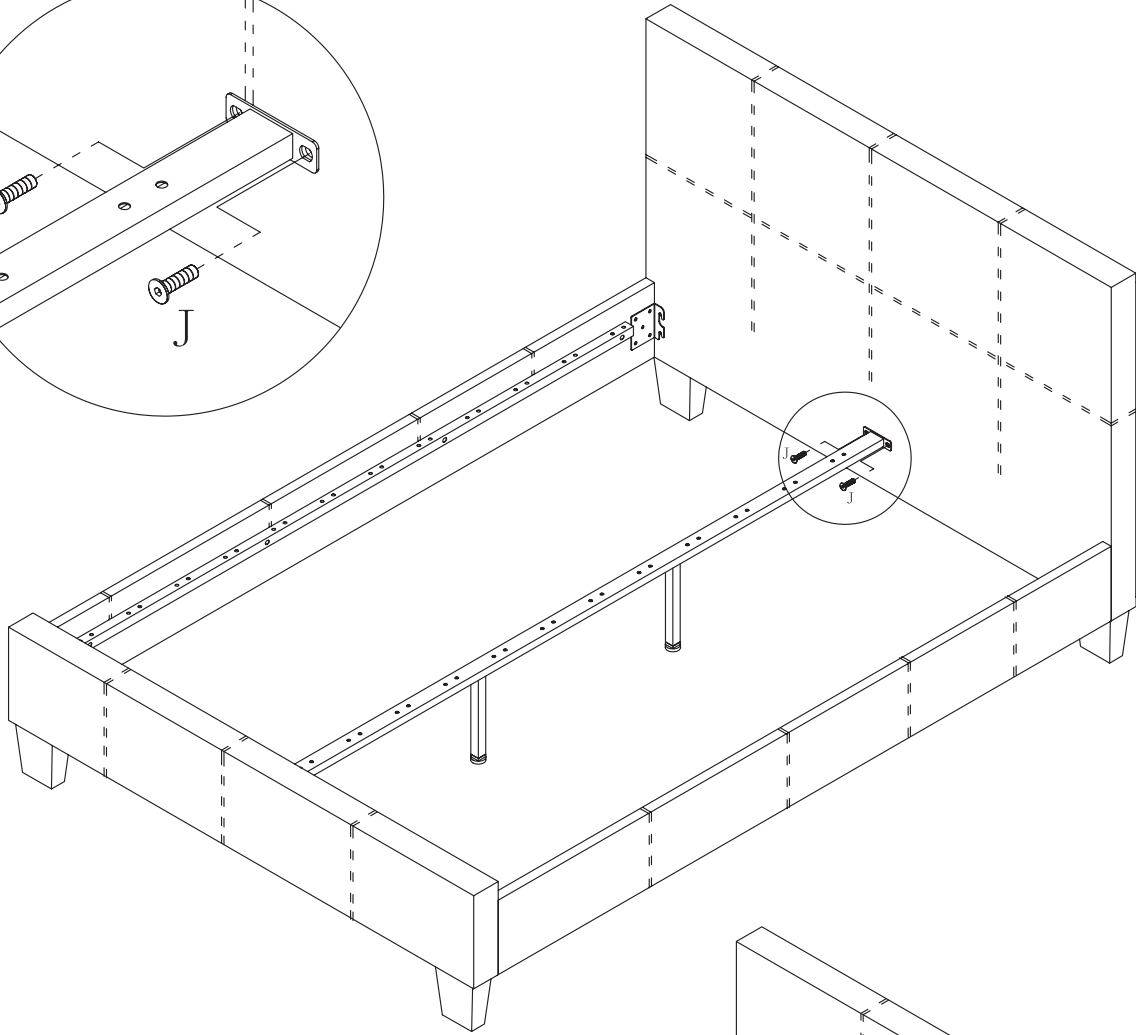
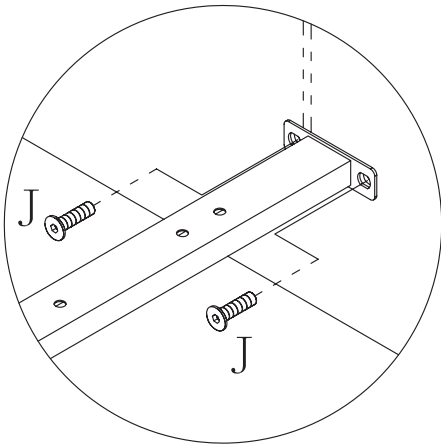
1/4"

N*1PCS



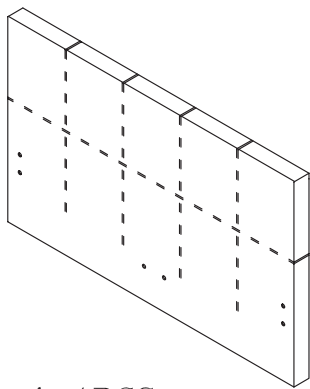
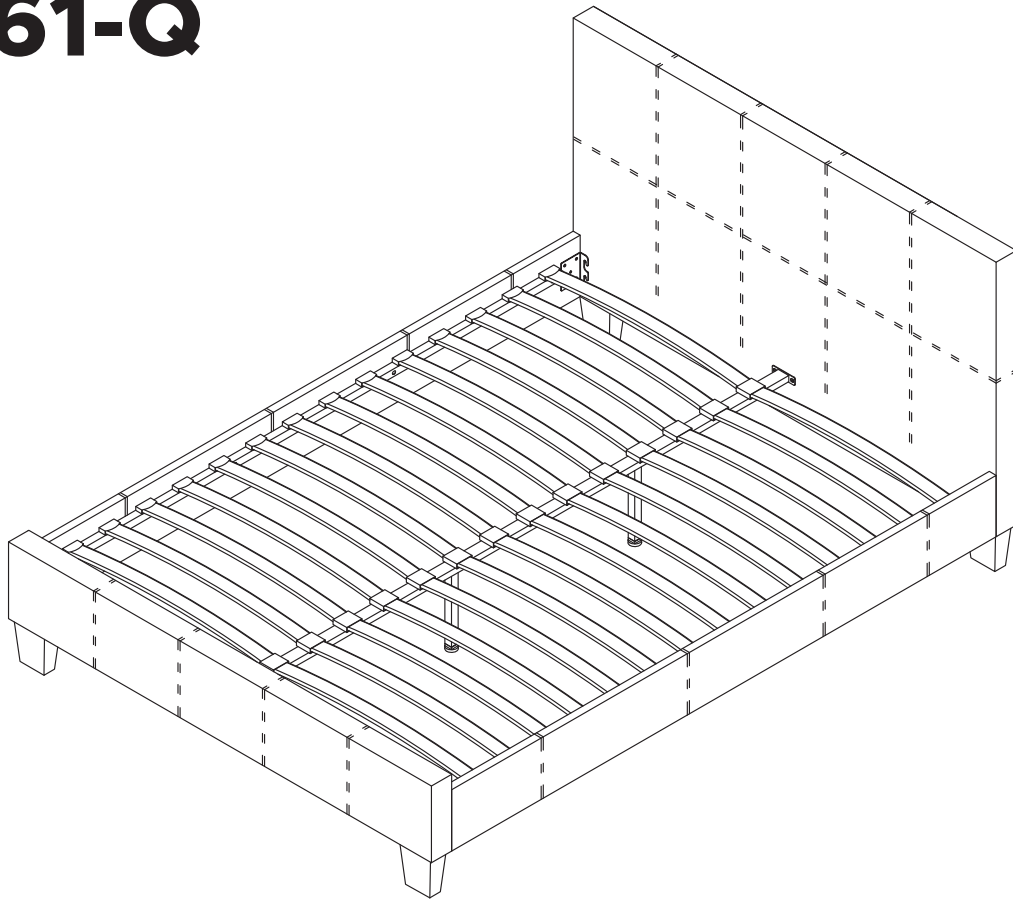
O*4PCS



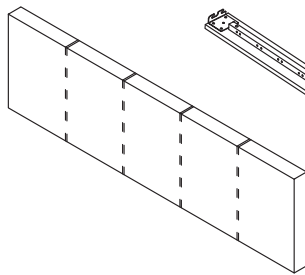


ASSEMBLY INSTRUCTIONS

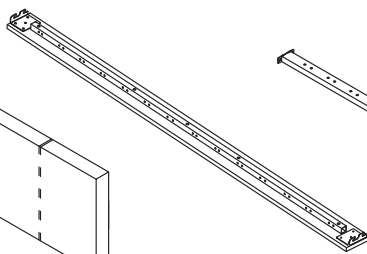
T-2361-Q



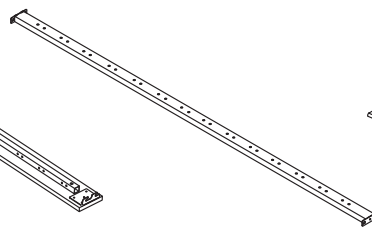
A*1PCS



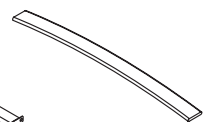
B*1PCS



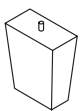
C*2PCS



D*1PCS



E*28PCS



F*4PCS



G*2PCS



H*14PCS



I*28PCS



M8*30MM

J*12PCS

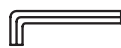


1/4"*16MM

K*4PCS



L*8PCS



M8

M*1PCS

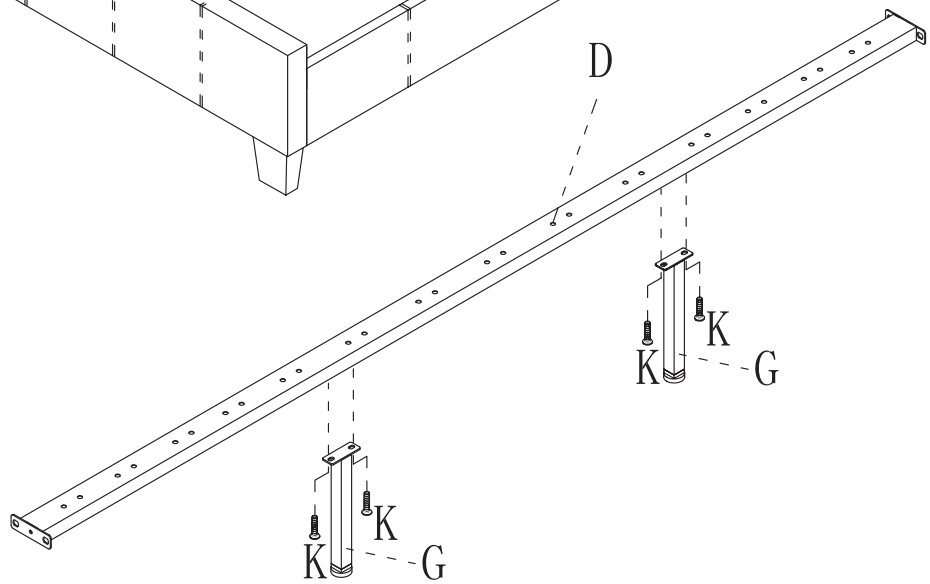
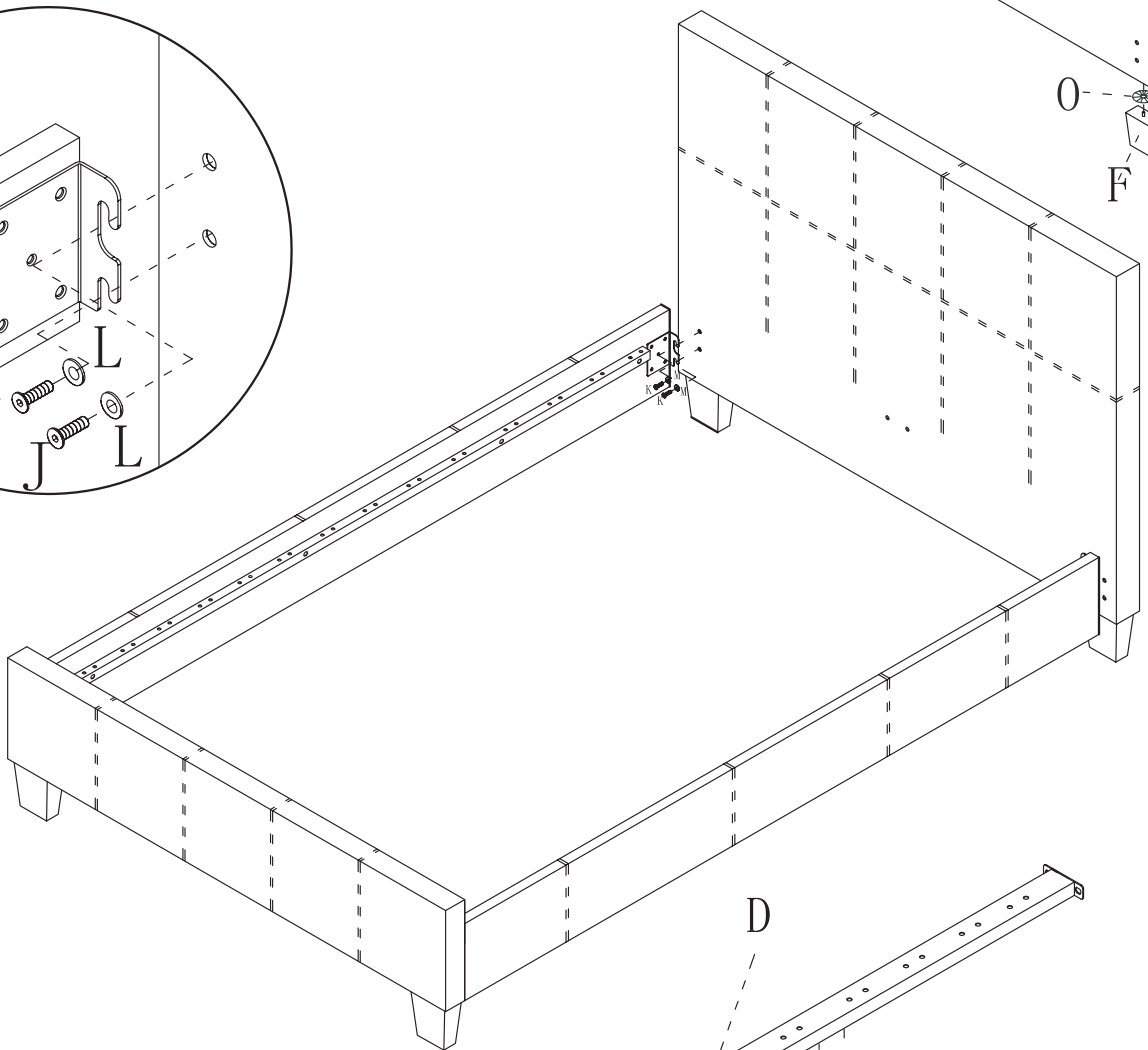
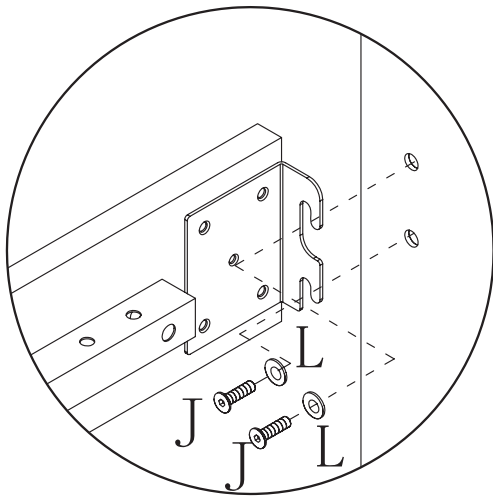
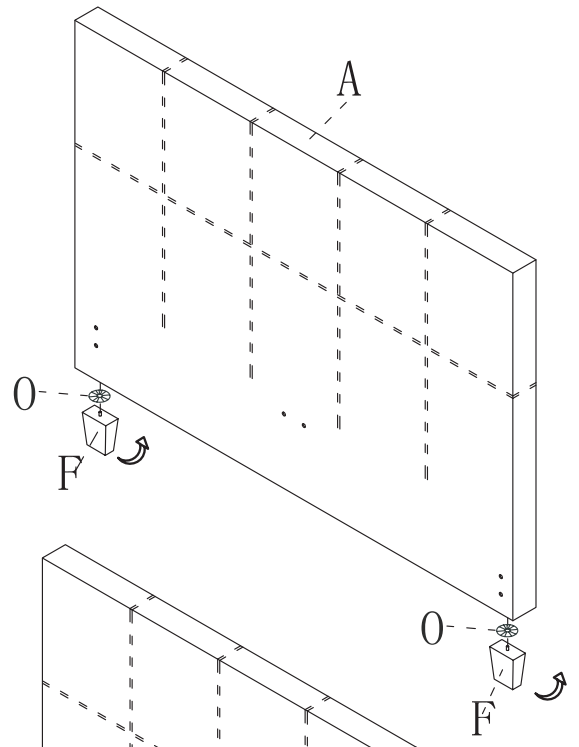
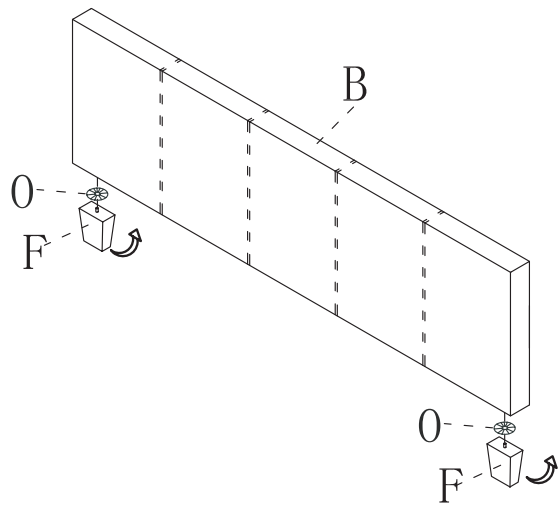


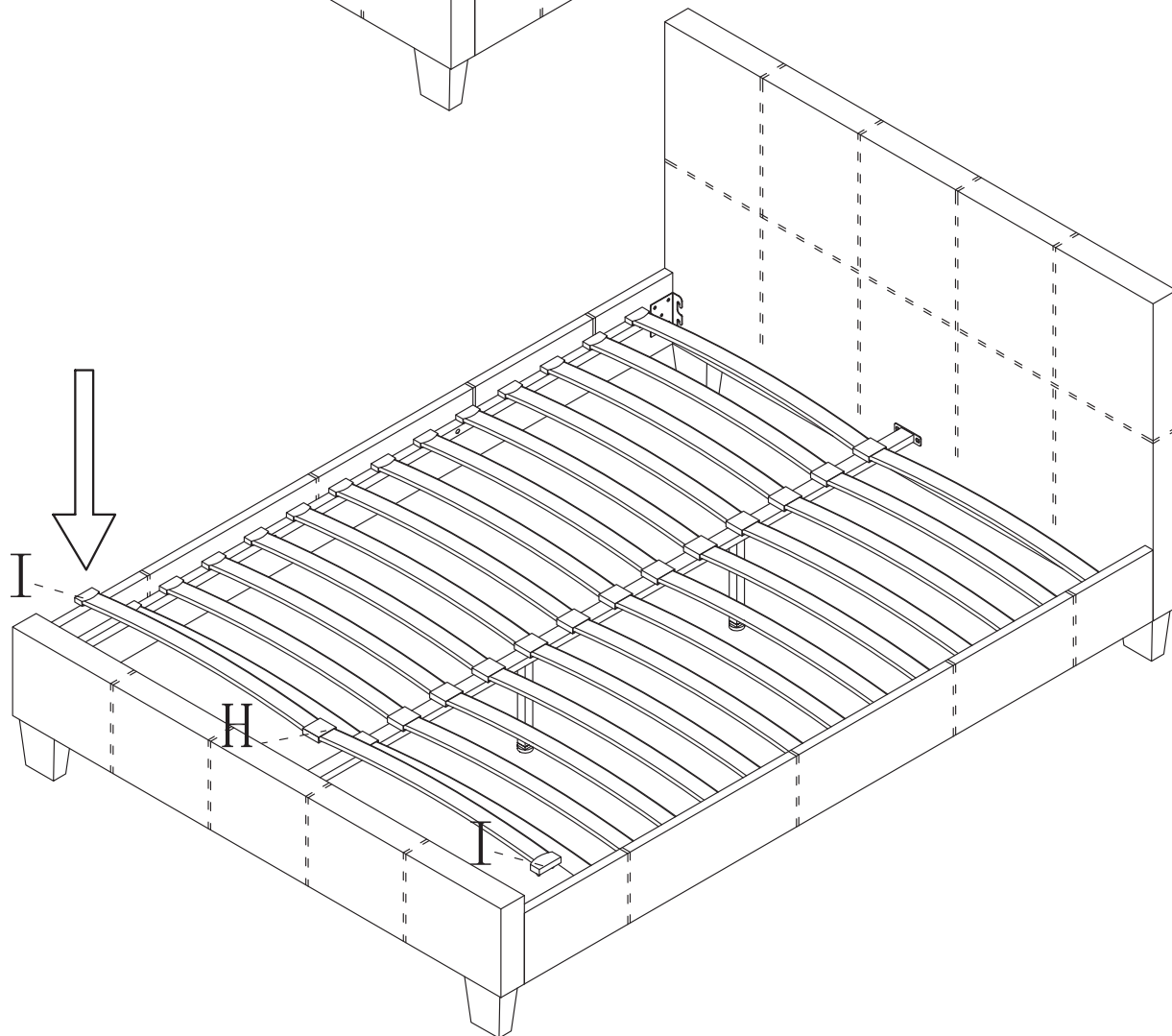
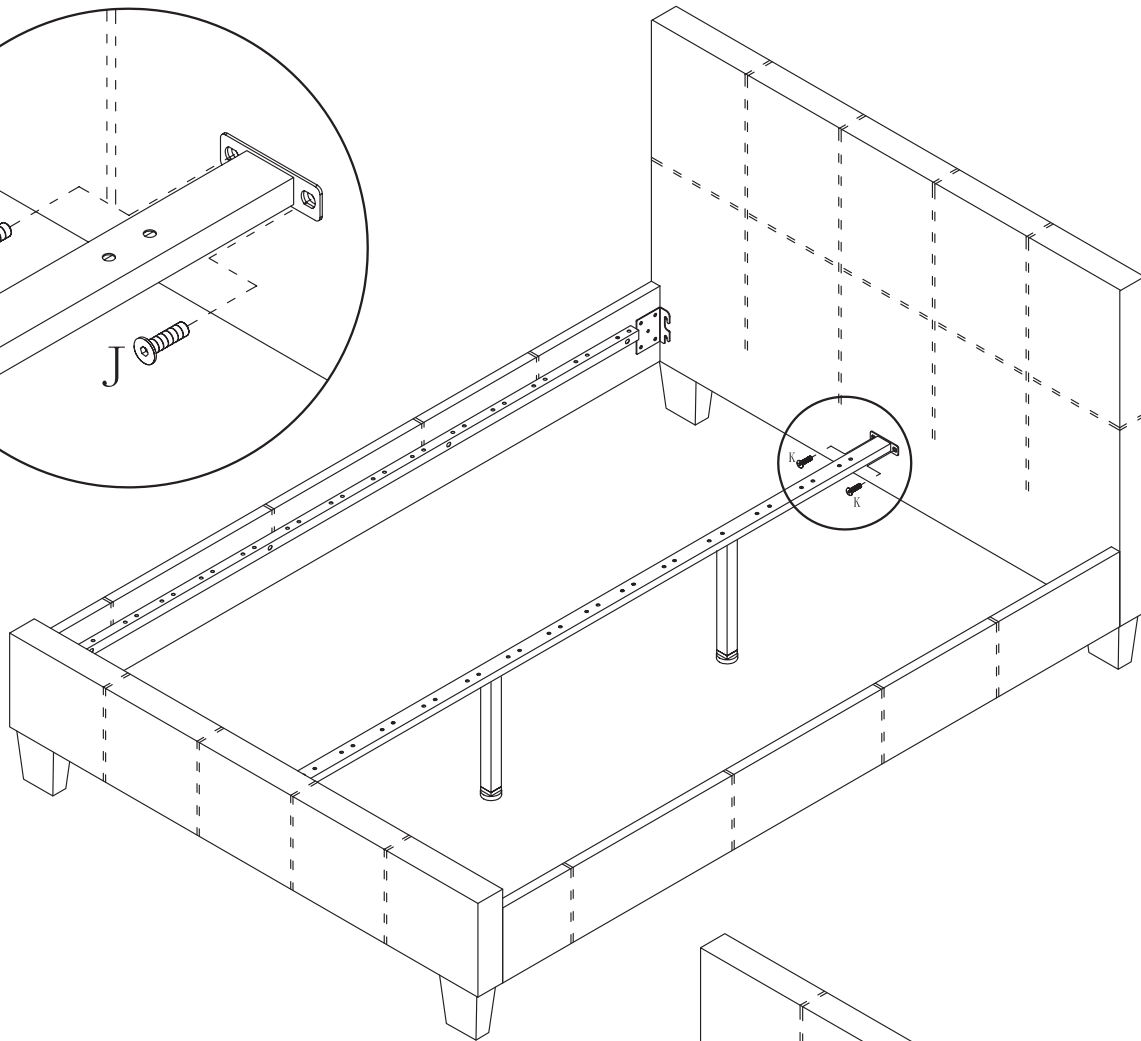
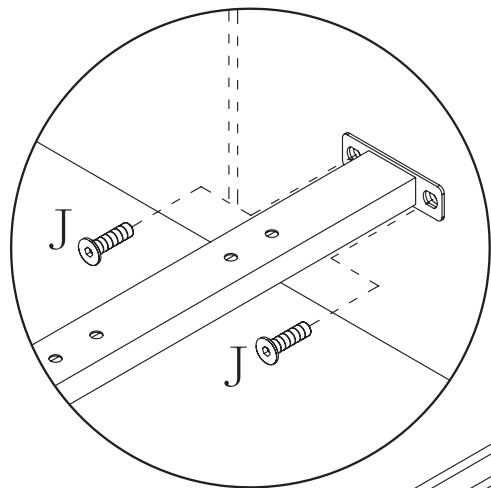
1/4"

N*1PCS



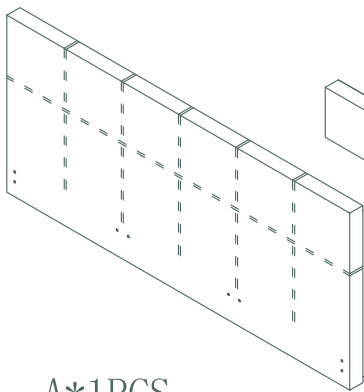
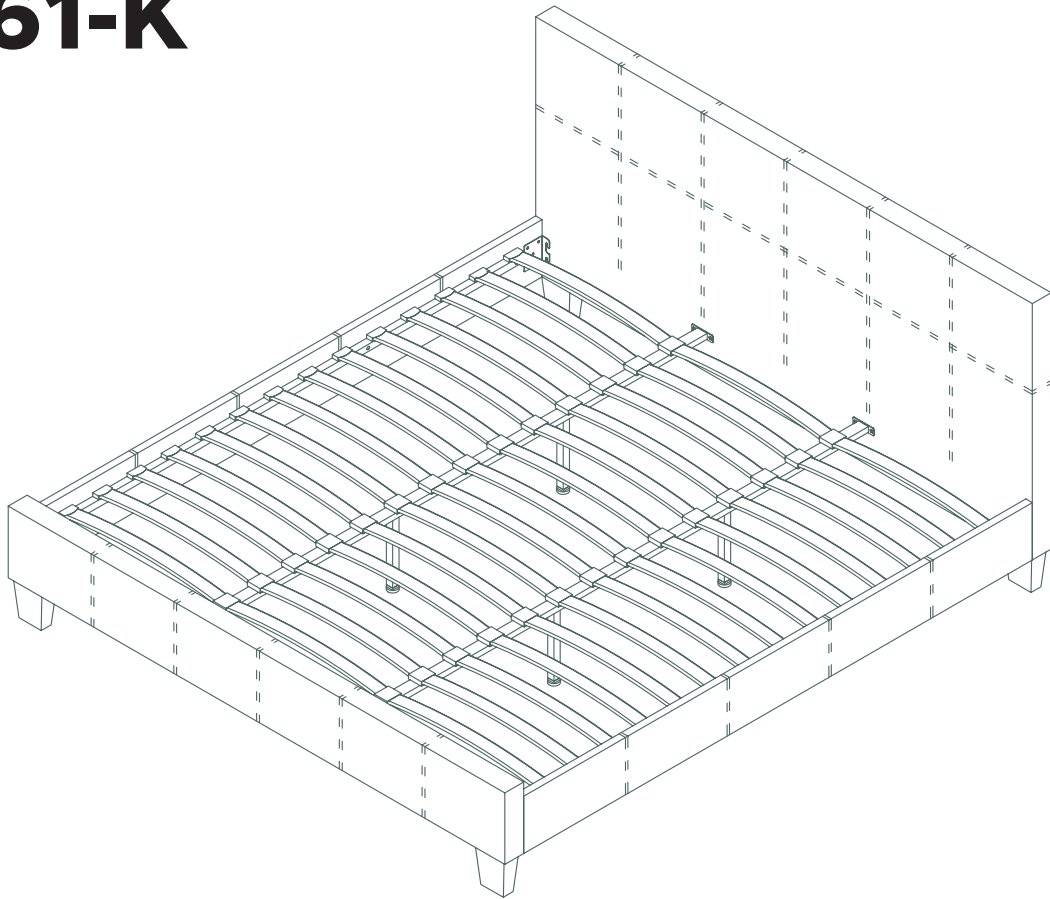
O*4PCS



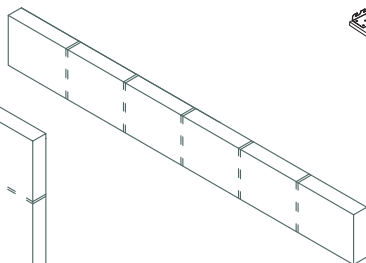


ASSEMBLY INSTRUCTIONS

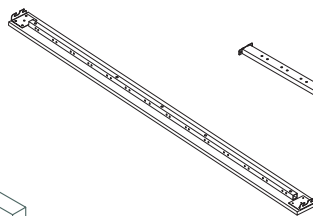
T-2361-K



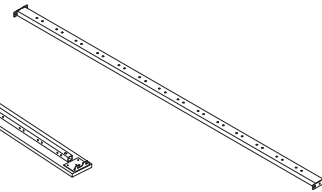
A*1PCS



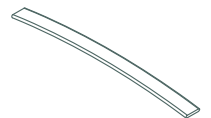
B*1PCS



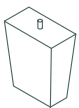
C*2PCS



D*2PCS



E*42PCS



F*4PCS



G*4PCS



H*28PCS



I*28PCS



M8*30MM

J*16PCS



1/4"*16MM

K*8PCS



L*8PCS



M8

M*1PCS



1/4"

N*1PCS



O*4PCS

