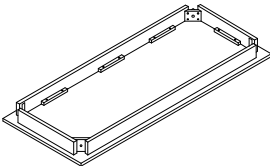

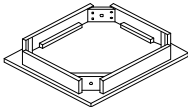



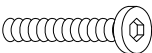



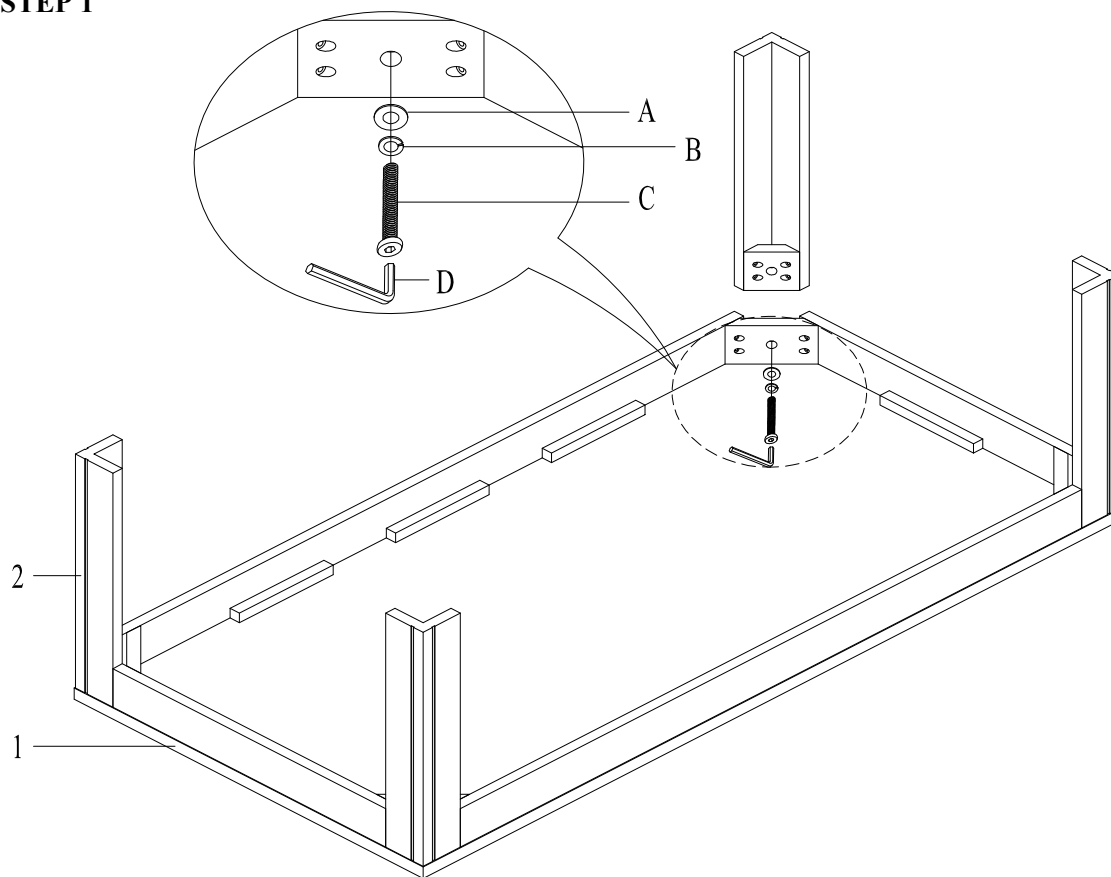
**IDENTIFICATION DES PIÈCES**  
**PARTS IDENTIFICATION**

<b>1</b>		<p>DESSUS DE TABLE (GRANDE) TABLE TOP (BIG)</p>	<p>1MC / PC</p>
<b>2</b>		<p>PATTE (COURT) LEG (SHORT)</p>	<p>4MCX / PCS</p>
<b>3</b>		<p>DESSUS DE TABLE (PETITE) TABLE TOP (SMALL)</p>	<p>2MCX / PCS</p>
<b>4</b>		<p>PATTE (LONG) LEG (LONG)</p>	<p>8MCX / PCS</p>

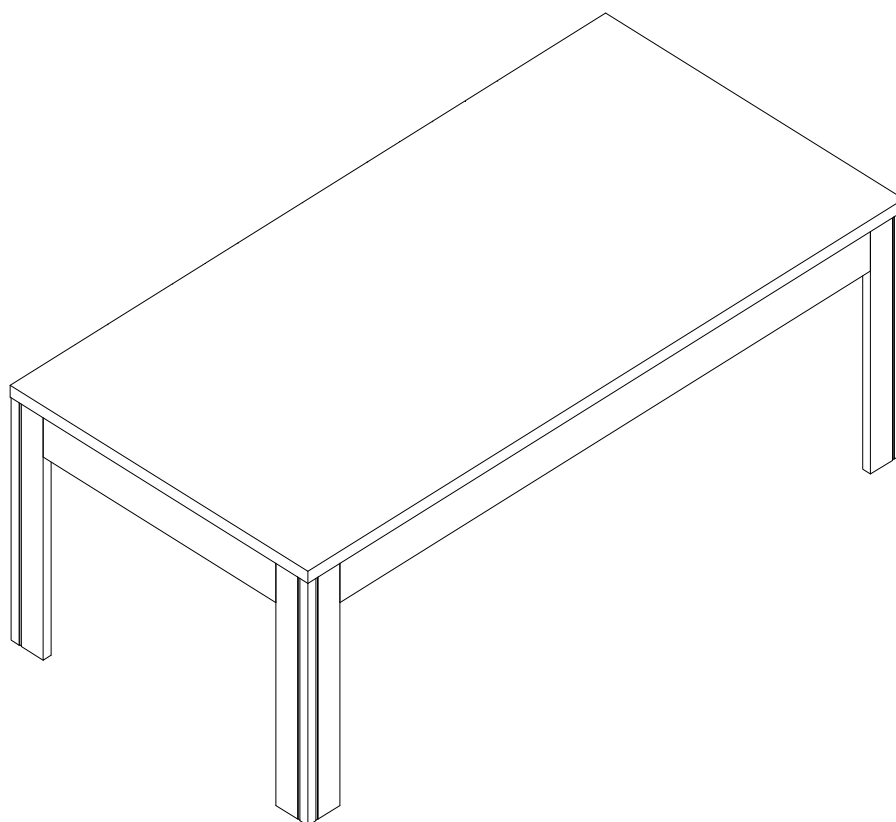
**IDENTIFICATION DES PIÈCES DE MONTAGE**  
**HARDWARE IDENTIFICATION**

<b>A</b>		<p>Ø 5/16X22mm</p>	<p>12MCX / PCS</p>
<b>B</b>		<p>Ø 5/16</p>	<p>12MCX / PCS</p>
<b>C</b>		<p>Ø 5/16X2-1/4"</p>	<p>12MCX / PCS</p>
<b>D</b>		<p>5mm</p>	<p>1MC / PC</p>

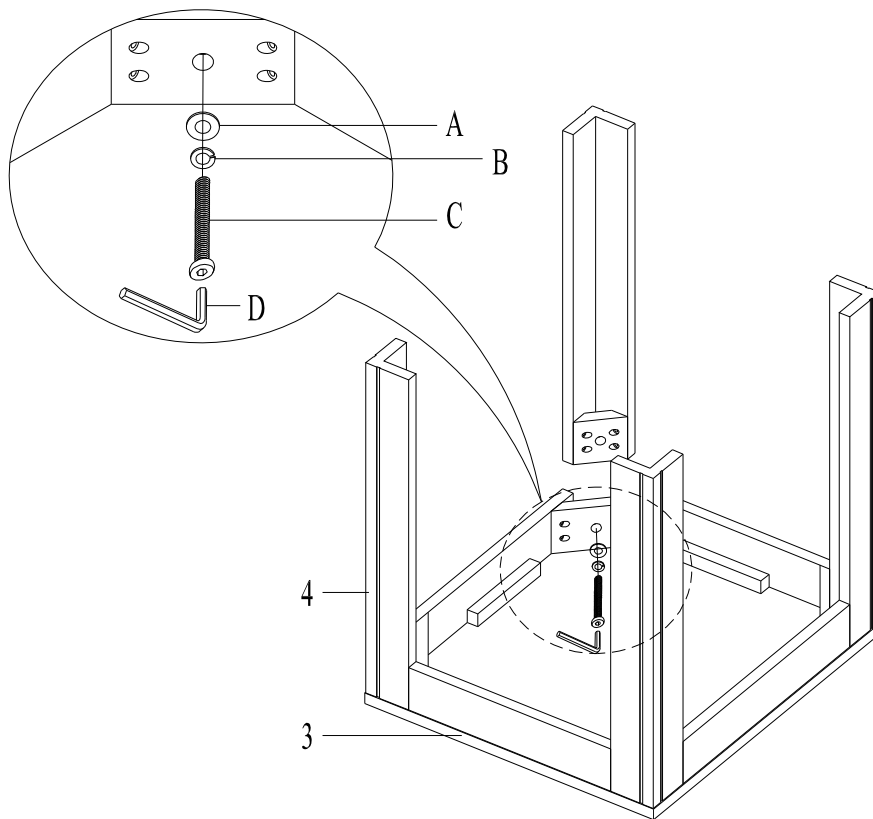
ÉTAPE / STEP 1



ÉTAPE / STEP 2



ÉTAPE / STEP 3



ÉTAPE / STEP 4

