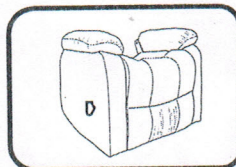


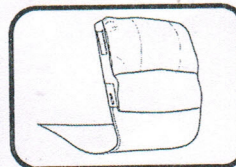
# Assembly Instructions

ITEM # T1020

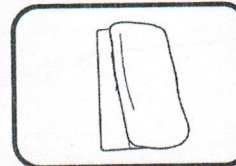
## Parts List



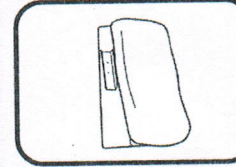
#1 x 1pc  
Seat



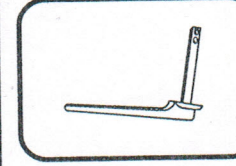
#2 x 1pc  
Backrest



#3 x 1pc  
Left Side Cushion

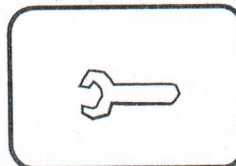


#4 x 1pc  
Right Side Cushion

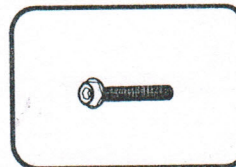


#5 x 1pc  
Wrench Switch

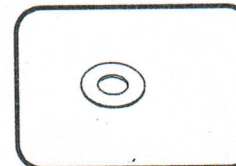
## Hardware List



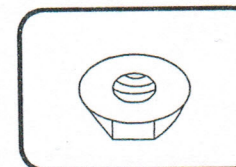
#A x 1pc  
Wrench



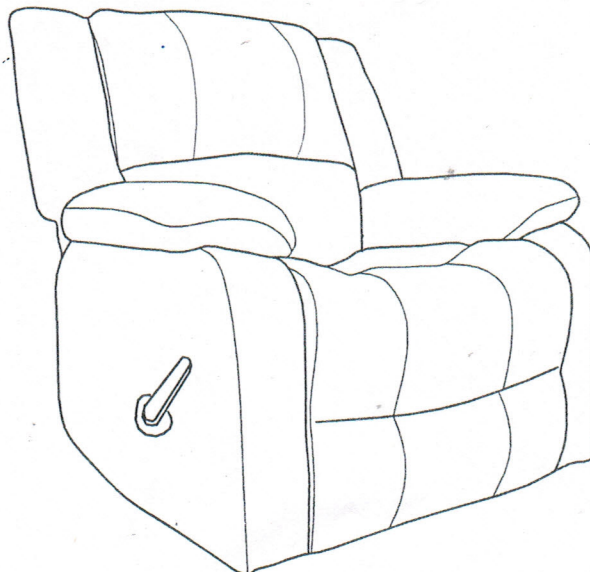
#B x 1pc  
Screw



#C x 1pc  
Flat Washer

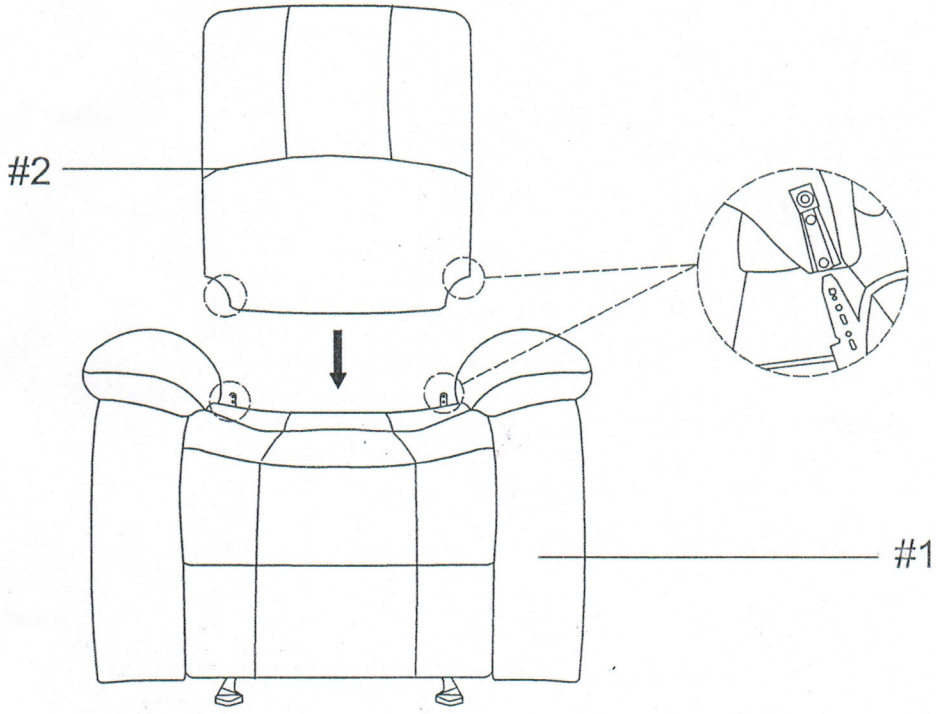


#D x 1pc  
Nut



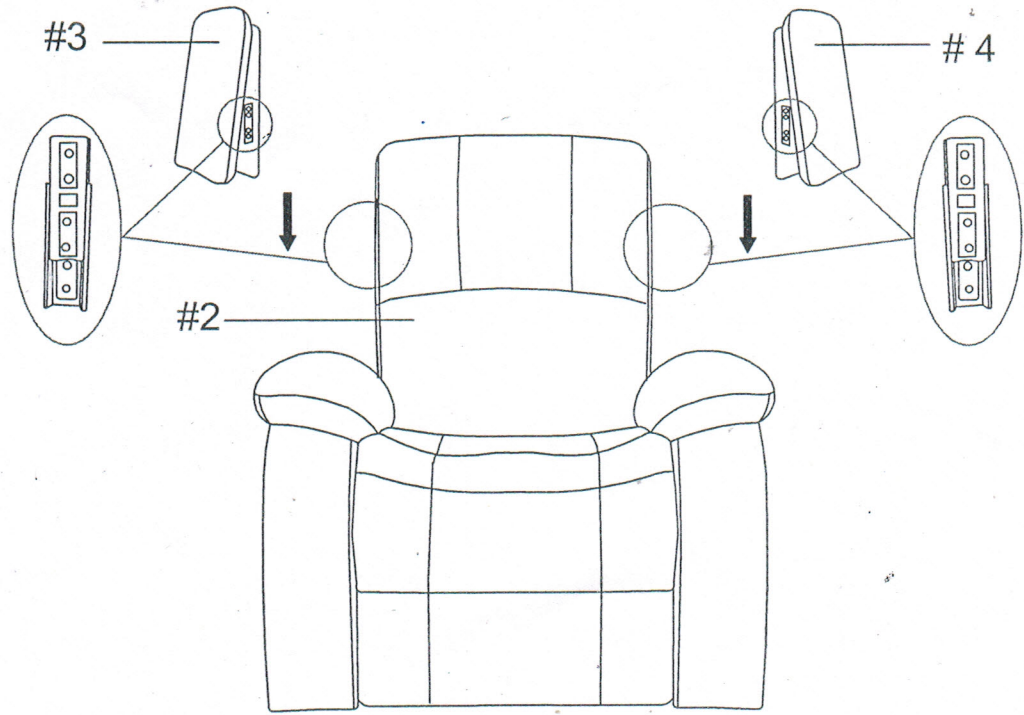
STEP 1

Align and attach the metal brackets of the back cushion (#2) to the metal brackets of the seat (#1).



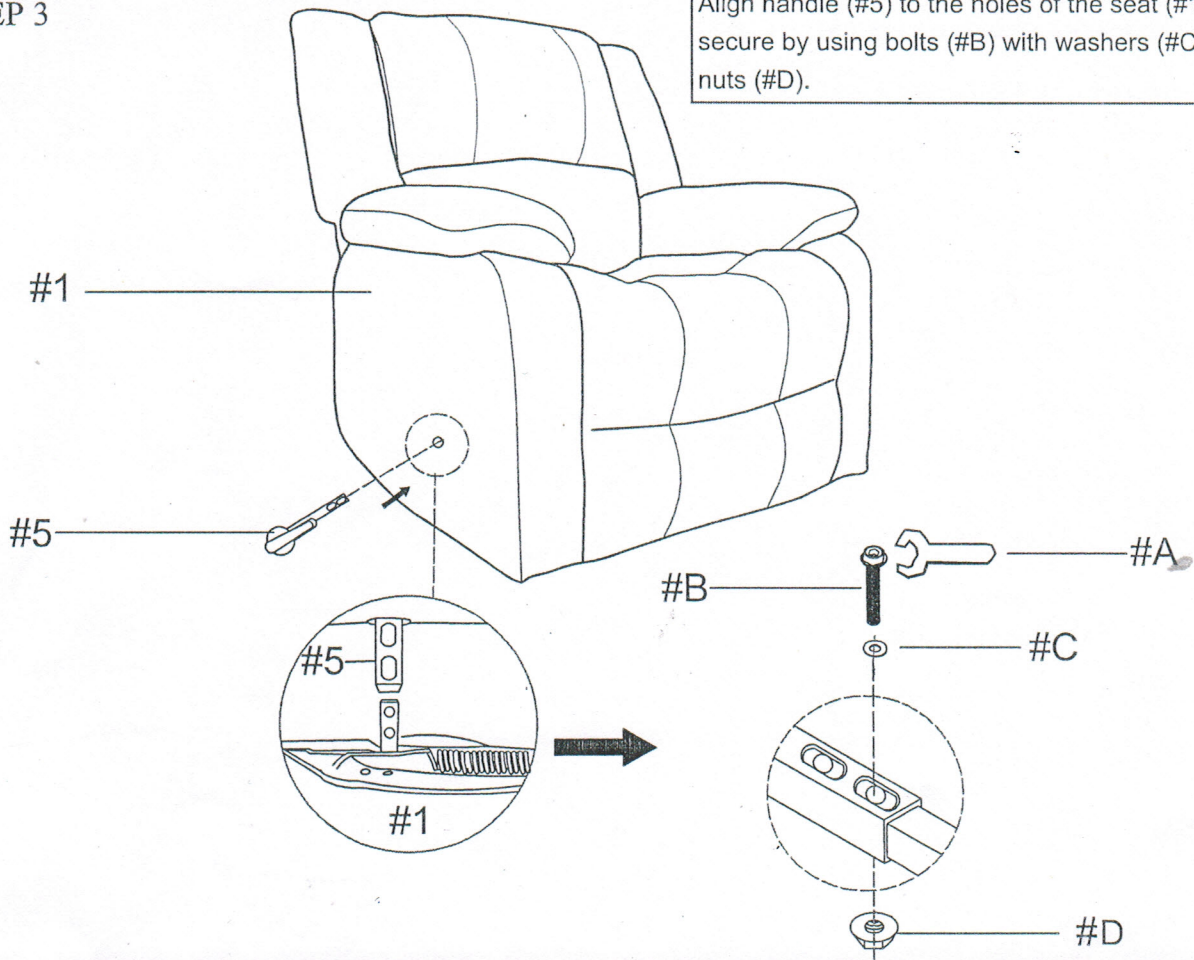
STEP 2

Align and attach the metal brackets of the ears (#3,4) to the metal brackets of the back cushion (#2).



STEP 3

Align handle (#5) to the holes of the seat (#1), then secure by using bolts (#B) with washers (#C) onto nuts (#D).



STEP 4

