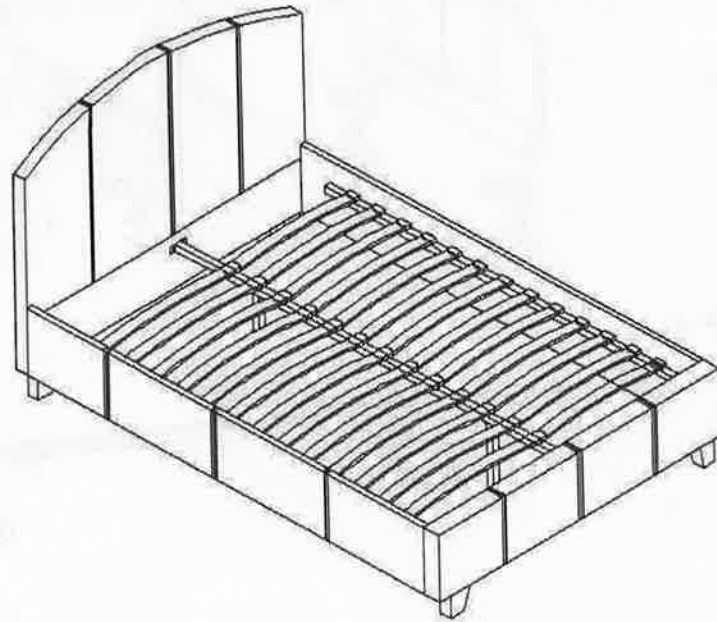
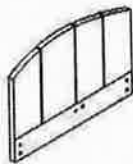


ASSEMBLY INSTRUCTION

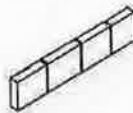


PARTS LIST

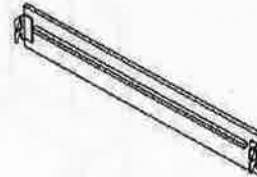
①-Head Board(1pc)



②-Foot Board (1pc)



③-Side Rails (2pcs)



④-Double Plastic cap (13pcs)



⑤-Center Support(1pc)
Bar



⑥-Support Legs (2pcs)



⑦-Slats (26pcs)



⑧-Single Plastic cap (26pcs)



⑨-Legs (4pcs)



HARDWARE LIST

A Bolt M8*30mm 12pcs



B Bolt M8*35mm 4pcs



C Nut M8*13mm 4pcs



D Spring Washer 8pcs



E Flat Washer 8PCS



F Allen Key M5 1pc



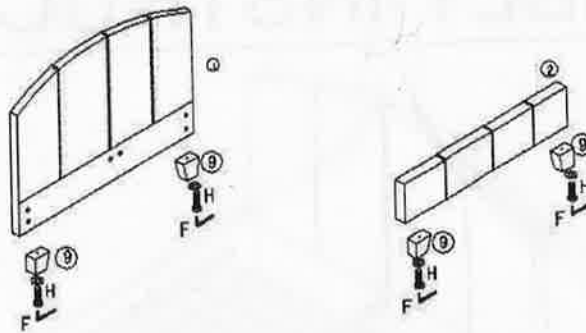
G Spanner 1pc



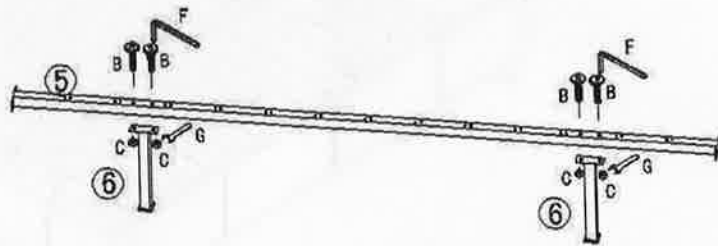
H Bolt M8*75mm 4pcs



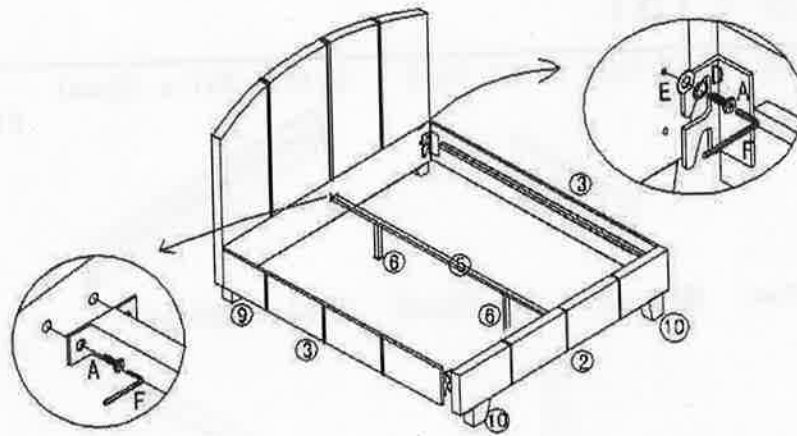
STEP 1:



STEP 2:



STEP 3:



STEP 4:

