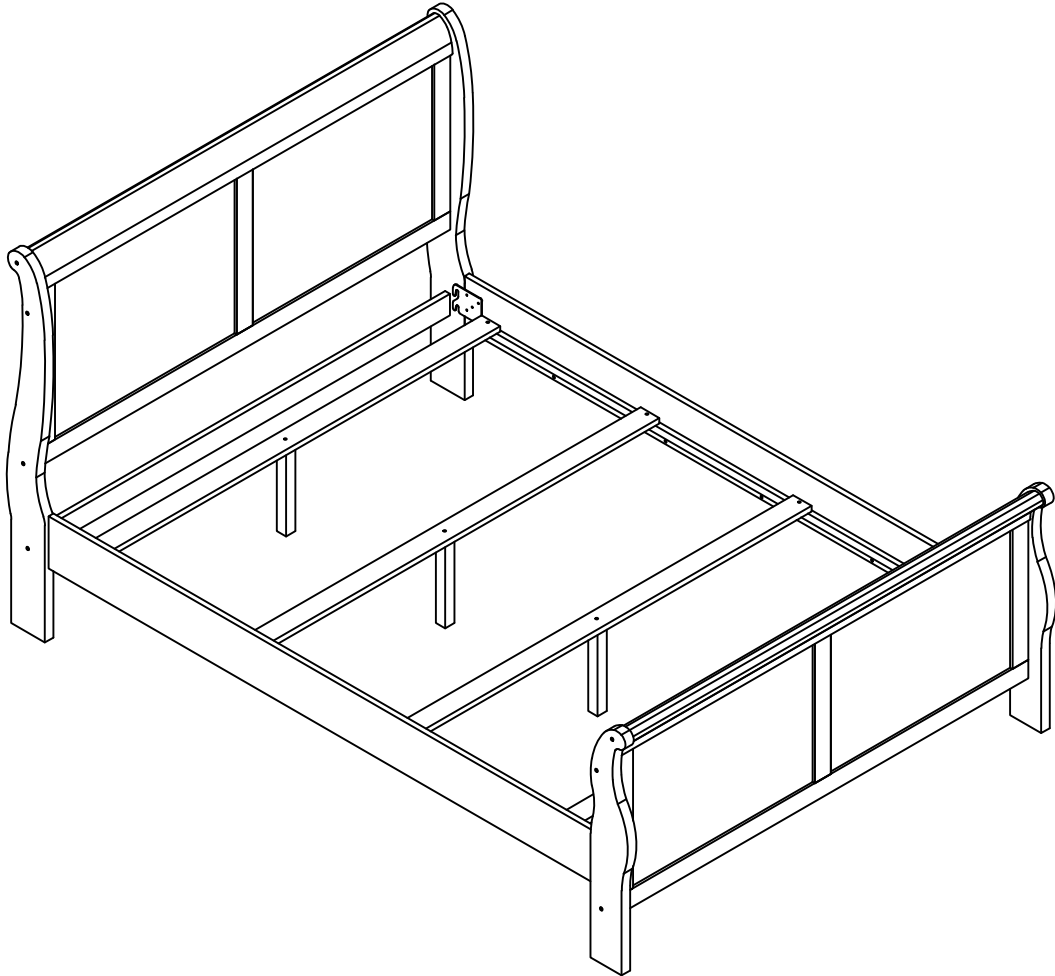


# ASSEMBLY INSTRUCTION

## LP DOUBLE, QUEEN, KING



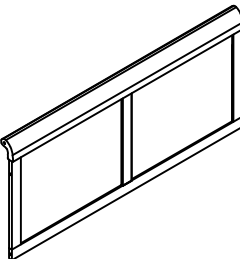
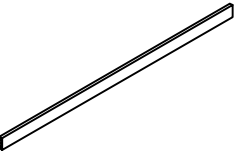


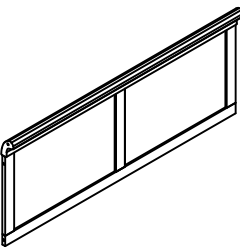
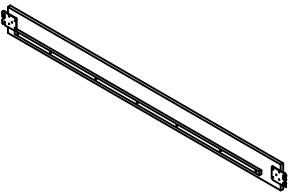
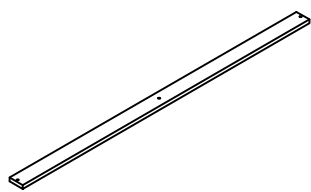



### SAFETY WARNINGS




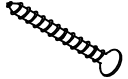
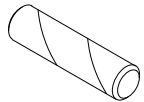



1. Follow the information on the warning label appearing on the upper bunk end structure and on the carton... **Do not remove warning label from bed.**
2. Always use the recommended size mattress or mattress support, or both, to help prevent the likelihood of entrapment or falls.
3. Surface of mattress must be at least 5 inches below the upper edge of guard rails.
4. Do not allow children under 6 years to use the upper bunk.
5. Prohibit more than one person on upper bunk.
6. Periodically check and ensure that the guardrail, ladder, and other components are in their proper position, free from damage, and that all connectors are tight.
7. Do not allow horseplay on or under the bed and prohibit jumping on the bed.
8. Always use the ladder for entering and leaving upper bunk.
9. Do not use substitute part. Contact the manufacturer or dealer for replacement part.
10. Use of night light may provide added safety precaution for a child using the upper bunk.
11. If the bunk bed will be placed next to a wall, the guardrail that runs the full length of the bed should be placed against the wall to prevent entrapment between the bed and the wall.
12. Always use guardrail on both long sides of the upper bunk.
13. The use of water or sleep flotation mattresses is prohibited.
14. Keep these instruction for future reference.
15. Strangulation Hazard - Never attach or hang items to any part of the bunk bed that are not designed for use with the bed, for example, but not limited to hooks, belts and jump rores.

# PARTS LIST & ILLUSTRATION

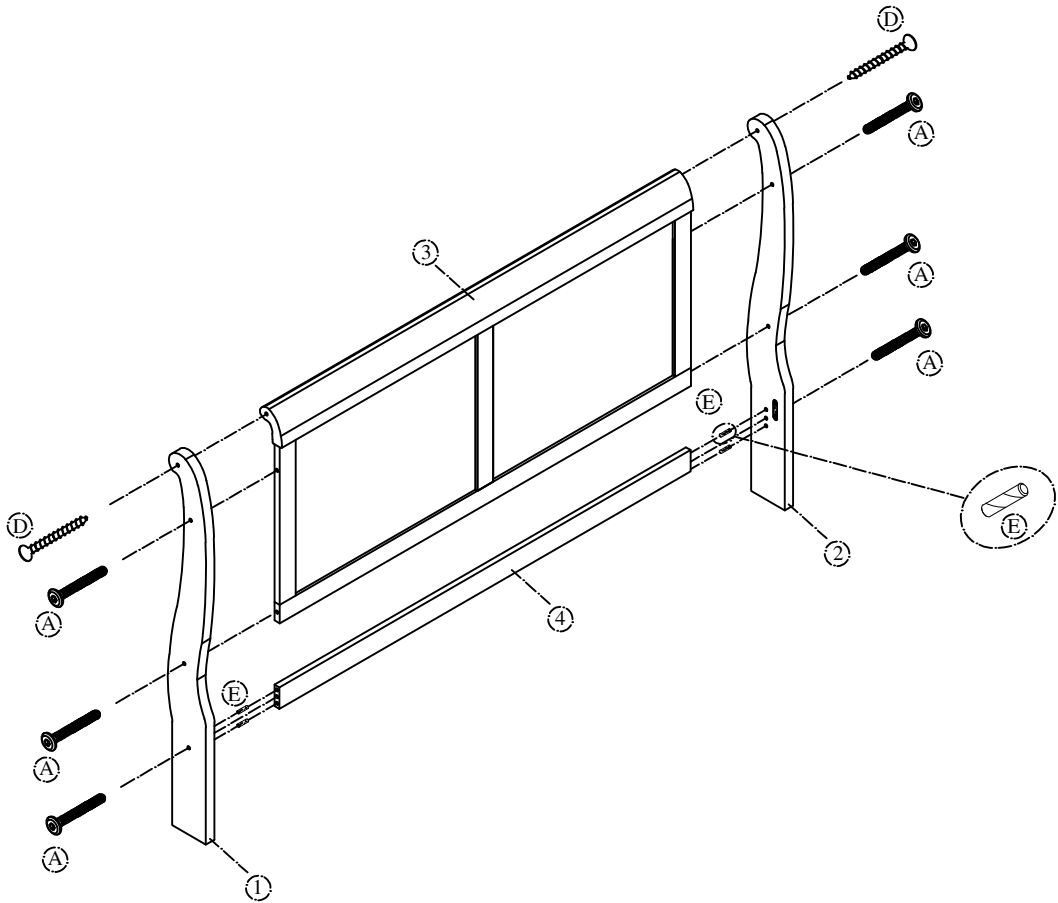
~~ Note : Do Not Fully Tighten Screws until Fully Assembled ~~

<b>1</b>	<b>2</b>	<b>3</b>	<b>4</b>
			
left leg (headboard) 1pc	Right leg (headboard) 1pc	Headboard panel 1pc	Support bar 1pc
<b>5</b>	<b>6</b>	<b>7</b>	<b>8</b>
			
left leg (footboard) 1pc	Right leg (footboard) 1pc	Footboard panel 1pc	Side rails 2pcs
<b>9</b>	<b>10</b>		
			
Slats 4pcs	Support legs 4pcs		

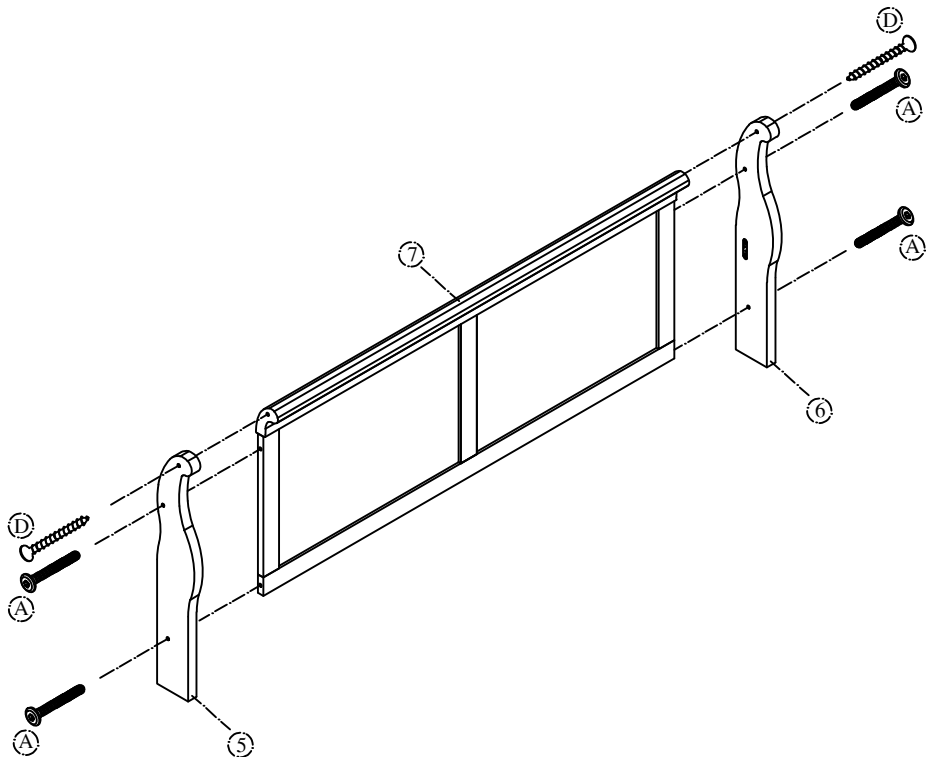
# HARDWARE & ILLUSTRATION

<b>A</b>	<b>B</b>	<b>C</b>	<b>D</b>
			
Ø 1/4" x 35 mm Hex-Head bolts 14pcs	Ø 5/16" x 21 mm Hex-Head bolts 8pcs	Ø 8 x 35 mm Wood Screws 8pcs	Ø 8 x 45 mm Wood Screws 4pcs
<b>E</b>	<b>F</b>	<b>G</b>	<b>H</b>
			
Ø 8 x 30 mm Wood dowers 4pcs	Ø 15" x 10 mm Wood corks 14pcs	Allen Key 1pc	M8*19 Flat washers 8pcs

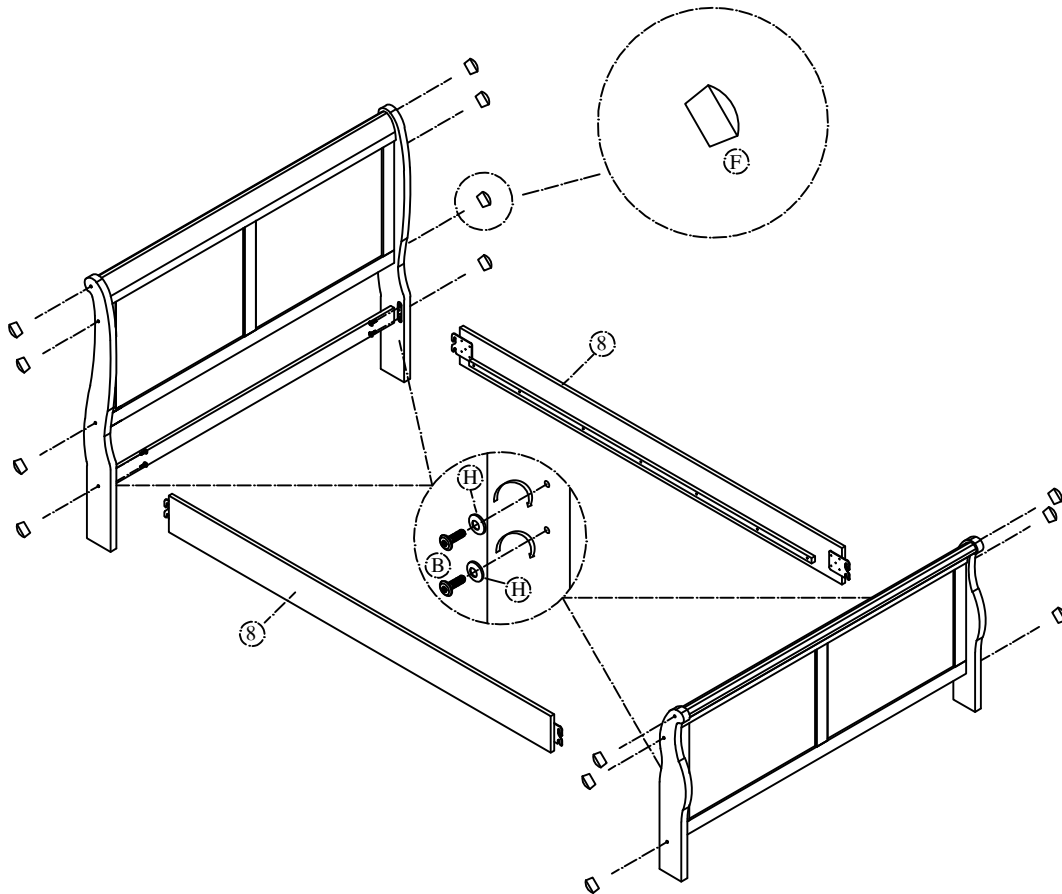
# Step 1



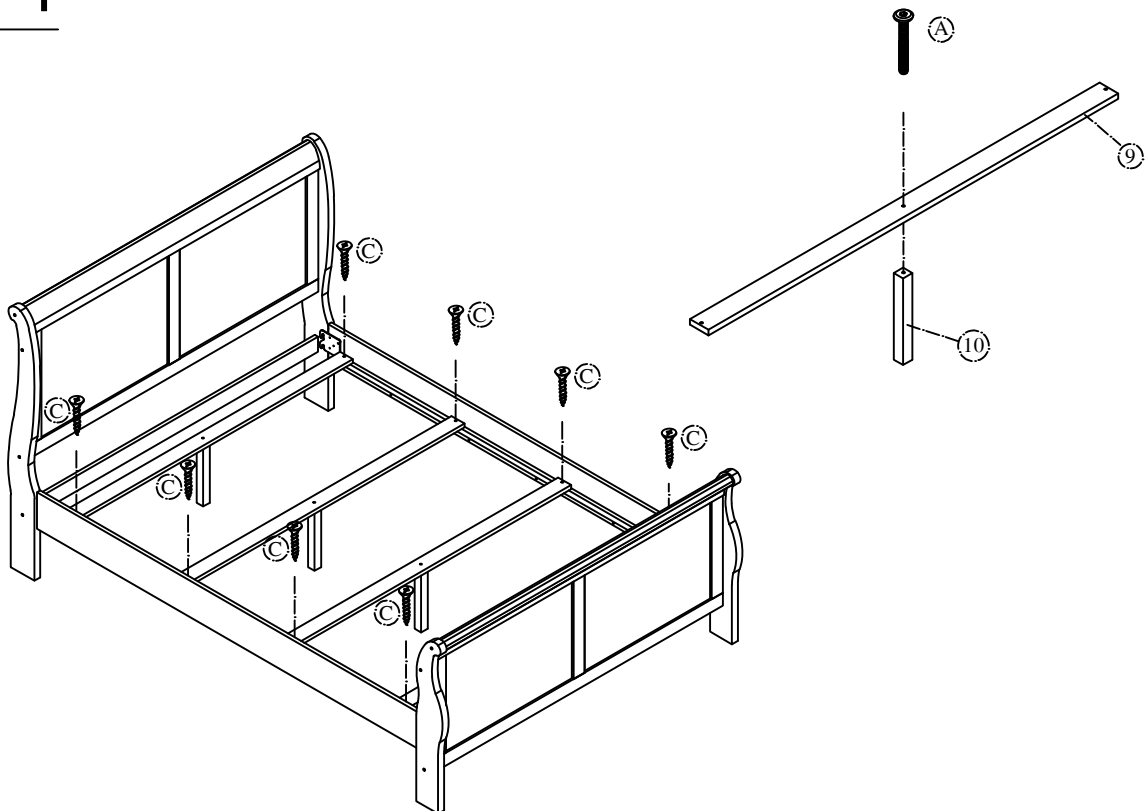
# Step 2



# Step 3



# Step 4



ASSEMBLY COMPLETED