

ASSEMBLY INSTRUCTIONS

**MODEL: DRESSER
MIRROR**

REVISION : A

ASSEMBLY TIPS :

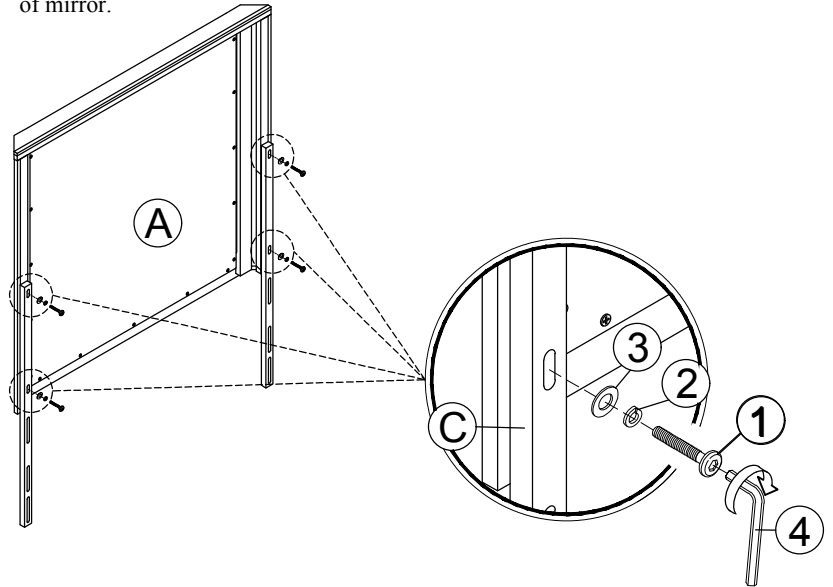
1. Remove hardware from box and sort by size.
2. Please check to see that all hardware and parts are present prior to start of assembly.
3. Please follow attached instructions in the same sequence as numbered to assure fast and easy assembly.

Component List		
No	Descriptions	Qty
A	Mirror	1
B	Dresser	1
C	Mirror Support	2

Hardware List		
No	Descriptions	Qty
1	JCBC M6 X 35mm	8
2	Spring Washer Ø1/4 "	8
3	Flat Washer Ø1/4" x 20mm	8
4	L Key M4	1

STEP 1

Attach mirror support to the mirror back, using JCBC M6 x35mm (1) with Spring Washer $\frac{1}{4}$ " (2), Flat Washer $\frac{1}{4}$ " x 20mm (3). Tighten using L Key M4 (4). Make sure the marking line on mirror support is at the same level as the bottom of mirror.



STEP 2

Place the mirror with support on the top of dresser. Then align center as shown and using JCBC M6 x35mm (1) with Spring Washer $\frac{1}{4}$ " (2), Flat Washer $\frac{1}{4}$ " x 20mm (3). Tighten using L Key M4 (4).

