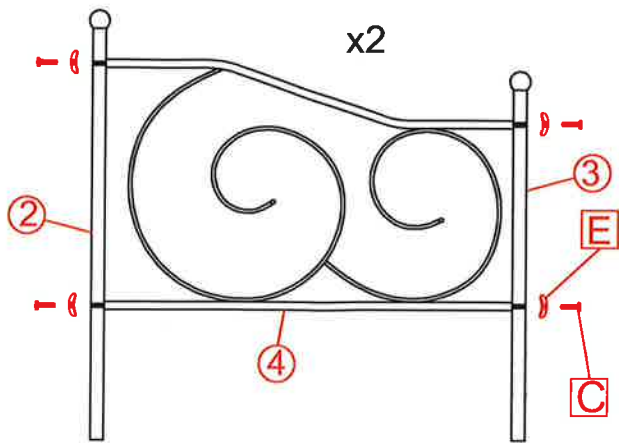


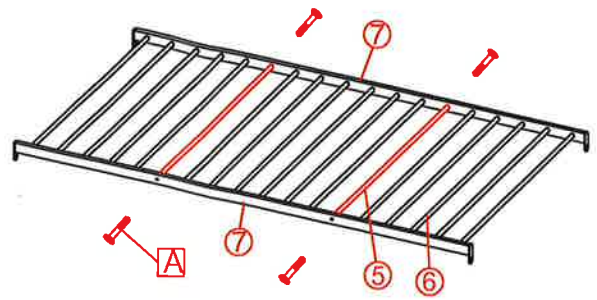
T-1582



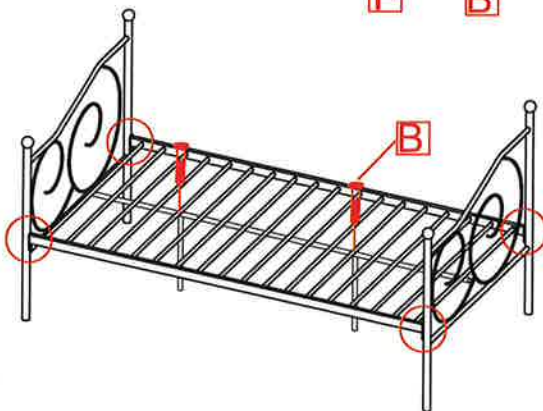
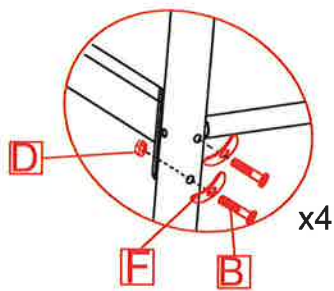
1	1 PC	2	2 PCS	3	2 PCS	4	2 PCS	5	2 PCS
6	16PCS	7	2 PCS		8	2 PCS	9	1 PCS	
A	4pcs	B	10pcs	C	12pcs	D	4pcs	E	12pcs
G	1pc	H	1pc						



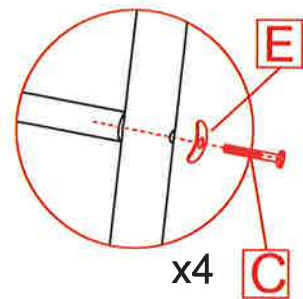
CODE	HARDWARE	QTY
C	M6X45	8
E		8



CODE	HARDWARE	QTY
A	M6X15	4



CODE	HARDWARE	QTY
B	M8 X45	10
D		4
F		8



CODE	HARDWARE	QTY
C	M6X45	4
E		4