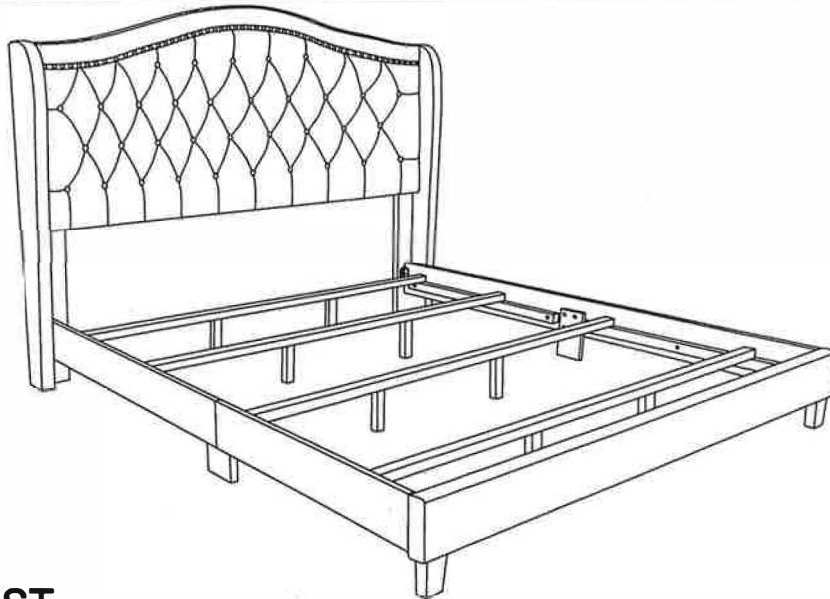


T2173-K ASSEMBLY INSTRUCTION



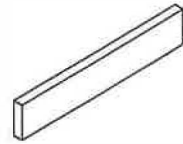
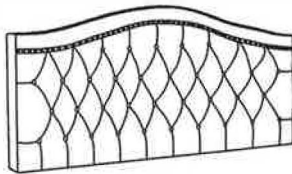
PARTS LIST

①-Head Board(1pc)

②-Left Headboard Wing (1pc)

③-Right Headboard Wing (1pc)

④-Foot Board (1pc)

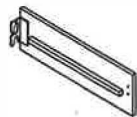


⑤-Side Rails (2pcs)

⑥-Side Rails (2pcs)

⑦-Center Support (4pcs)Bar

⑧-Support Legs(8pcs)



⑨-Siderails Support legs(2pcs)

⑩-HB Foot (2pcs)

⑪-Footboard Legs(2pcs)

⑫-Connecting Plate (2pcs)



HARDWARE LIST

A Bolt 5/16*30mm 16pcs

B Bolt 5/16*75mm 2pcs

C Bolt 5/16*40mm 12pcs

D Spring Washer 8pcs

E Flat Washer $\varnothing 20$ 36pcs



F MB Allen Key 1pc

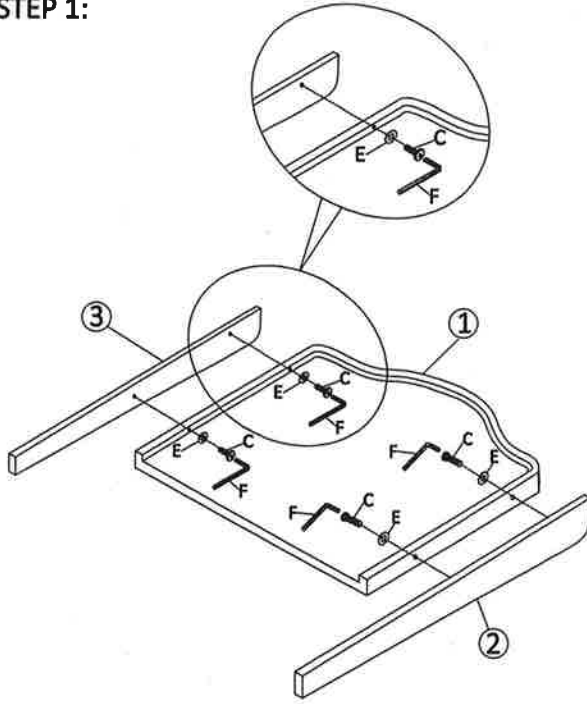
G Self tapping screw 8pcs

H Bolt 5/16*60mm 8pcs

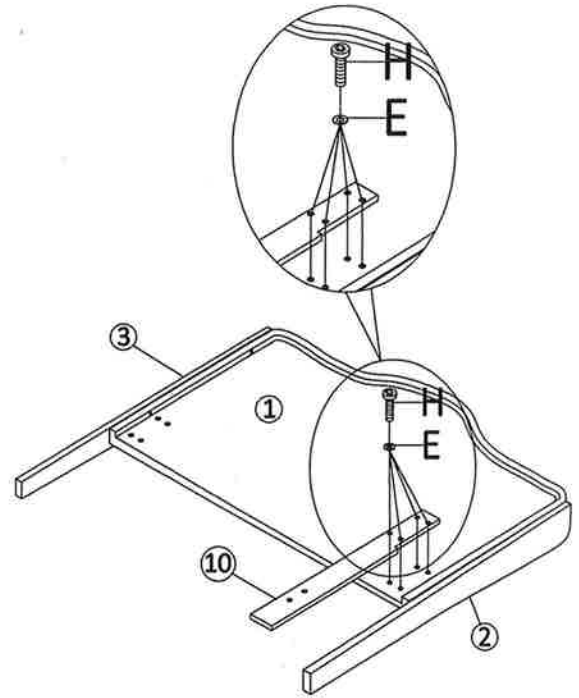
I Short Self tapping screw 8pcs



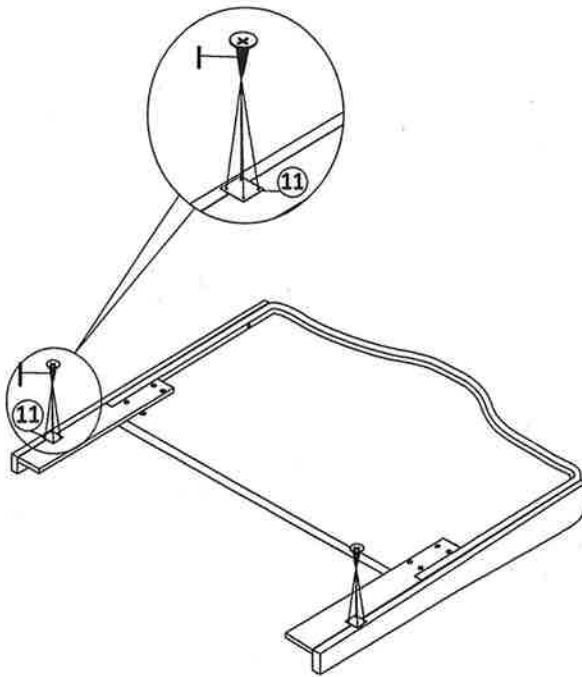
STEP 1:



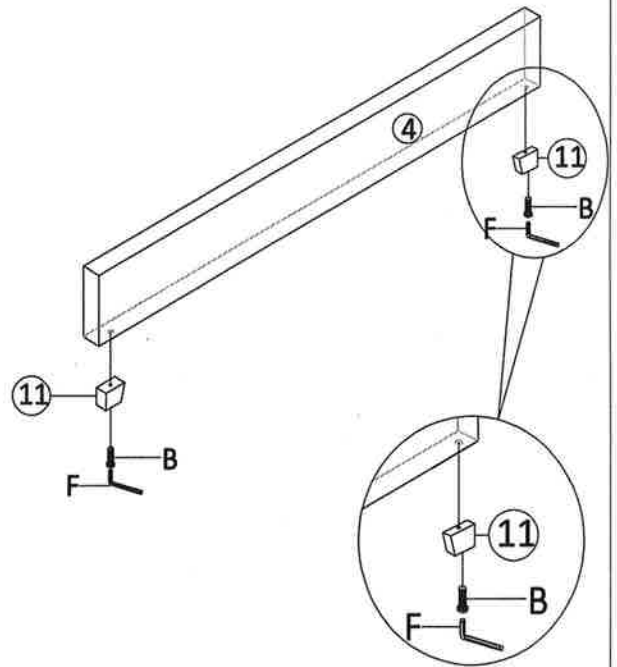
STEP 2:



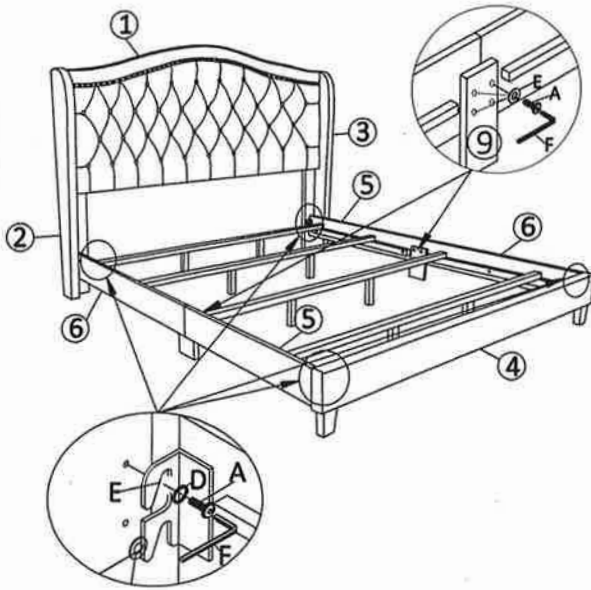
STEP 3:



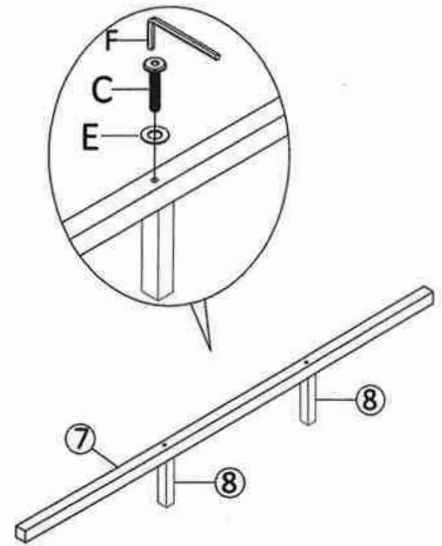
STEP 4:



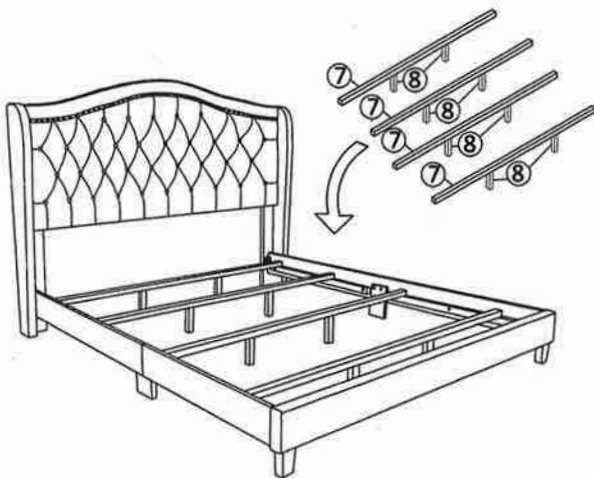
STEP 5:



STEP 6:



STEP 7:



STEP 8:

