
















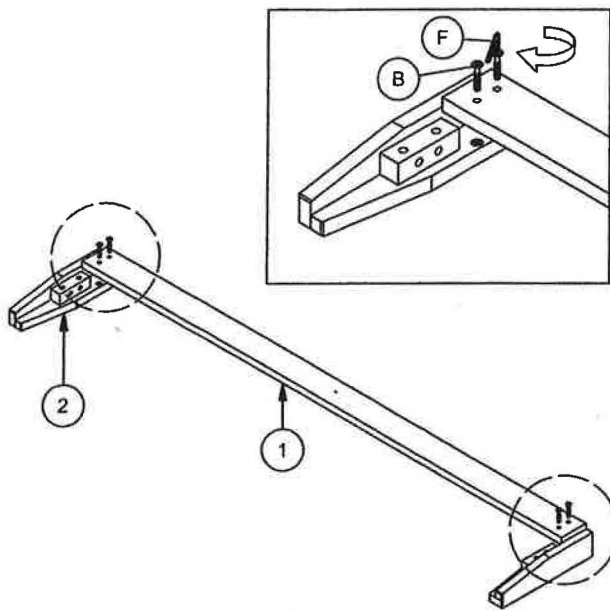
ASSEMBLY INSTRUCTION

T-2367

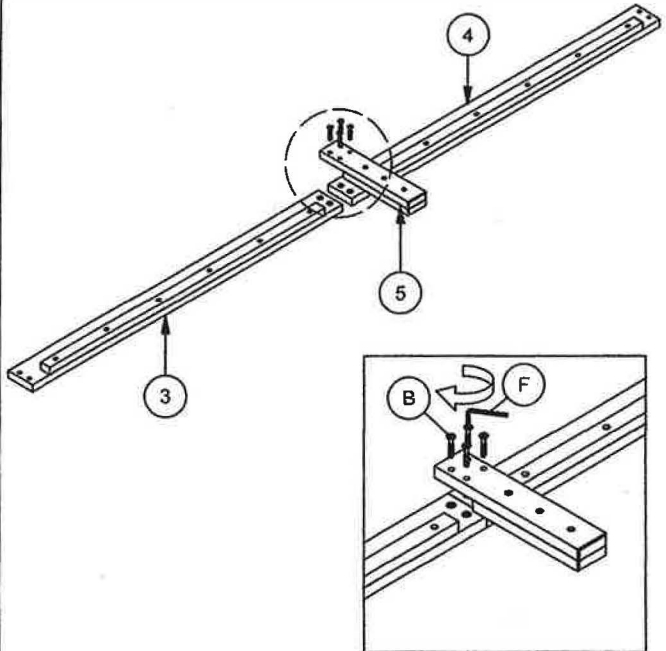
Thank you for purchasing this quality product. Be sure to check all packing material carefully for small parts which may have come loose inside the carton during shipment. Identify and count all parts and compare with the parts list below. Please keep all hardware out of reach of small children.

1  HB & FB PANEL 2 PCS	2  BED LEG 4 PCS	3  SIDE RAIL- L 2 PCS	4  SIDE RAIL- R 2 PCS	5  SUPPORT LEG 2 PCS	6  SLAT- A 10 PCS	7  SLAT- B 4 PCS	8  CENTER RAIL 2 PCS
9  CENTER LEG 4 PCS	A  JCBC M6 x 70 4 PCS	B  JCBC M6 x 35 24 PCS	C  L BRACKET 2 PCS	D  CSK M4 x 30 28 PCS	E  CSK M4 x 16 4 PCS	F  ALLEN KEY M4 1 PC	

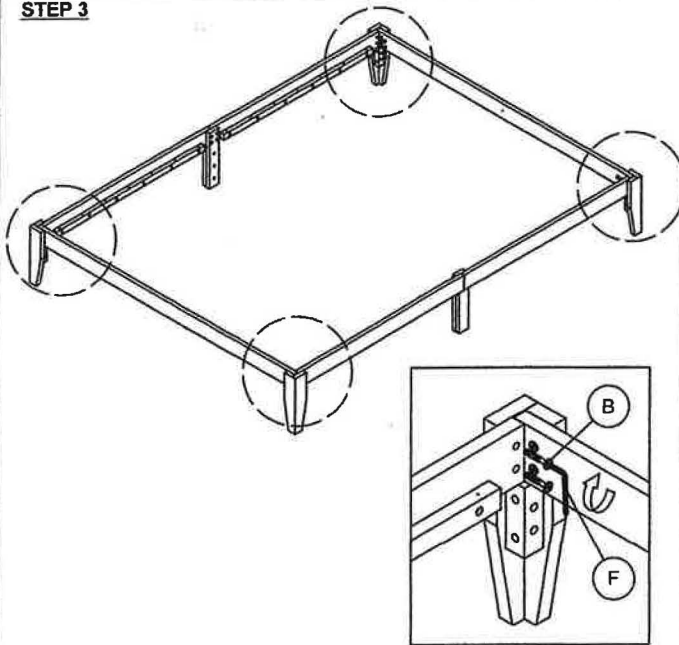
STEP 1



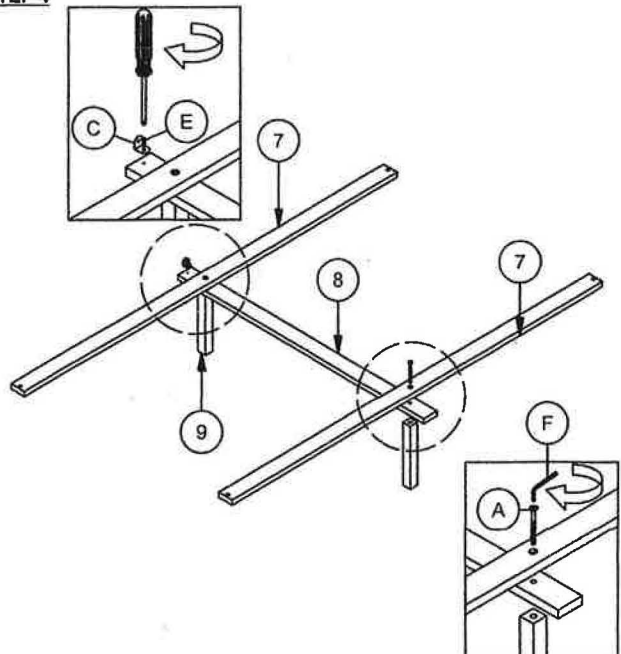
STEP 2



STEP 3



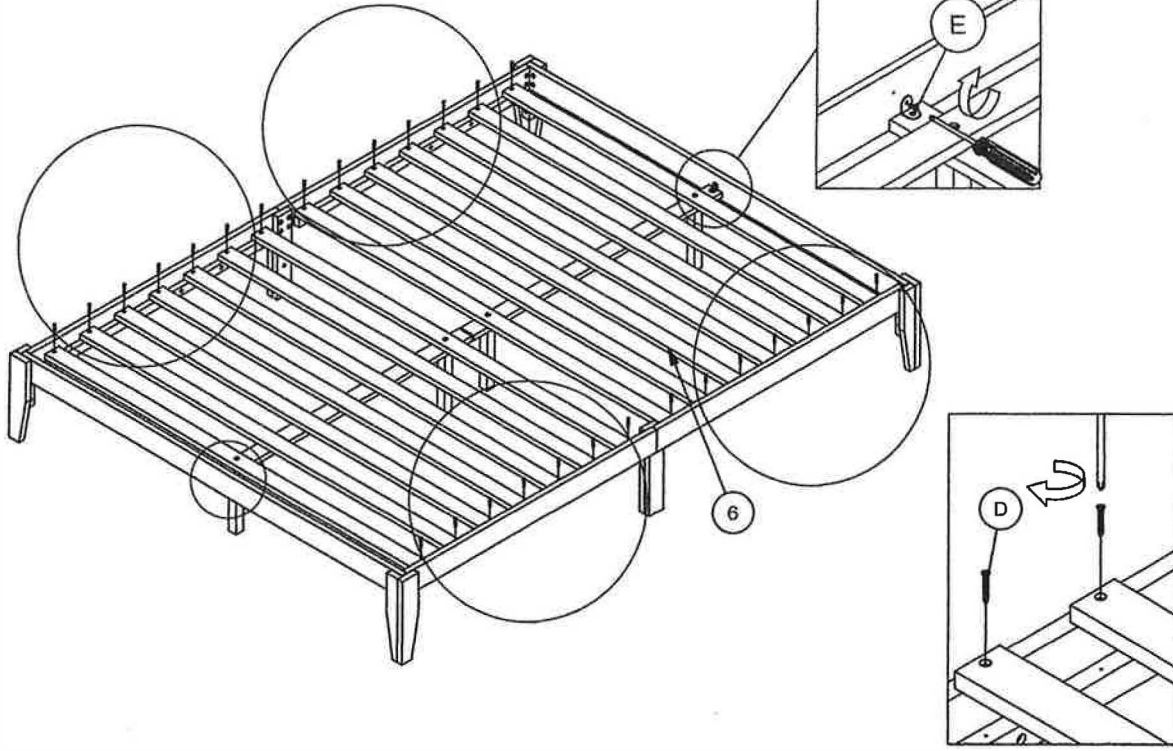
STEP 4



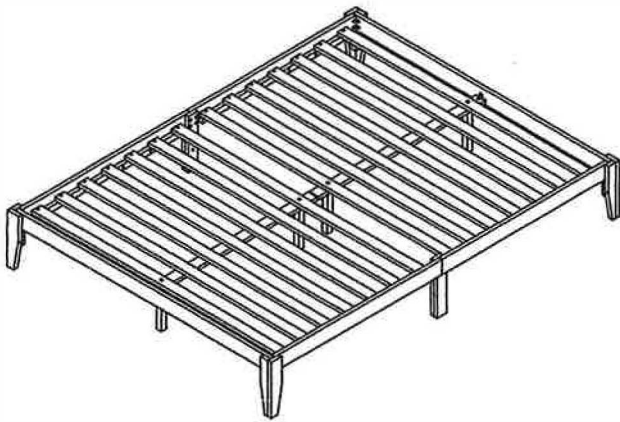
ASSEMBLY INSTRUCTION

T2367

STEP 5



STEP 6



COMPLETE ASSEMBLY

WARNING:

1. When you need to move the bed frame after complete assembly, at least two people are needed to move it.
2. Please do not use drag way to move the bed frame, because this will cause the support legs of the bed frame to break or fall off.

