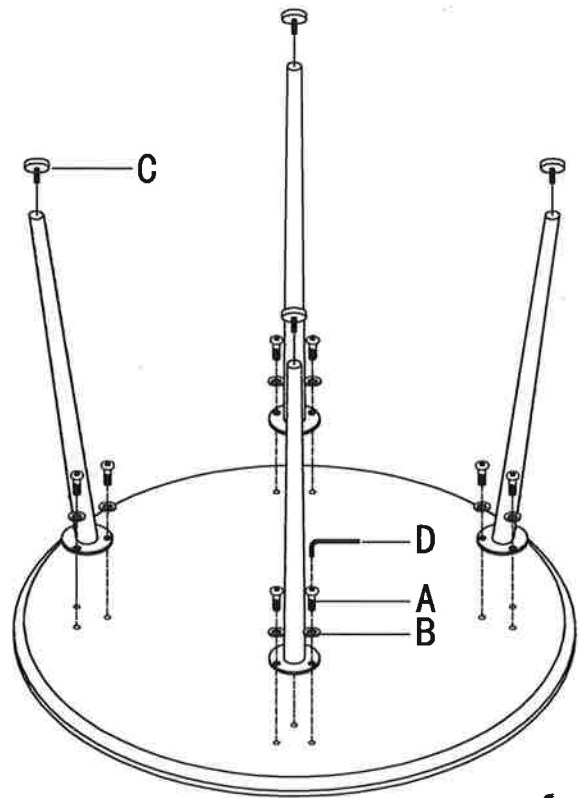
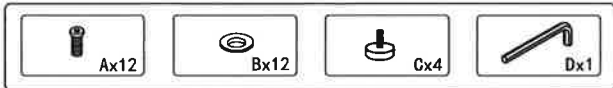


# Assembly Instruction



## COMPONENTS :



T3485