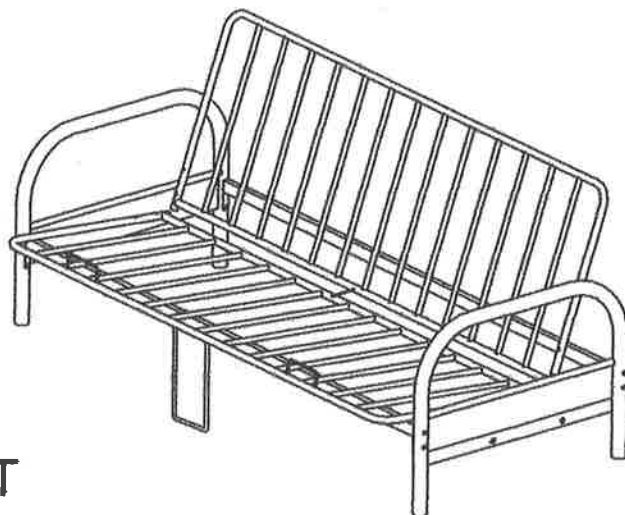











ASSEMBLY INSTRUCTIONS

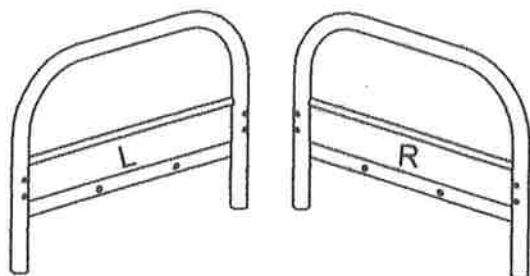
T1600



HARDWARE LIST

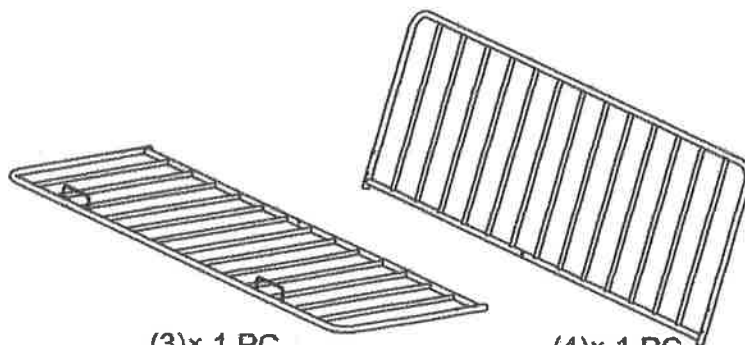
REF		HARDWARE NAME	QTY
A		M8x30 BOLT	4 PCS
B		M8x40 BOLT	8 PCS
C		M8x60 BOLT	8 PCS
D		FLAT WASHER	4 PCS
E		WASHER	16 PCS
F		M8 NUT	16 PCS
G		HOOK	1 PC
H		ALLEN KEY M8	1 PC
I		OPEN SPANNER M8	1 PC

PART LIST



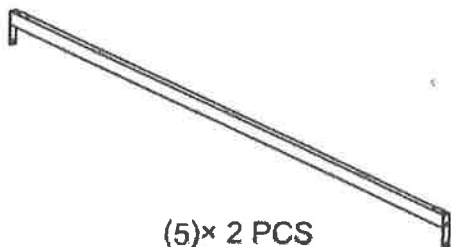
(1) x 1 PC

(2) x 1 PC

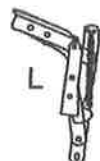


(3) x 1 PC

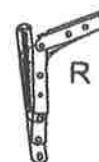
(4) x 1 PC



(5) x 2 PCS

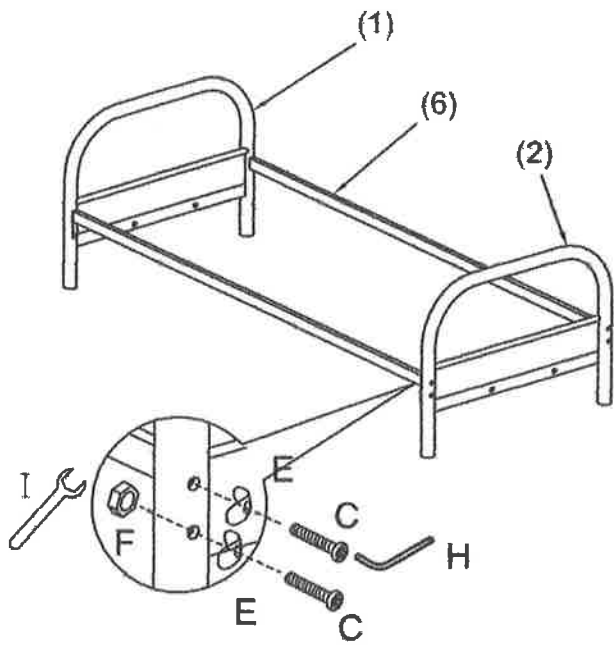


(6) x 1 PC

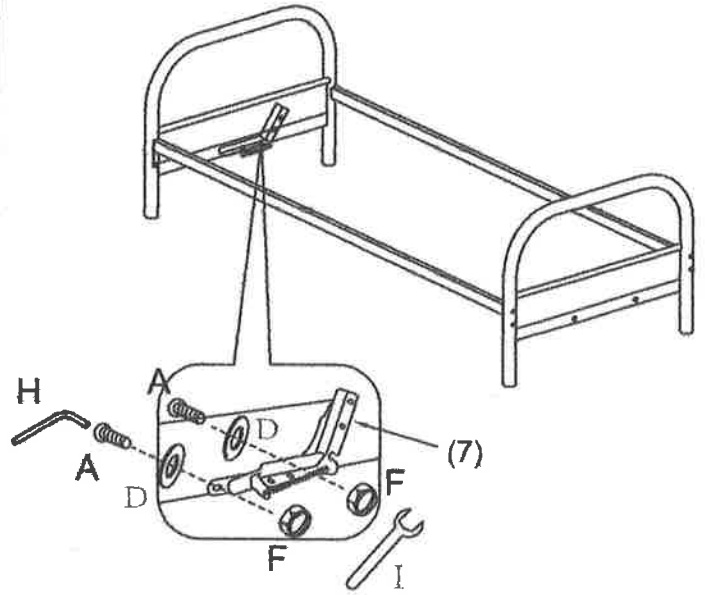


(7) x 1 PC

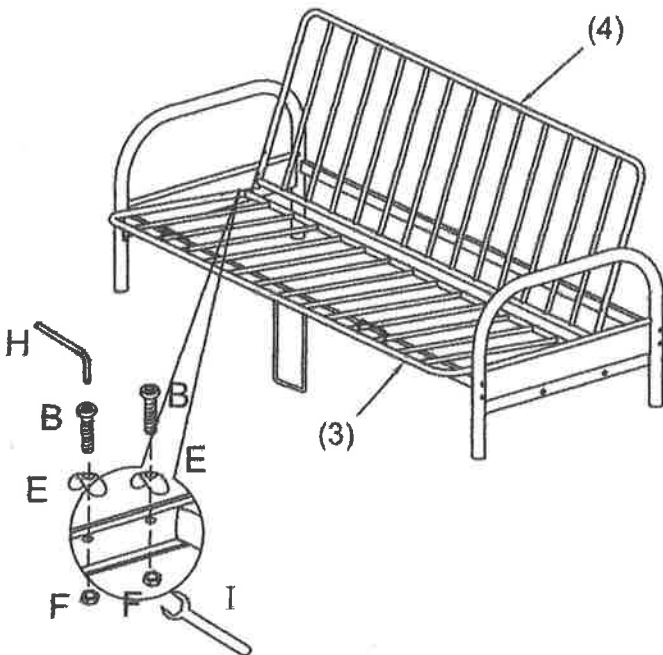
STEP 1



STEP 2



STEP 3



FULLY SETUP

