

MODEL T2342-S

ASSEMBLY INSTRUCTIONS

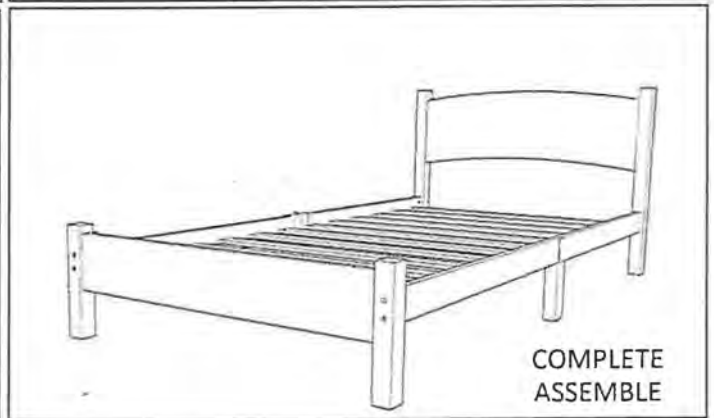
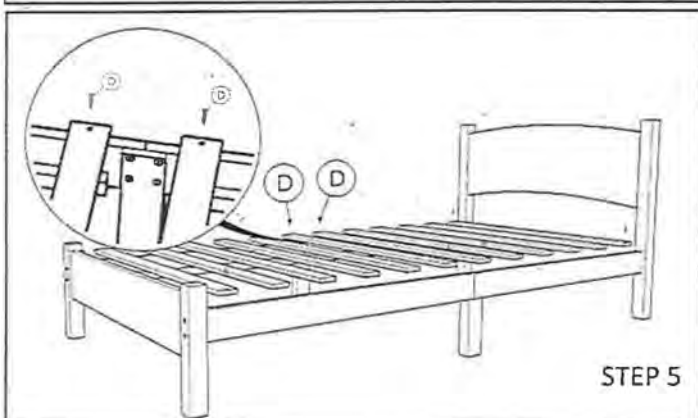
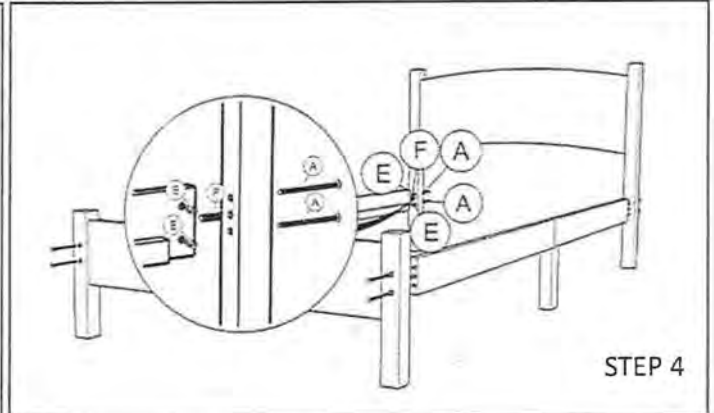
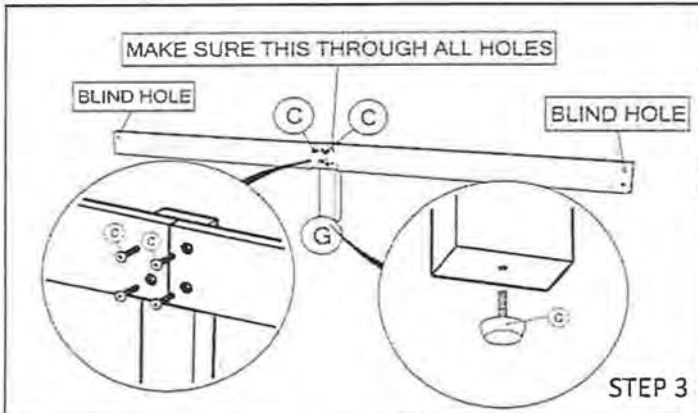
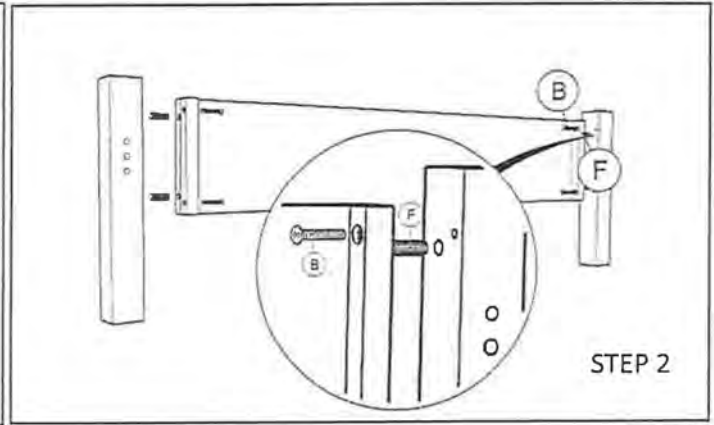
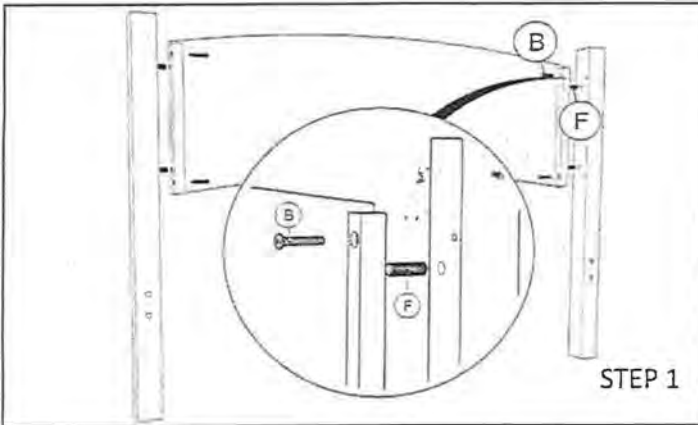
Thanks you for purchasing this quality product. Be sure to lay all components on a soft and clean surface before assembly in order to avoid components from being scratched.

CAUTIONS:

1. Check contents against list for quantity.
2. Familiarize yourself with the components and hardware by reviewing the assembly instructions.
3. Do not over tightened the screw and bolts as it may damage the threads.
4. Keep all hardware parts out of the reach of children.

COMPONENTS LIST		
No.	Description	Qty
1.	HEADBOARD	1 PCS
2.	FOOTBOARD	1 PCS
3.	LEG HEADBOARD (RIGHT&LEFT)	2 PCS
4.	LEG FOOTBOARD (RIGHT&LEFT)	2 PCS
5.	SIDERAIL	4 PCS
6.	LEG SIDERAIL	2 PCS
7.	BED SLAT	2 PCS

HARDWARE LIST		
No.	Descriptions	Qty
A	JCBC M6x90MM	8 PCS
B	JCBC M6x40MM	8 PCS
C	JCBC M6x30MM	8 PCS
D	CSK M4x30MM	8 PCS
E	BARREL NUT	8 PCS
F	WOOD DOWEL M10x30MM	12 PCS
G	ADJUSTABLE	2 PCS
H	ALLEN KEY M4	1 PCS



MODEL T2342-D

ASSEMBLY INSTRUCTIONS

Thanks you for purchasing this quality product. Be sure to lay all components on a soft and clean surface before assembly in order to avoid components from being scratched.

CAUTIONS:

1. Check contents against list for quantity.
2. Familiarize yourself with the components and hardware by reviewing the assembly instructions.
3. Do not over lightened the screw and bolts as it may damage the threads.
4. Keep all hardware parts out of the reach of children.

COMPONENTS LIST		
No.	Description	Qty
1.	HEADBOARD	1 PCS
2.	FOOTBOARD	1 PCS
3.	LEG HEADBOARD (RIGHT&LEFT)	2 PCS
4.	LEG FOOTBOARD (RIGHT&LEFT)	2 PCS
5.	SIDERAIL	4 PCS
6.	LEG SIDERAIL	2 PCS
7.	BED SLAT	2 PCS
8.	CENTER SUPPORT BED SLAT	2 PCS
9.	LEG CENTER SUPPORT BED SLAT	4 PCS

HARDWARE LIST		
No.	Descriptions	Qty
A	JCBC M6x90MM	8 PCS
B	JCBC M6x60MM	4 PCS
C	JCBC M6x40MM	8 PCS
D	JCBC M6x30MM	8 PCS
E	CSK M4x30MM	8 PCS
F	BARREL NUT	8 PCS
G	WOOD DOWEL M10x30MM	12 PCS
H	ADJUSTABLE	2 PCS
I	ALLEN KEY M4	1 PCS

