








ASSEMBLY INSTRUCTION

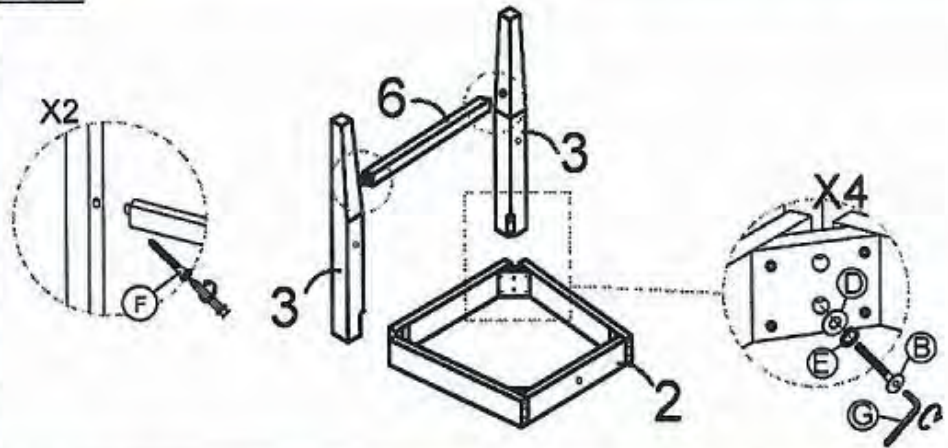
MODEL: T-3817 X BACK

PLEASE FOLLOW INSTRUCTION LISTED BELOW IN THE PROPER SEQUENCE AS NUMBERED TO ASSURE FAST, EASY AND CORRECT ASSEMBLY

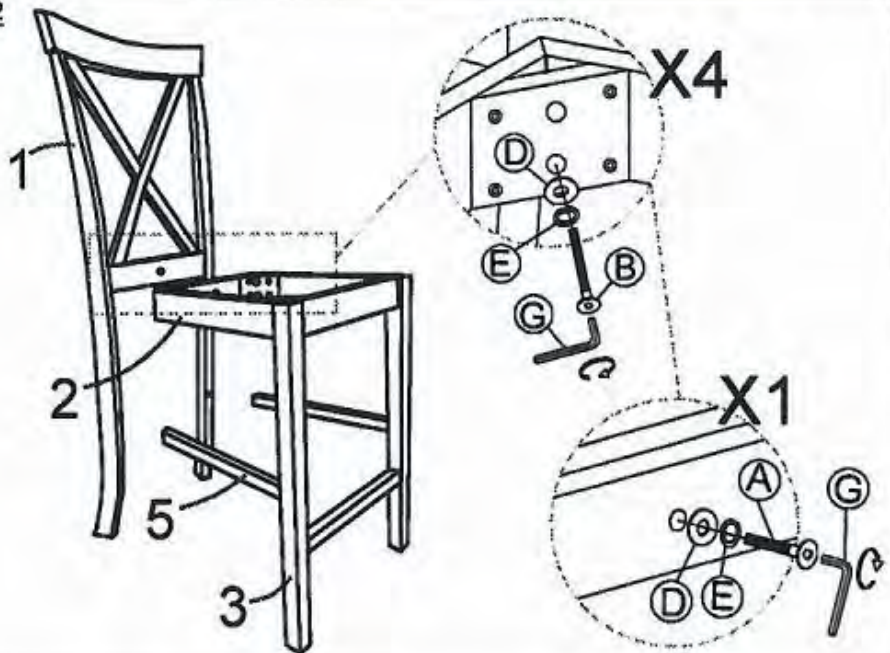
HARDWARE LIST		
NO	DESCRIPTION	QTY
A	 M6 X 40mm JCBC SCREW	1 PCS
B	 M6 X 60mm JCBC SCREW	4 PCS
C	 M6 X 80mm JCBC SCREW	4 PCS
D	 FLAT WASHER	9 PCS
E	 SPRING WASHER	9 PCS
F	 M4 X 30mm C/B SCREW	9 PCS
G	 M4 ALLEN KEY	1 PC

PART LIST		
NO	DESCRIPTION	QTY
1	BACK REST	1 PC
2	BOX FRAME	1 PC
3	FRONT LEG	2 PCS
4	WOODEN SEAT	1 PC
5	STRETCHER	2 PCS
6	FRONT STRETCHER	1 PC

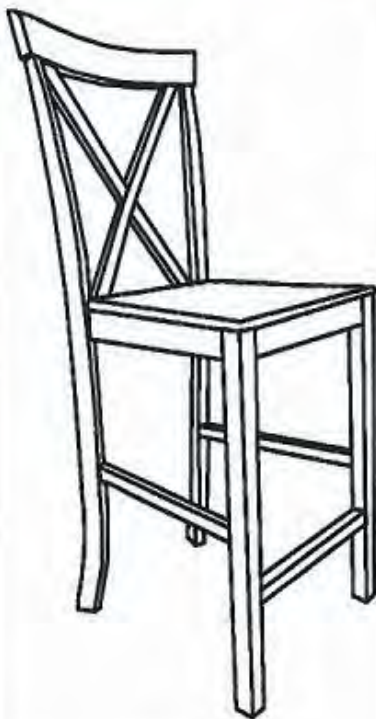
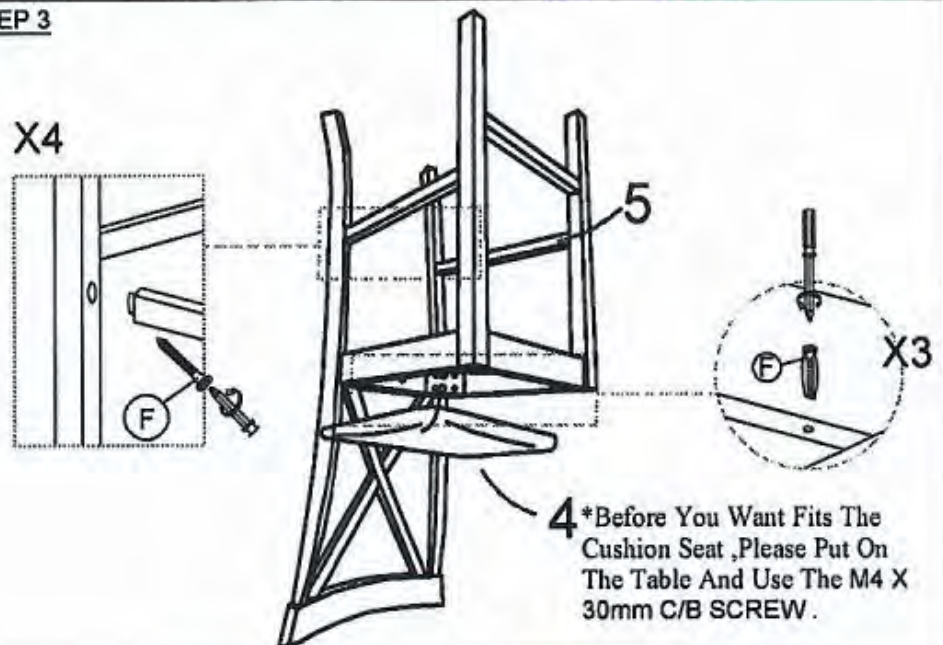
STEP 1



STEP 2



STEP 3



FULLY SET-UP