







ASSEMBLE INSTRUCTIONS

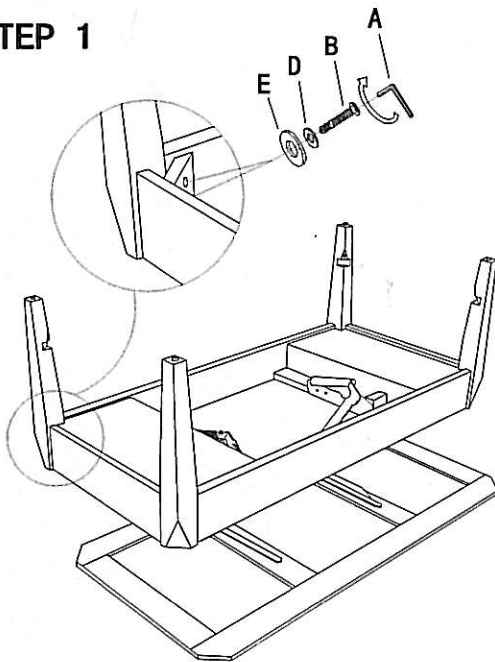
DO NOT TIGHTEN SCREWS UNTIL COMPLETELY ASSEMBLED!

HARDWARE PACKAGE

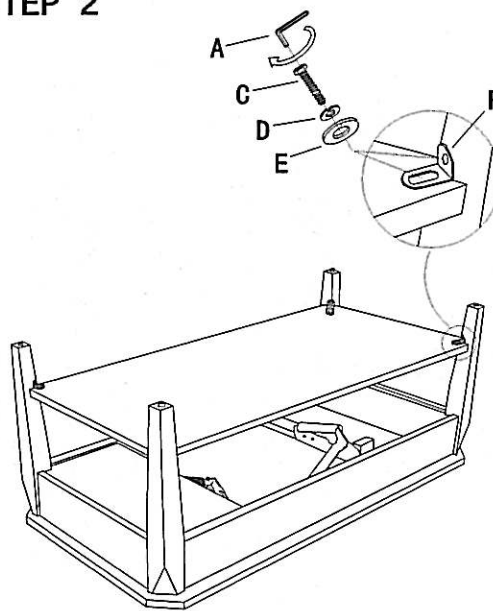
No.	DESCRIPTION	FIGURE	Q' TY
A	ALLEN WRENCH 4mm		1PC
B	LONG BOLTS $\phi 1/4" \times 2"$		8PCS
C	SHORT BOLTS $\phi 1/4" \times 1/2"$		8PCS
D	SPRING WASHER $\phi 1/4"$		16PCS

No.	DESCRIPTION	FIGURE	Q' TY
E	FLAT WASHER $\phi 1/4" \times \phi 19mm$		16PCS
F	BRACKET $\phi 1/4"$		4PCS

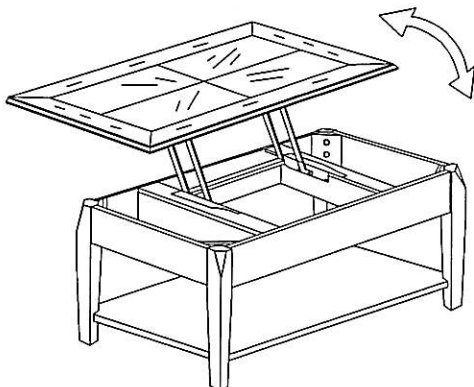
STEP 1



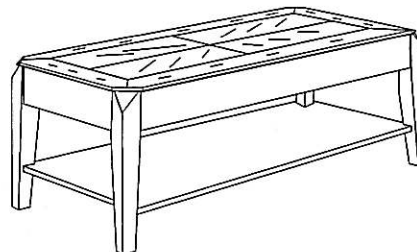
STEP 2



STEP 3



STEP 4

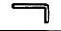





COMPLETED!

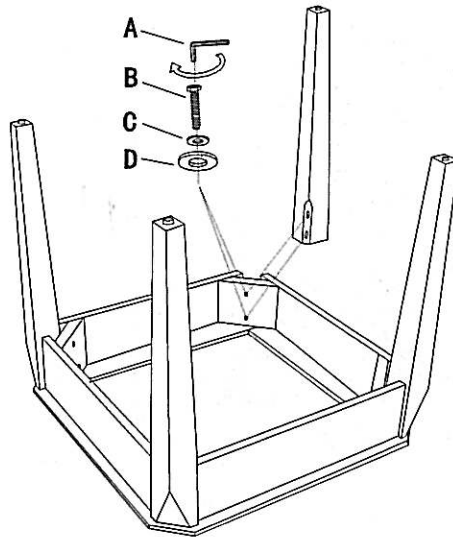
ASSEMBLE INSTRUCTIONS

DO NOT TIGHTEN SCREWS UNTIL COMPLETELY ASSEMBLED!

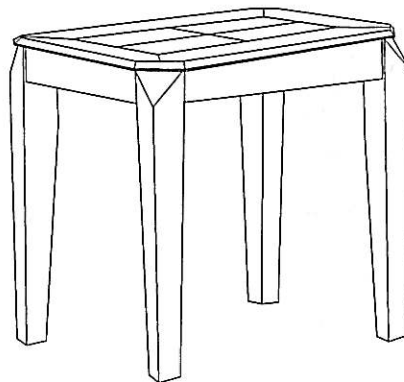
HARDWARE PACKAGE

No.	DESCRIPTION	FIGURE	Q' TY
A	ALLEN WRENCH 5mm		1PC
B	BOLTS $\varnothing 5/16" \times 2"$		8PCS
C	SPRING WASHER $\varnothing 5/16"$		8PCS
D	FLAT WASHER $\varnothing 5/16" \times \varnothing 19mm$		8PCS

STEP 1



STEP 2

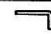







COMPLETED!

ASSEMBLE INSTRUCTIONS

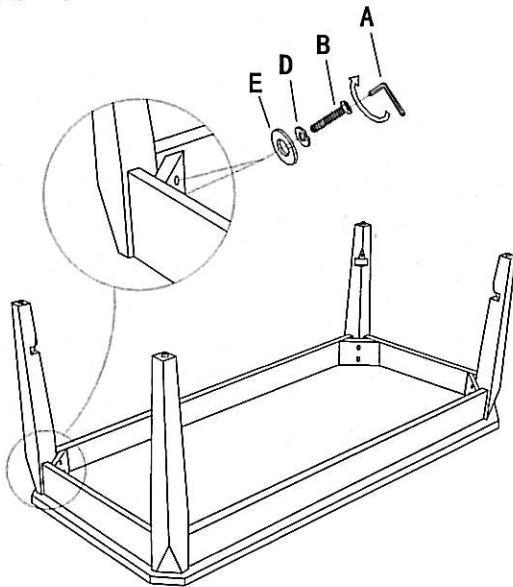
DO NOT TIGHTEN SCREWS UNTIL COMPLETELY ASSEMBLED!

HARDWARE PACKAGE

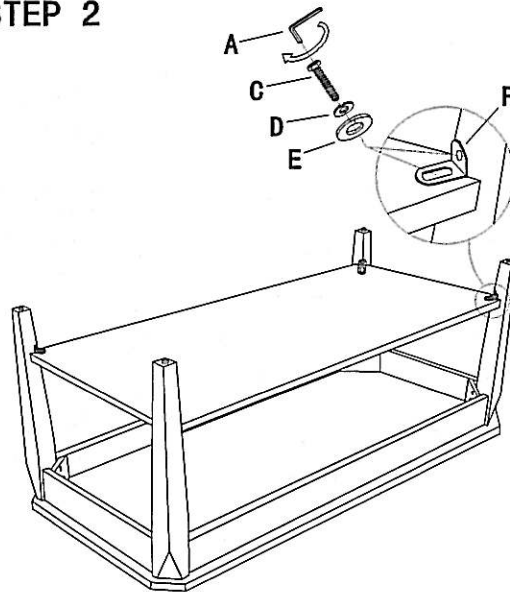
No.	DESCRIPTION	FIGURE	Q' TY
A	ALLEN WRENCH 4mm		1PC
B	LONG BOLTS $\varnothing 1/4" \times 2"$		8PCS
C	SHORT BOLTS $\varnothing 1/4" \times 1/2"$		8PCS
D	SPRING WASHER $\varnothing 1/4"$		16PCS

No.	DESCRIPTION	FIGURE	Q' TY
E	FLAT WASHER $\varnothing 1/4" \times \varnothing 19mm$		16PCS
F	BRACKET $\varnothing 1/4"$		4PCS

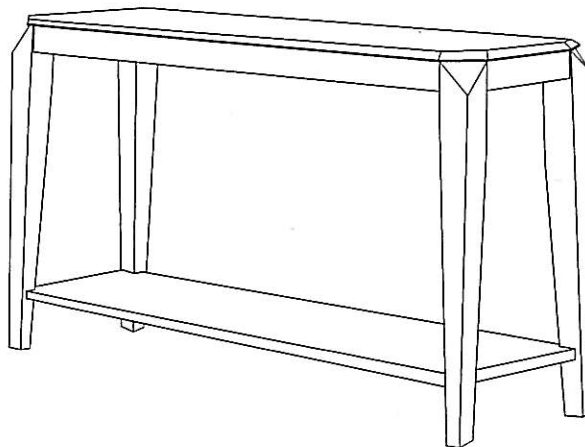
STEP 1



STEP 2



STEP 3



COMPLETED!