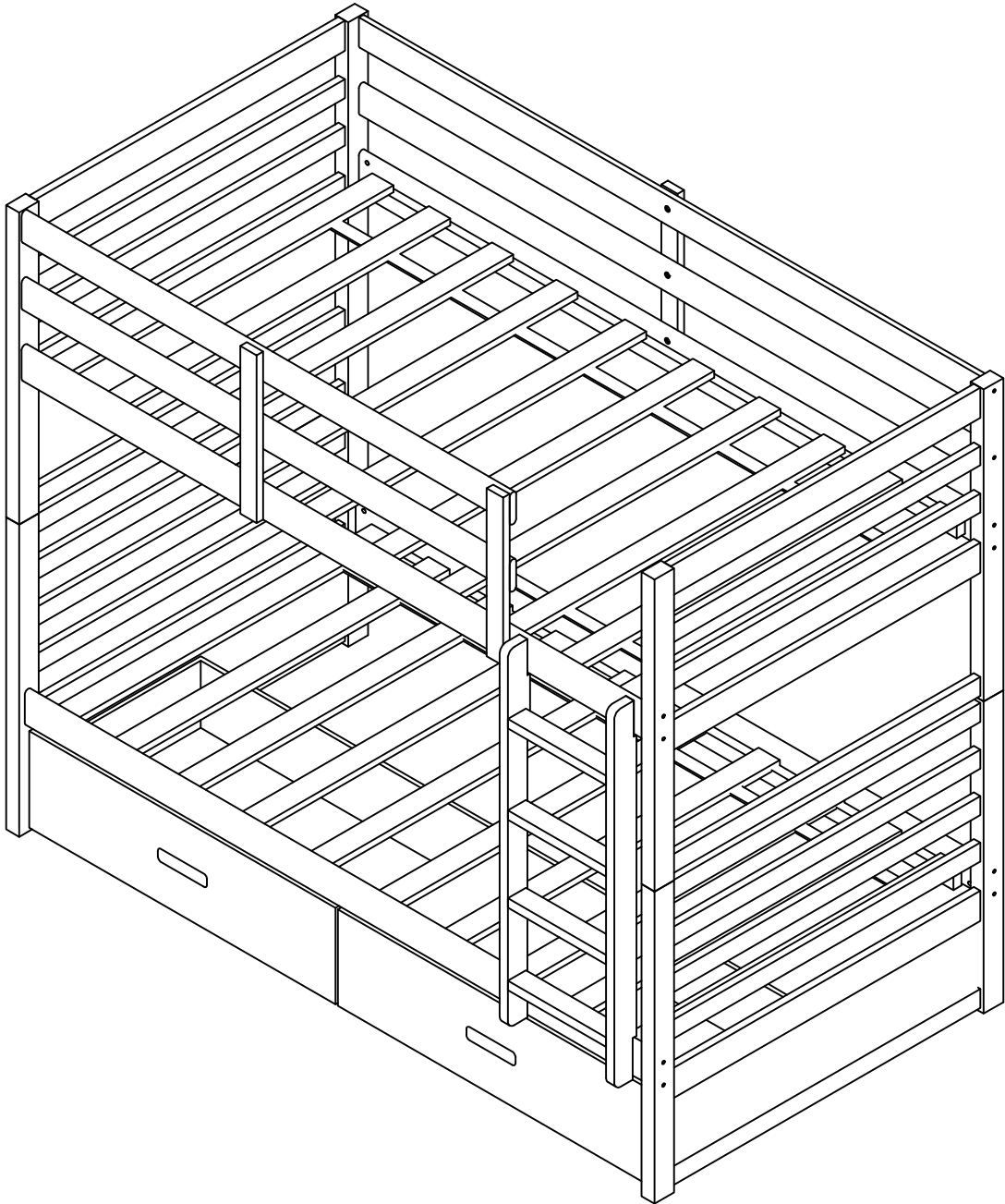


# ASSEMBLY INSTRUCTIONS

**ITEM: ARTICLE: T2710**



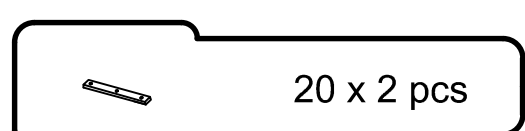
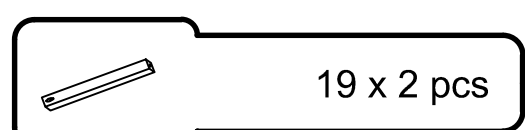
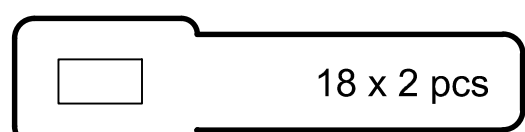
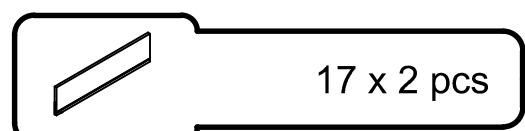
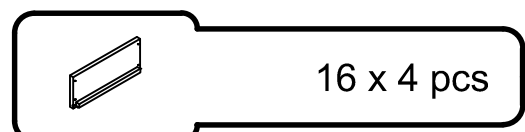
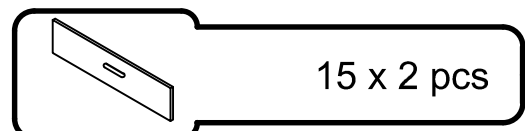
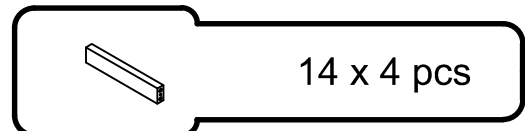
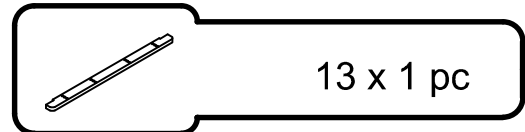
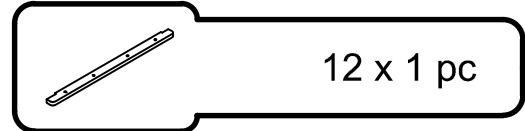
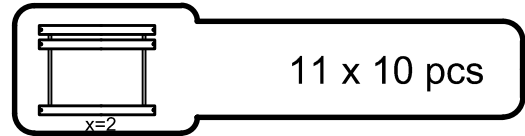
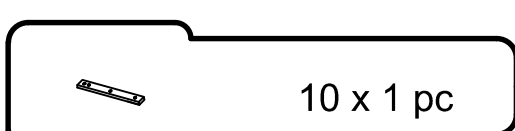
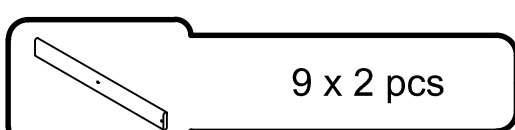
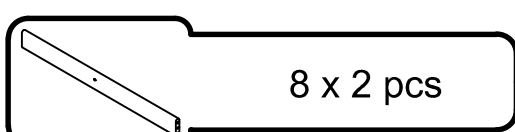
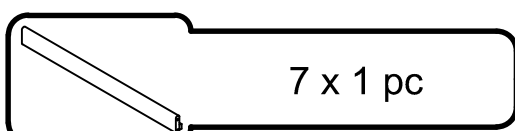
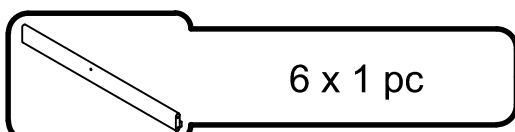
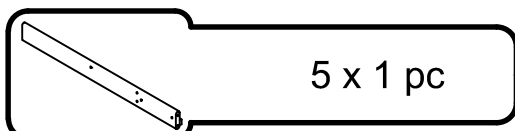
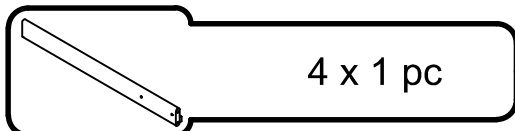
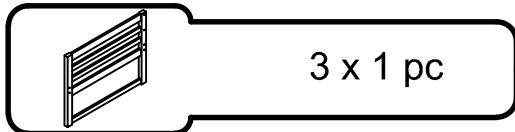
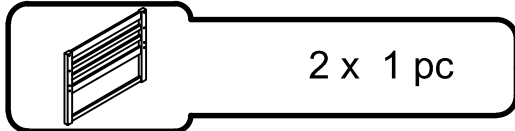
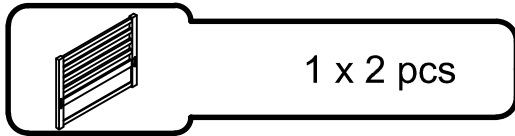
2 PERSONS RECOMMENDED

EASY

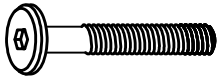


DIFFICULT

# Parts List



# Hardware List



A x 16 pcs

BOLT 1/4 X 80 (F15)



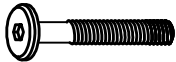
B x 6 pcs

BOLT Ø6.3 x 80 (F15)



C x 16 pcs

Screws \_noom



D x 14 pcs

BOLT 1/4 X 35 (F15)



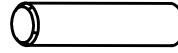
E x 40pcs

Wood Screw Ø4 x 30



F x 20 pcs

Wood Screw Ø4 x 25



G x 4 pcs

Ø9 x 90



H x 1 pc

Allen Wrench M4



I x 28 pcs

Ø8 x30



J x 8 pcs

BOLT Ø6.3 x 50 (F15)



K x 8 pcs

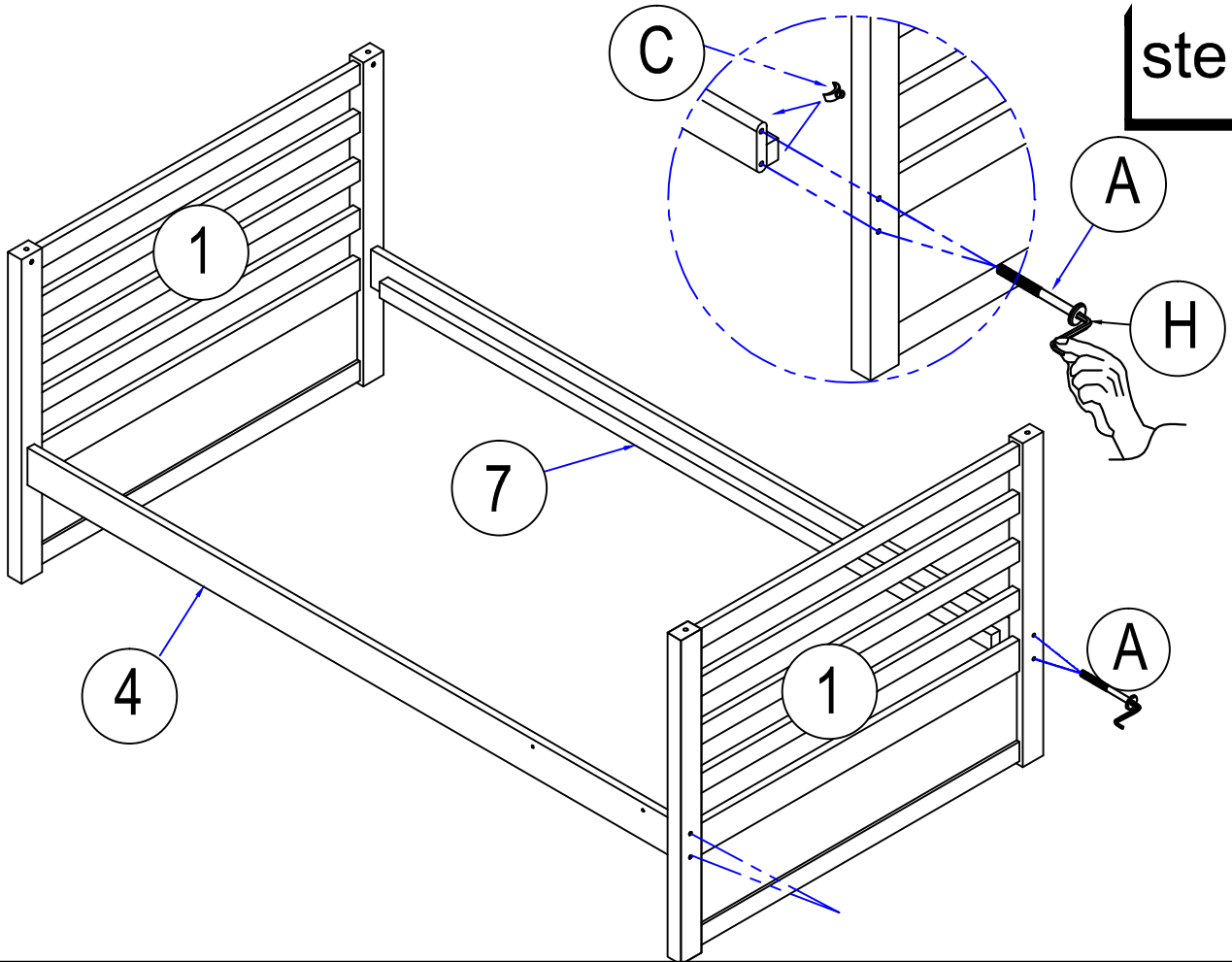
BOLT Ø6.3 x 50 (F15)



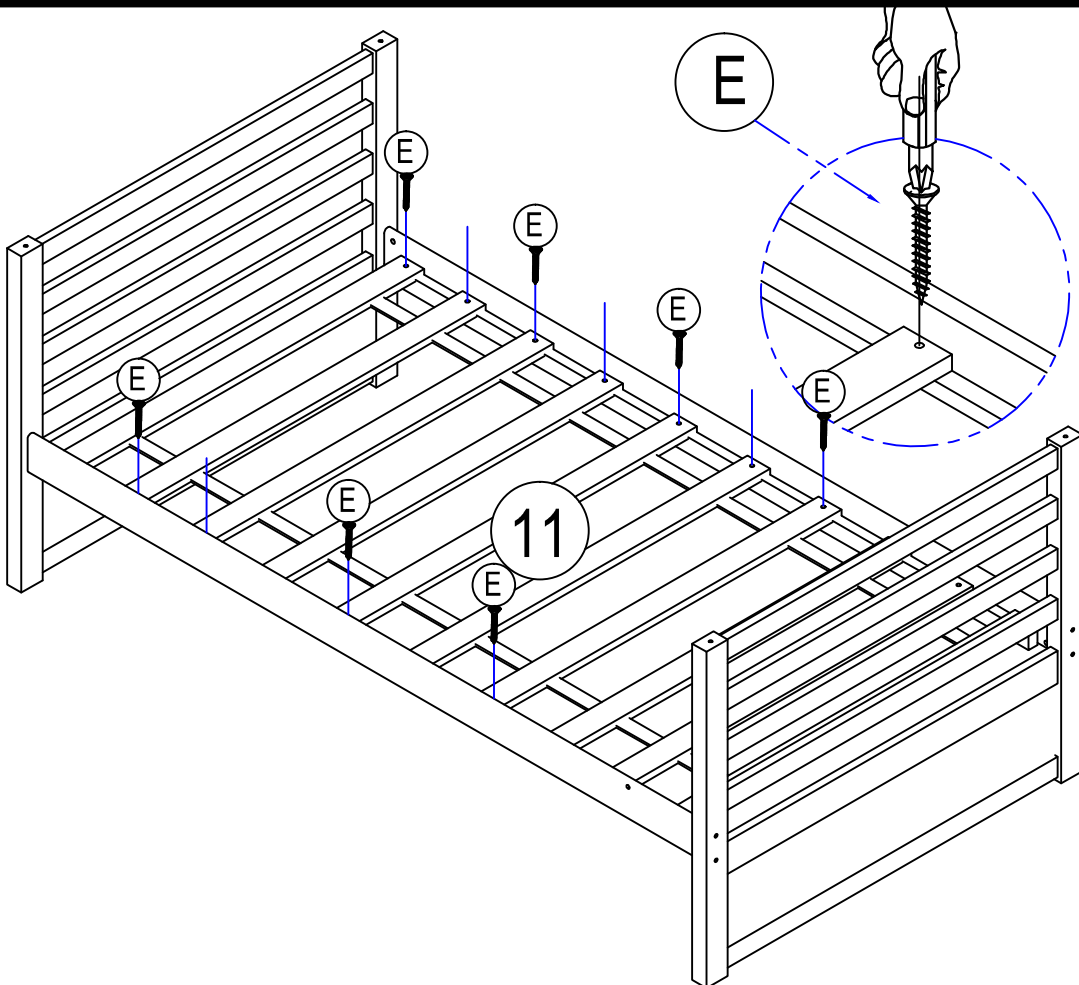
L x 16 pcs

Wood Screw Ø3.5 x 15

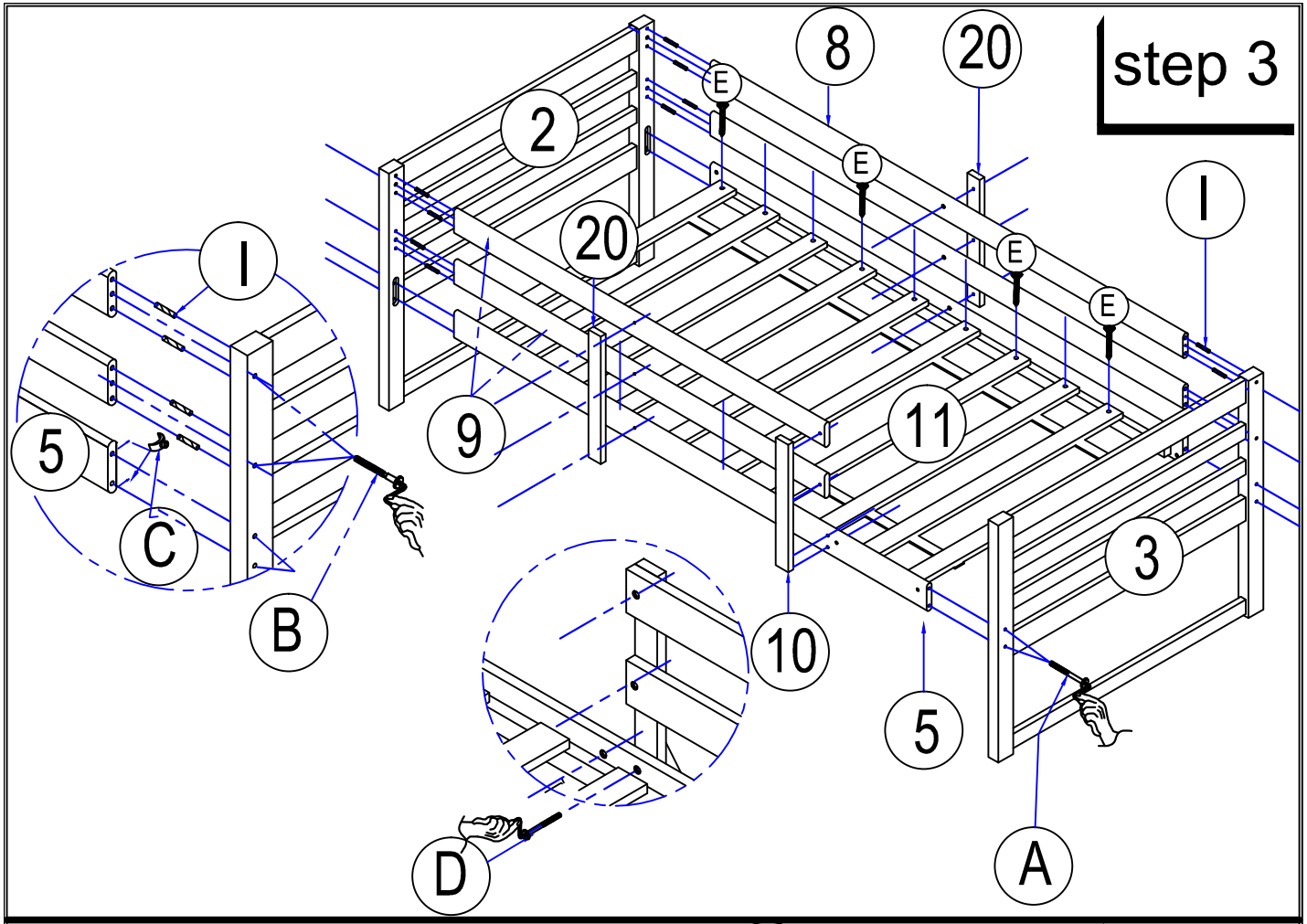
step 1



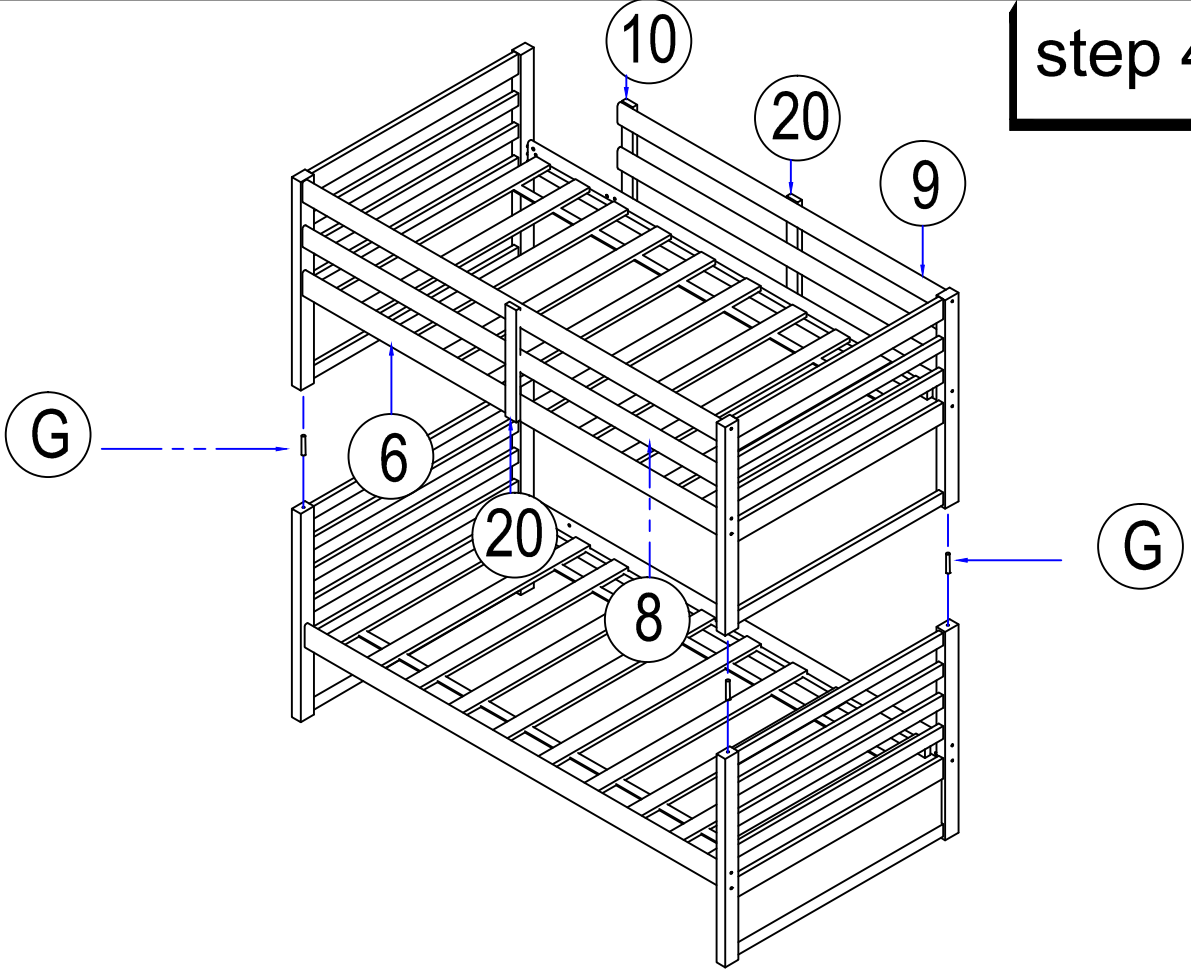
step 2



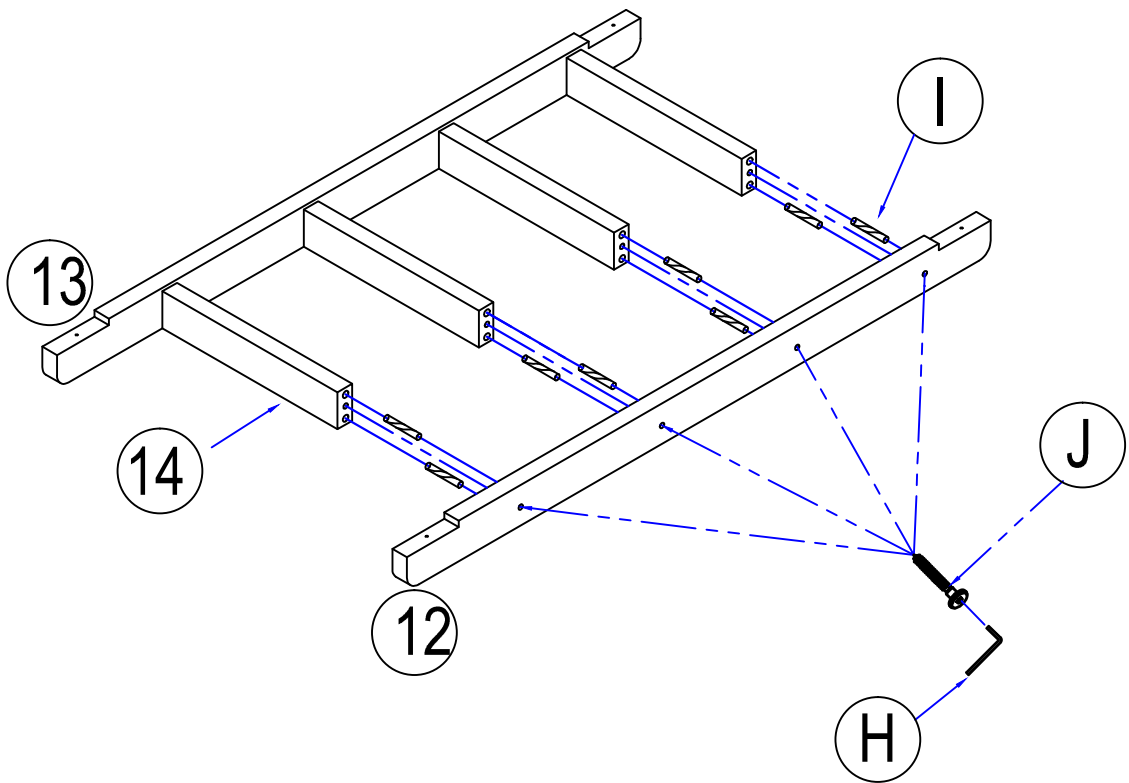
step 3



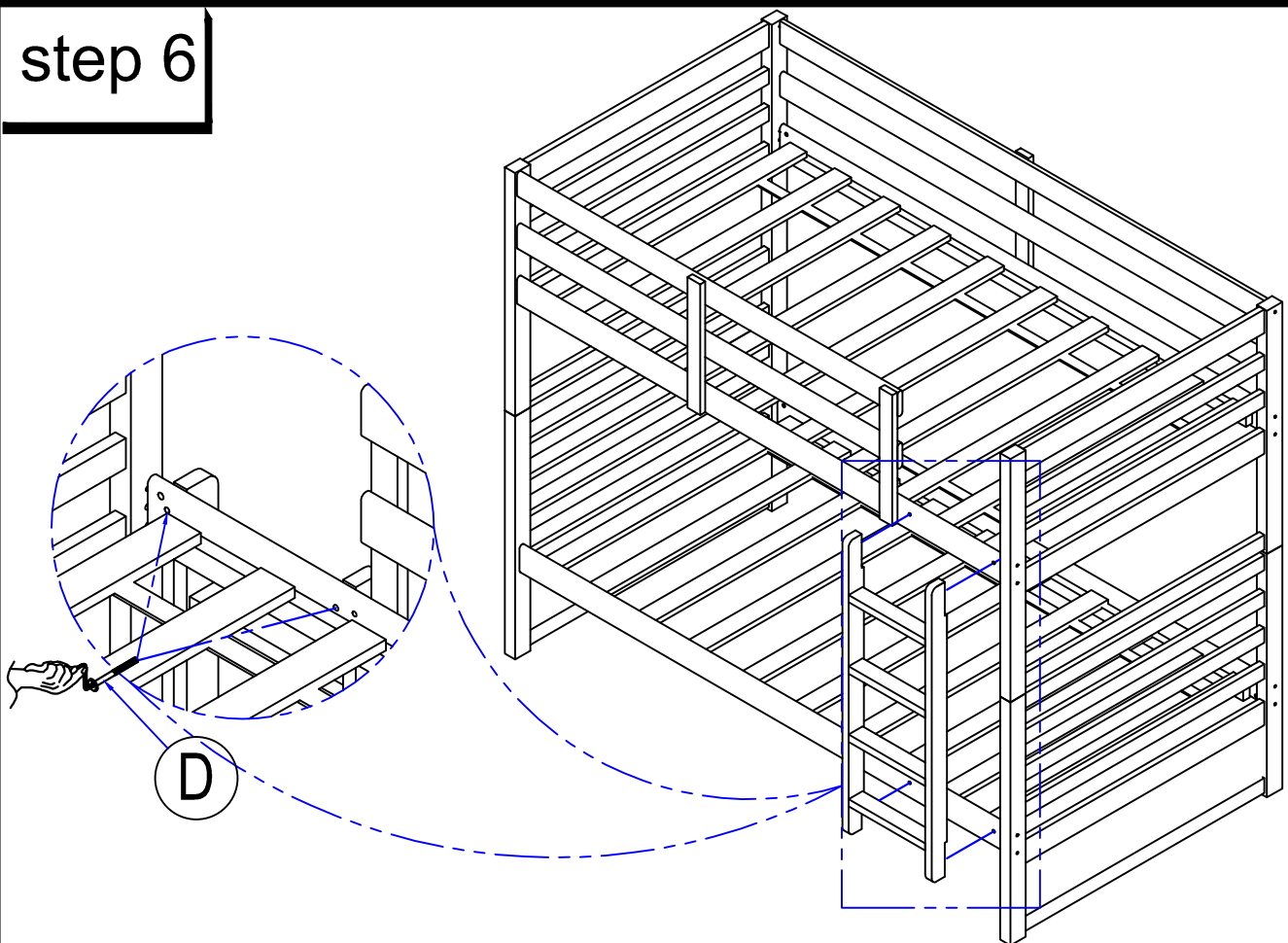
step 4



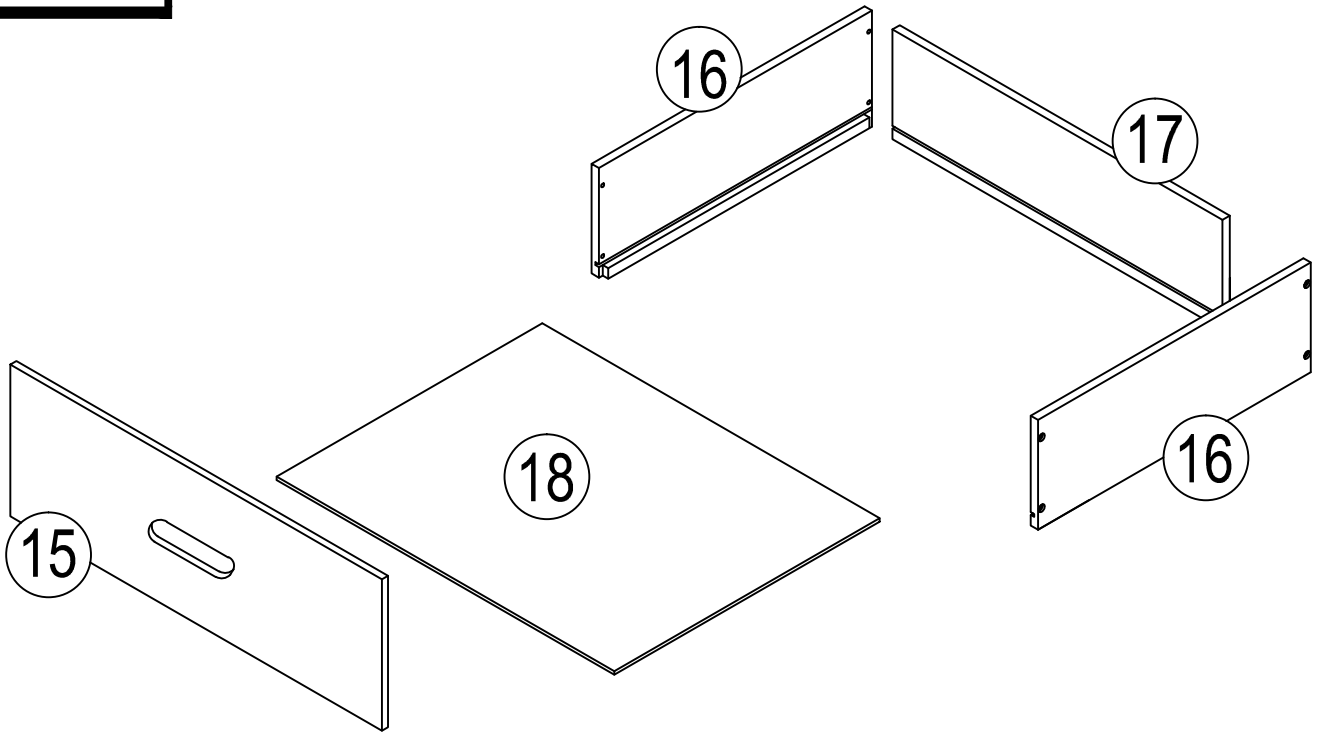
# step 5



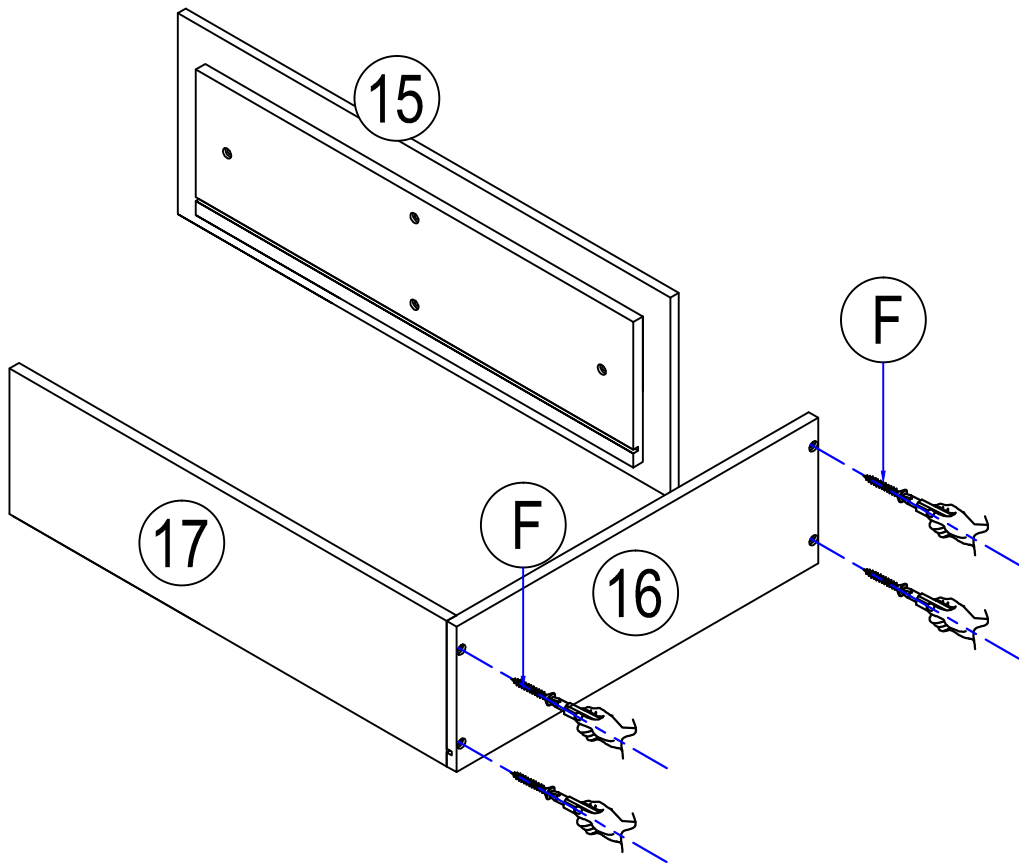
# step 6



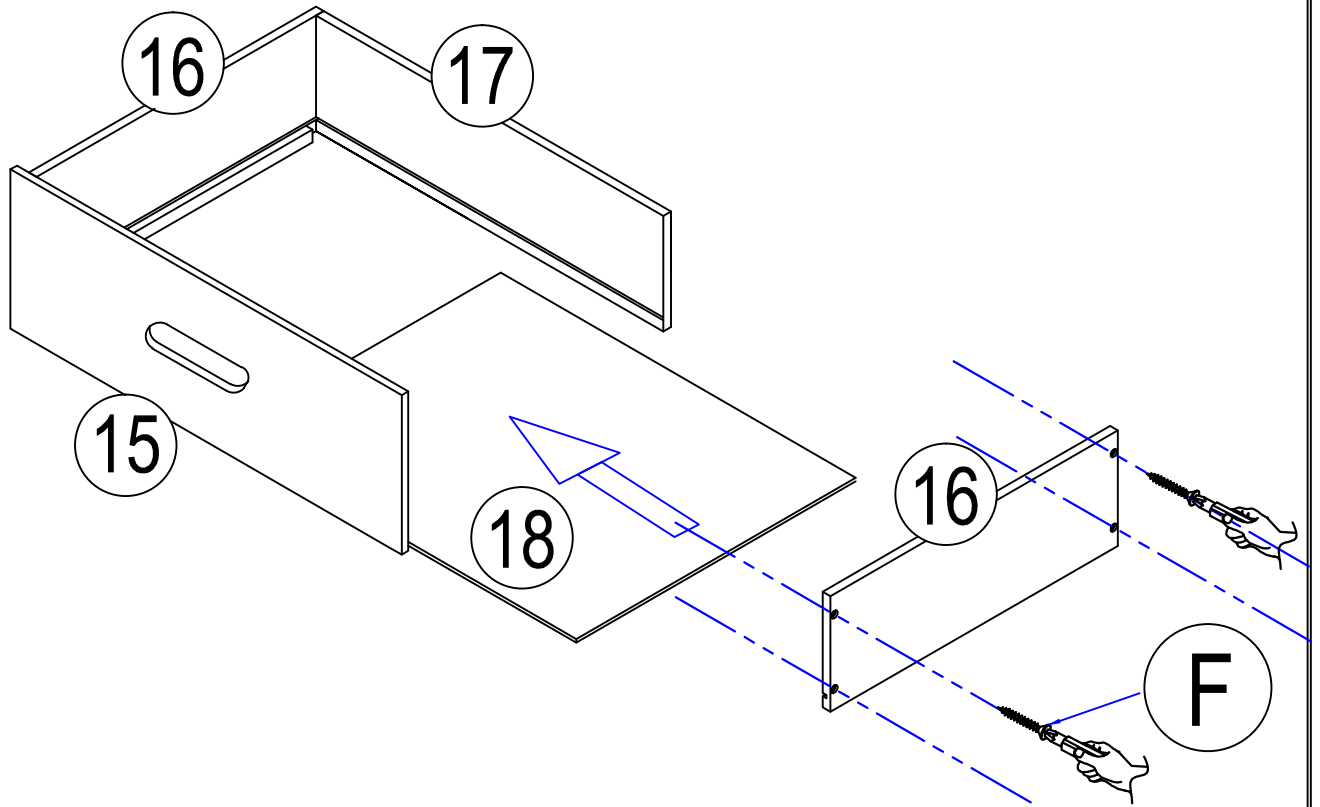
# step 7



# step 8



step 9



step 10

