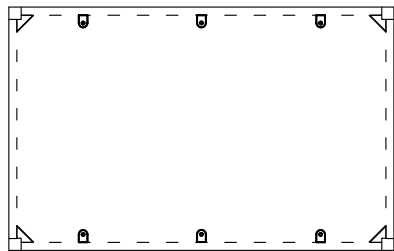
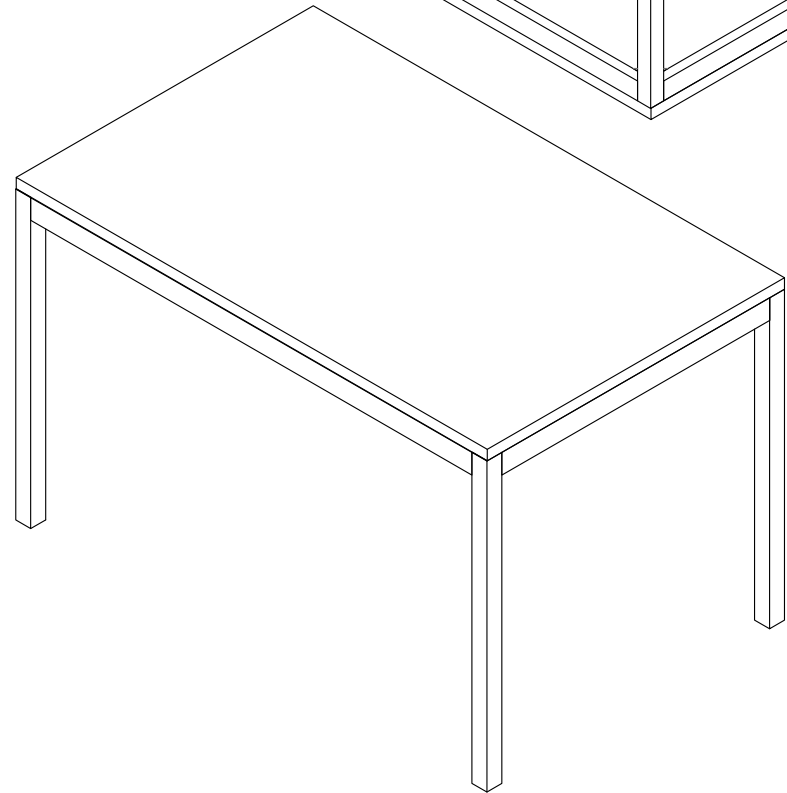
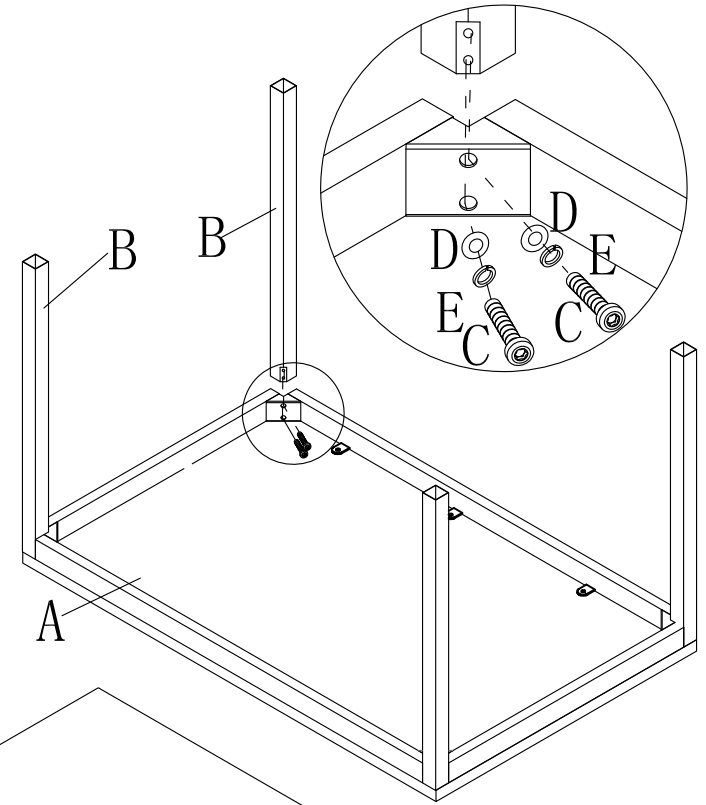
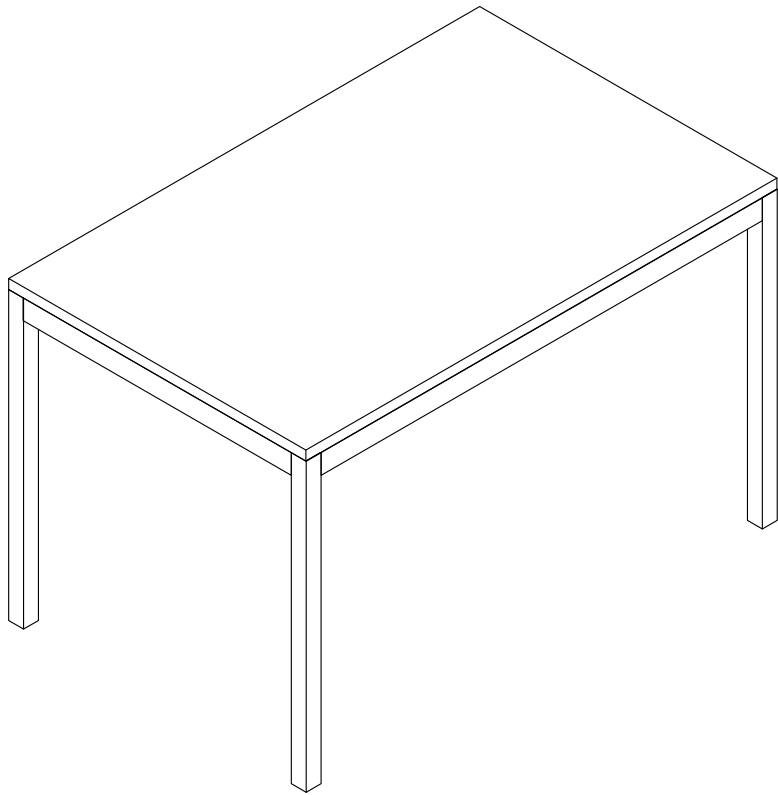


ASSEMBLY INSTRUCTIONS



A*1PCS



B*4PCS



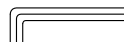
M8*50mm
C*8PCS



∅18*∅8.5
D*8PCS

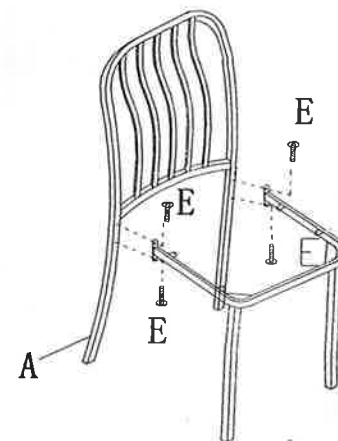
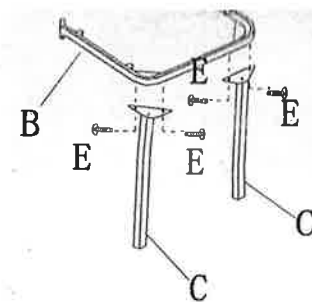
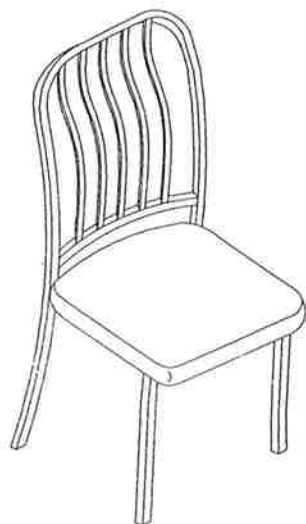









M8
E*8PCS



M8
F*1PCS

ASSEMBLY INSTRUCTIONS



			
A*1PC	B*1PC	C*2PCS	D*1PC
$\frac{1}{4}$ "*16MM'	M5*18MM	4M	
			
E*8PCS	F*4PCS	G*1PC	

