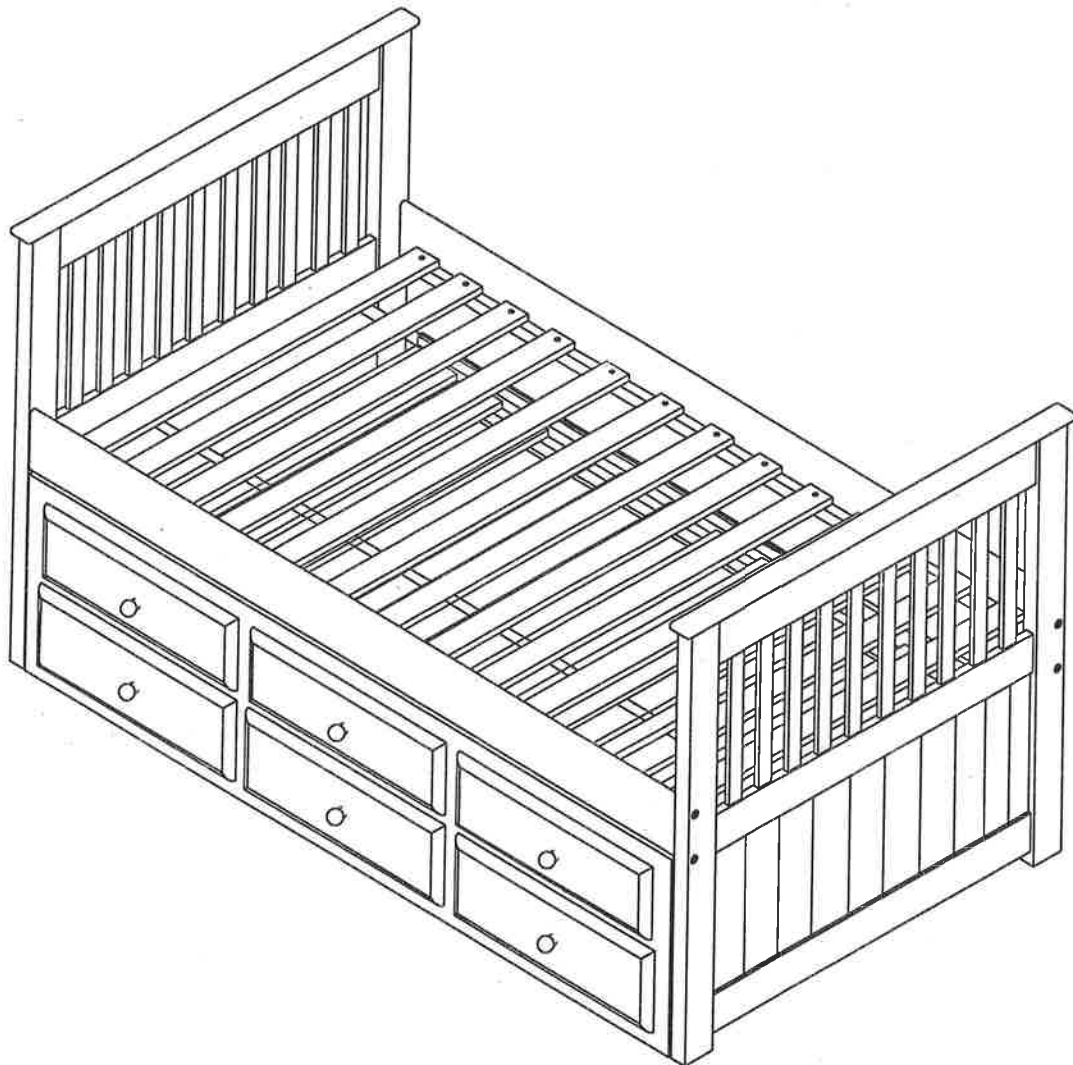


NEW

Assembly Instructions

Item: # T2100



Read all for page



DIFFICULT

EASY



2 PERSONS RECOMMENDED

Tools Required For Assembly:







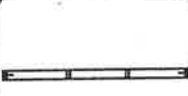
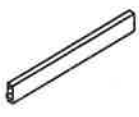
Allen Wrench


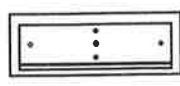




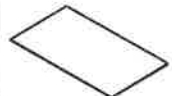
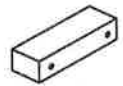














(Included)

Ver 2: 9-07-22

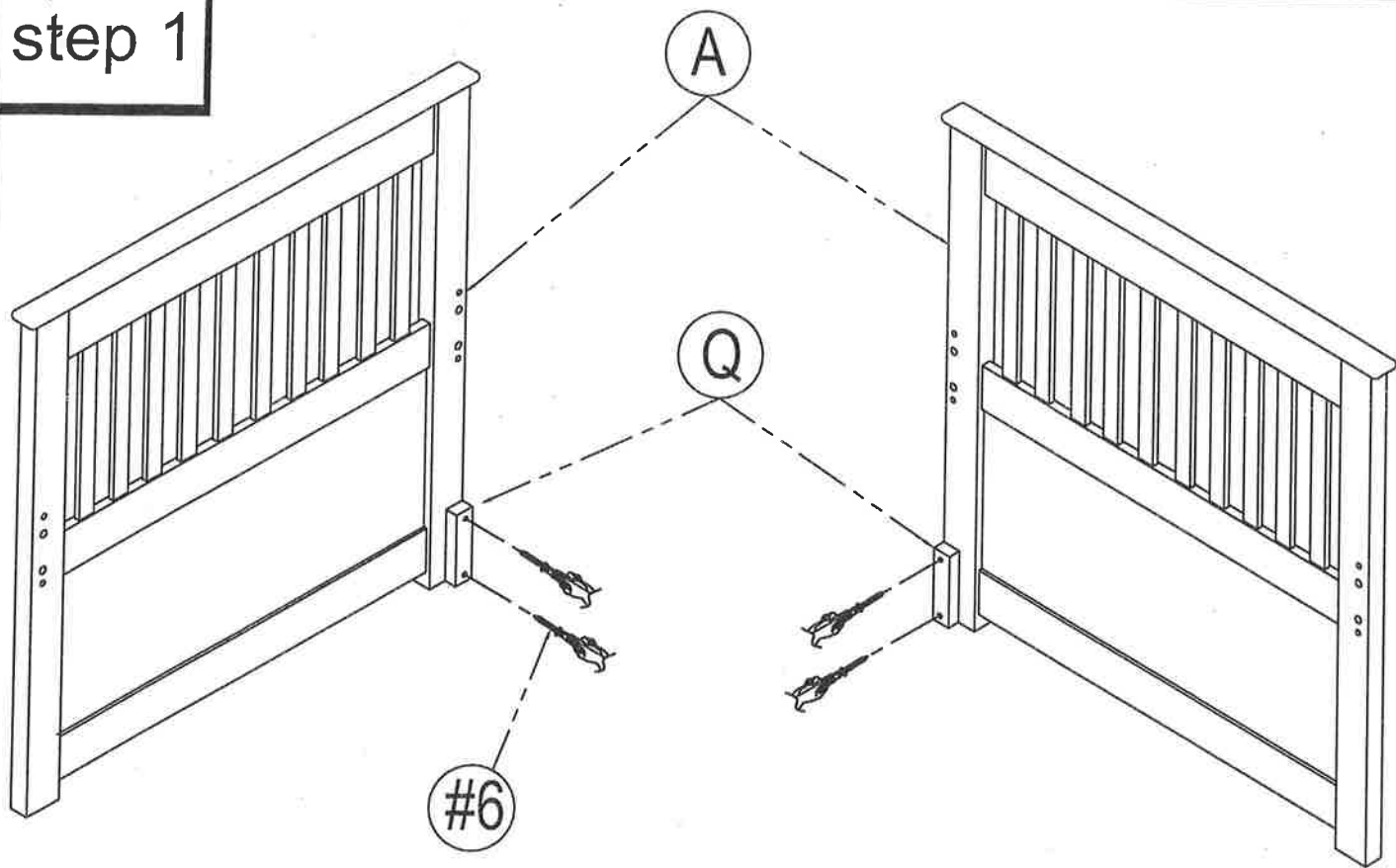
Parts List

	A x 2 pcs HEAD BROAD/FOOT BROAD
	B x 1 pc TRUNDLE FRONT FRAME
	C x 1 pc TRUNDLE SIDE PANEL(L)
	D x 1 pc TRUNDLE SIDE PANEL(R)
	E x 2 pcs RAIL (front/back)
	F x 1 pc RAIL BACK
	G x 1 pcs BRACER
	H x 2 pcs DRAWER SLAT (L)

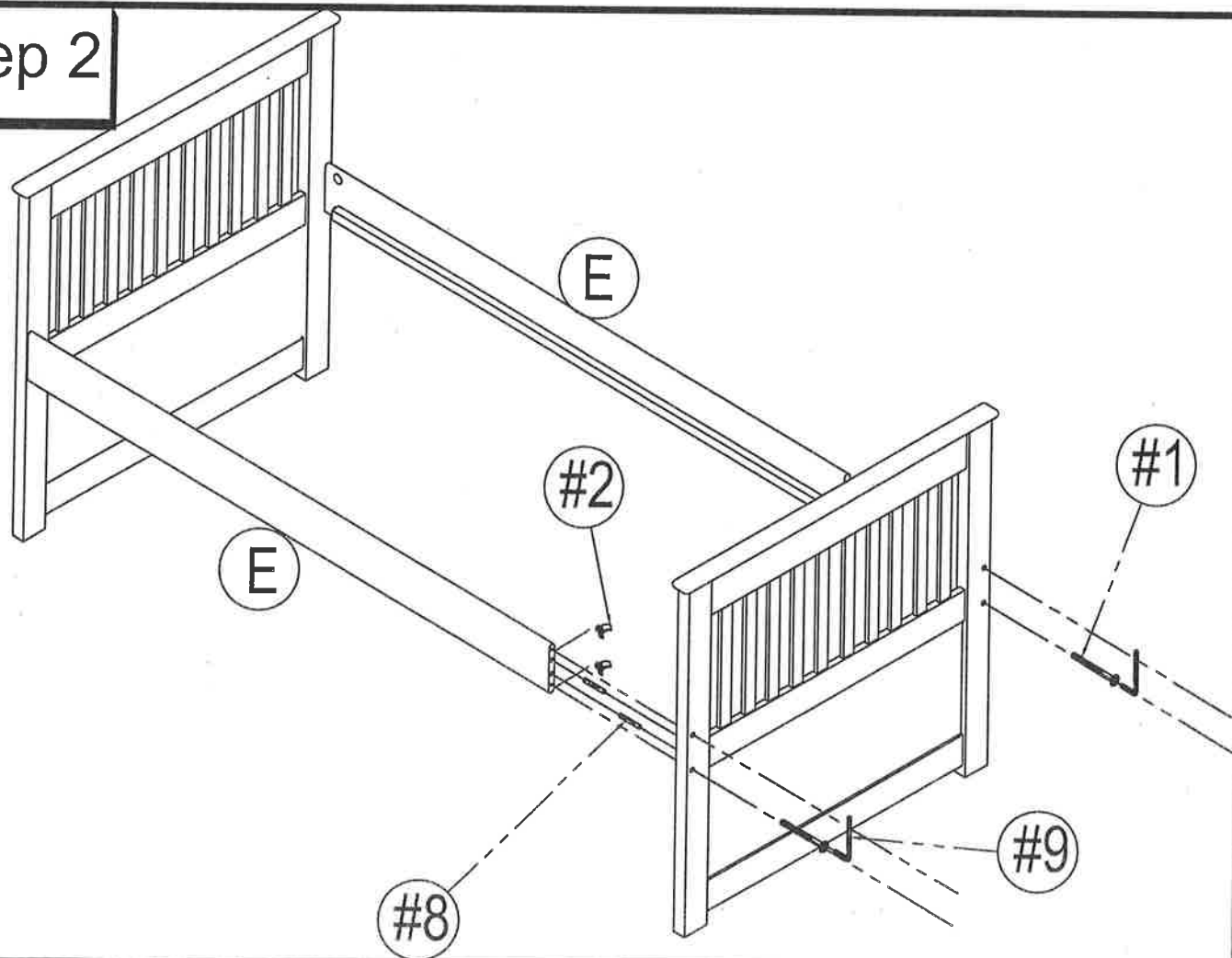
	I x 2 pcs SLATS
	K x 3 pcs DRAWER FRONT /UNDER
	L x 3 pcs DRAWER BACK
	M x 3 pcs DRAWER RIGHT
	N x 3 pcs DRAWER LEFT
	O x 2 pcs DRAWER SLAT (R)
	P x 3 pcs PANEL under box
	Q x 2 pcs

	#1 X 8 pcs BOLT 1/4 X 70 (F15)		#6 X 56 pcs screw 4 x 30
	#2 X 8 pcs 1/4*10x25		#7 X 26 pcs ø8 x 30
	#3 X 18 pcs BOLT 1/4 X 40 (F15)		#8 X 8 pcs ø10 x 40
	#4 X 6 pcs		#11 X 4 pcs wheel
	#5 X 24 pcs screw 4 x 25		#12 X 16 pcs screw 3.5 x 15
			#9 X 1 pc Allen M4
			#10 X 6 pcs 5/32 x 30

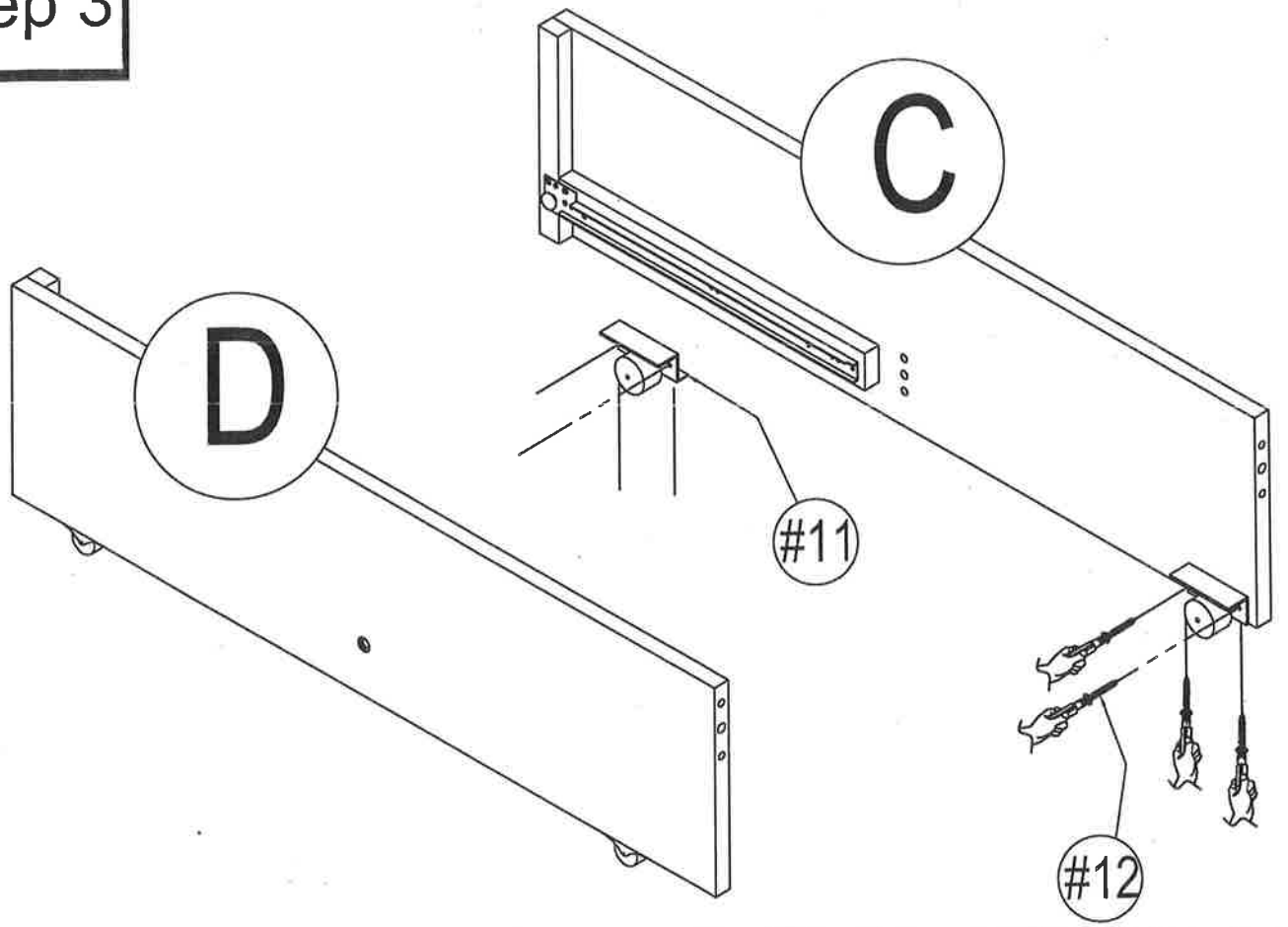
step 1



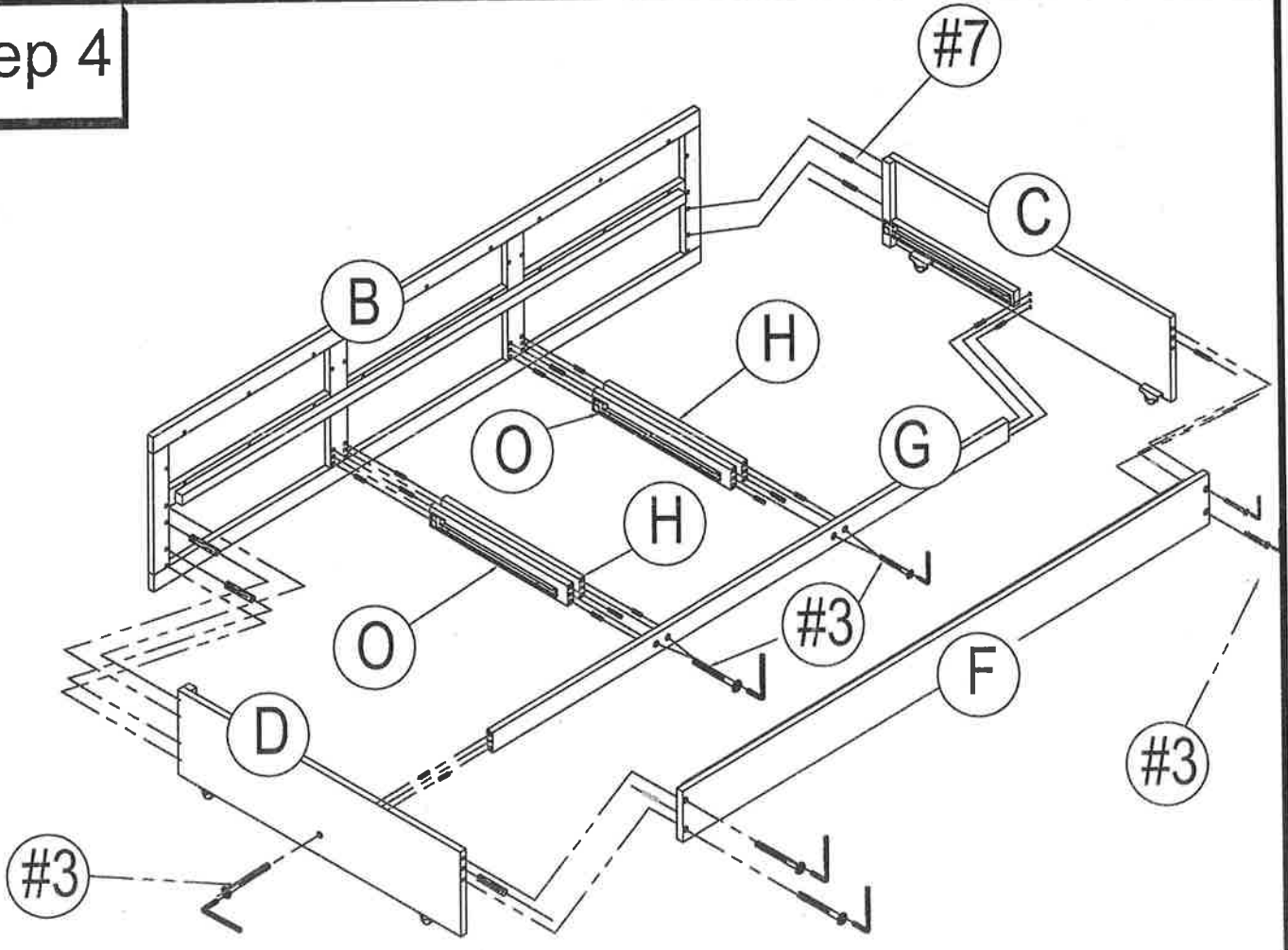
step 2



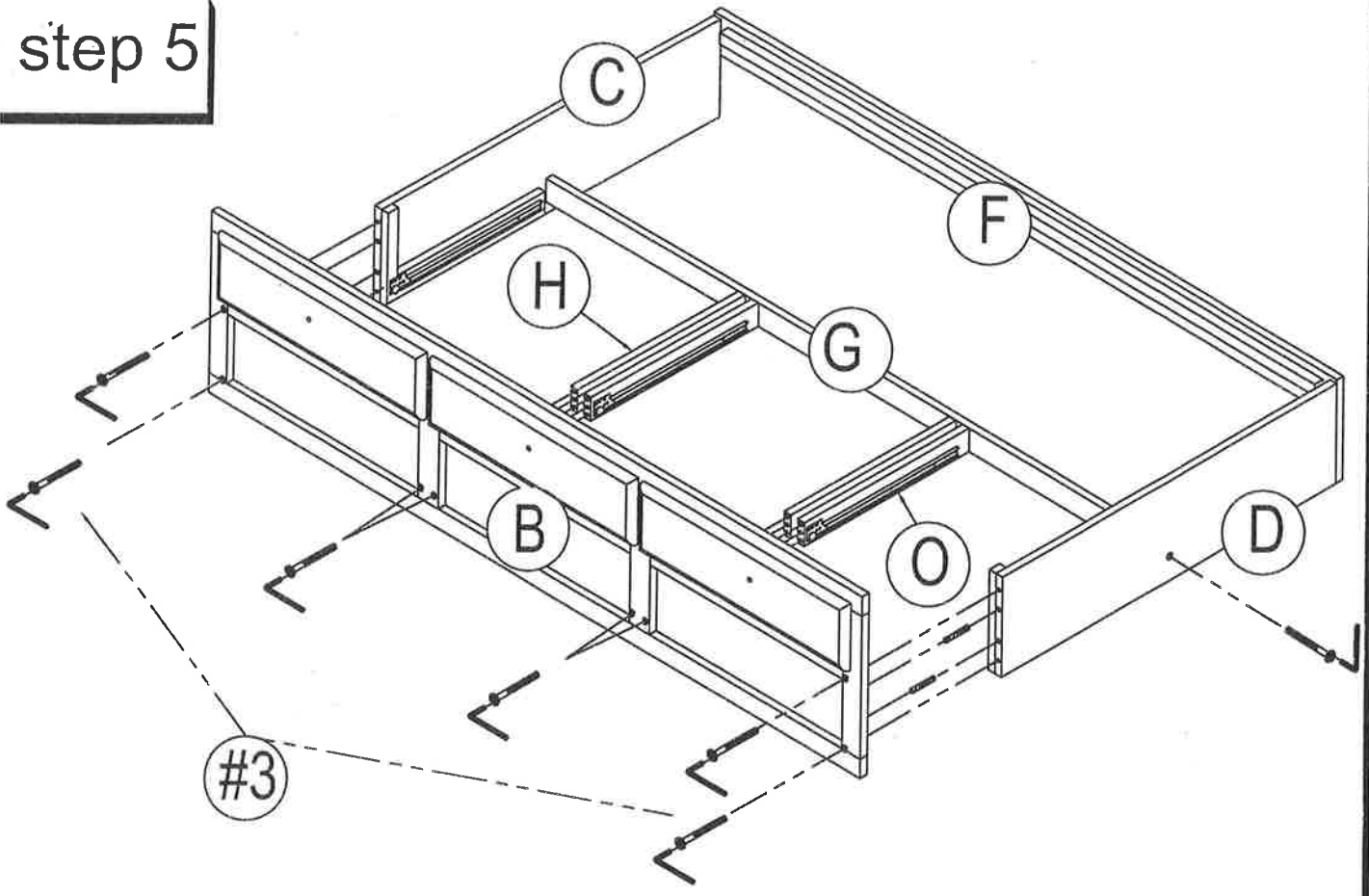
step 3



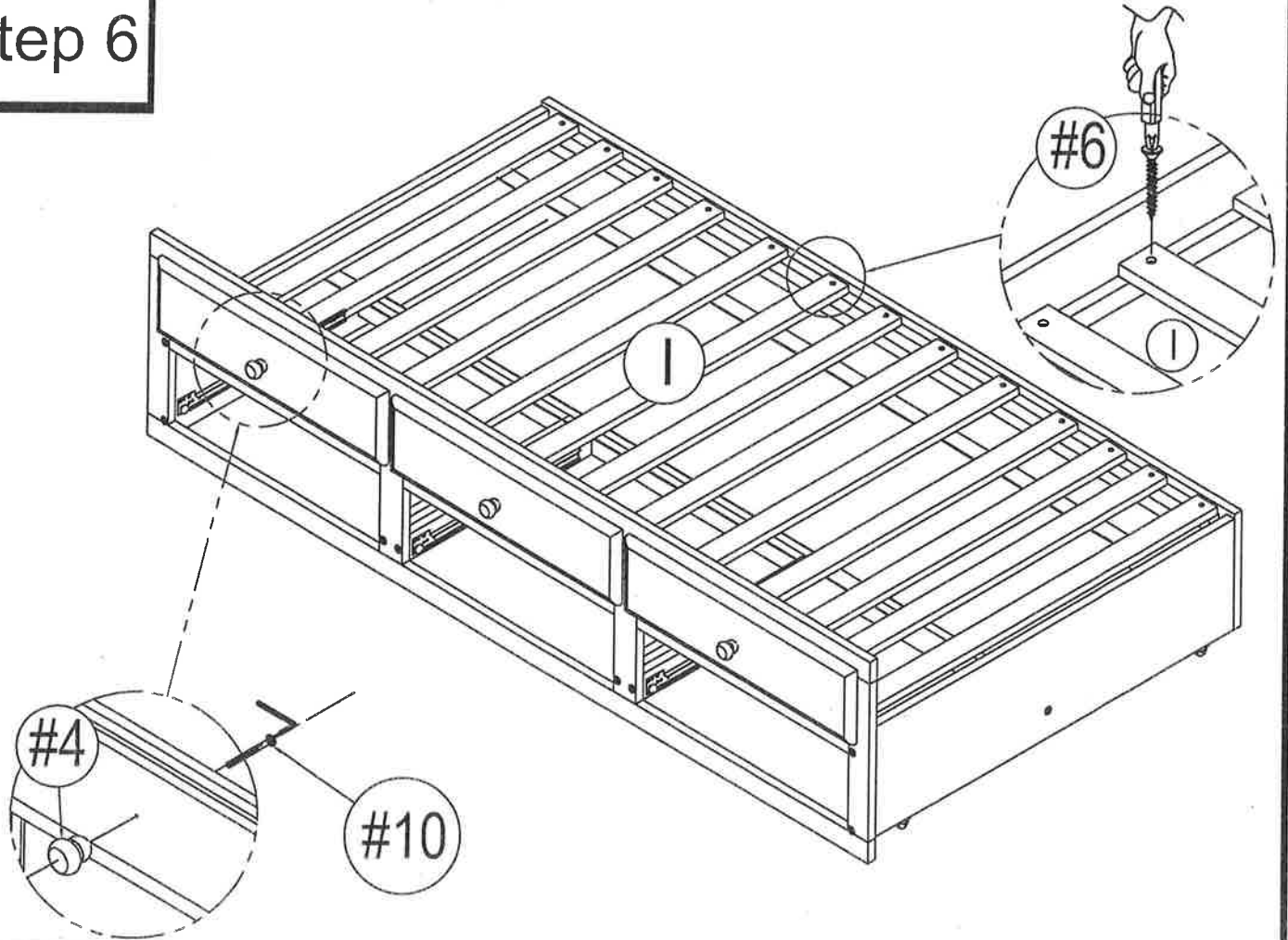
step 4



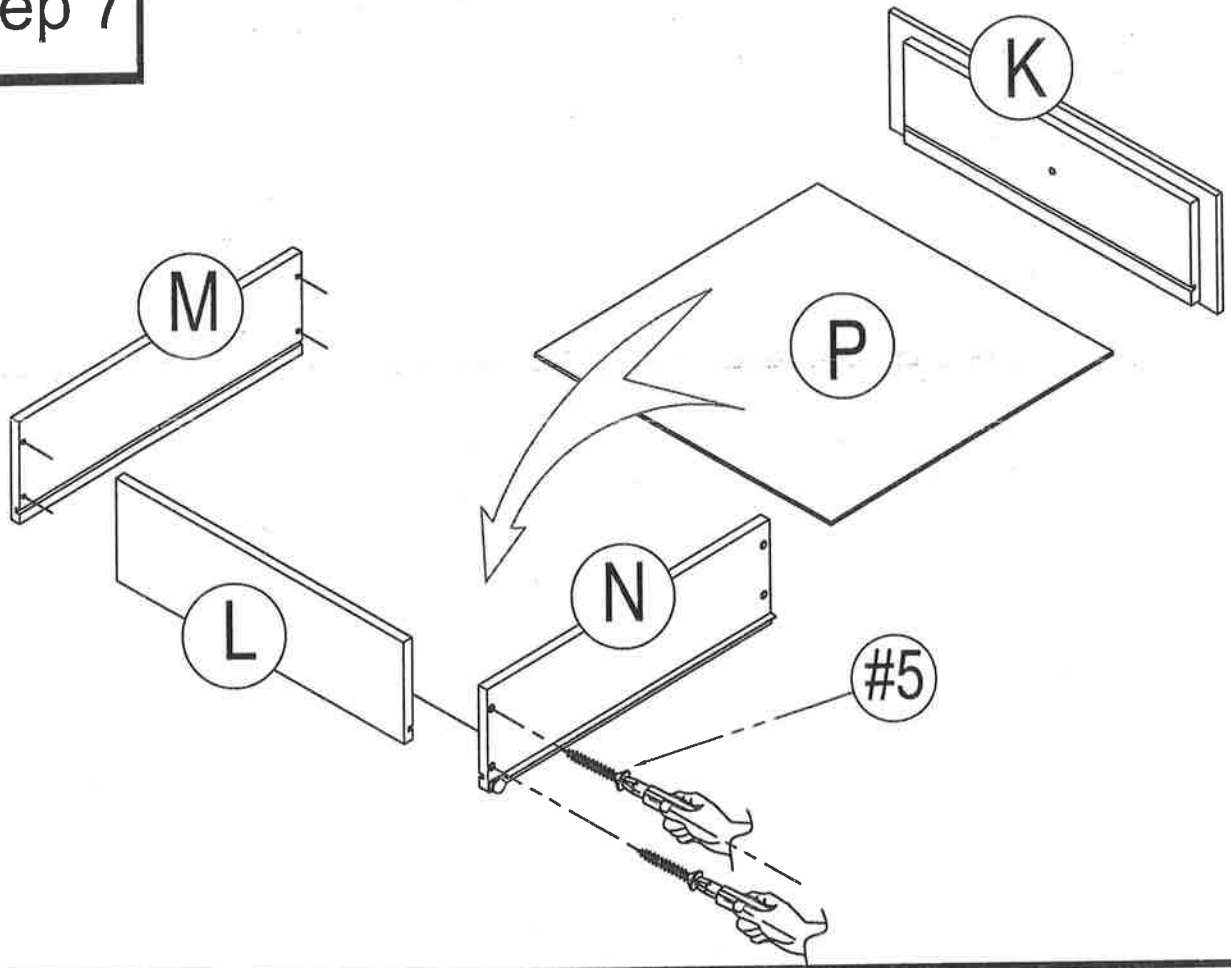
step 5



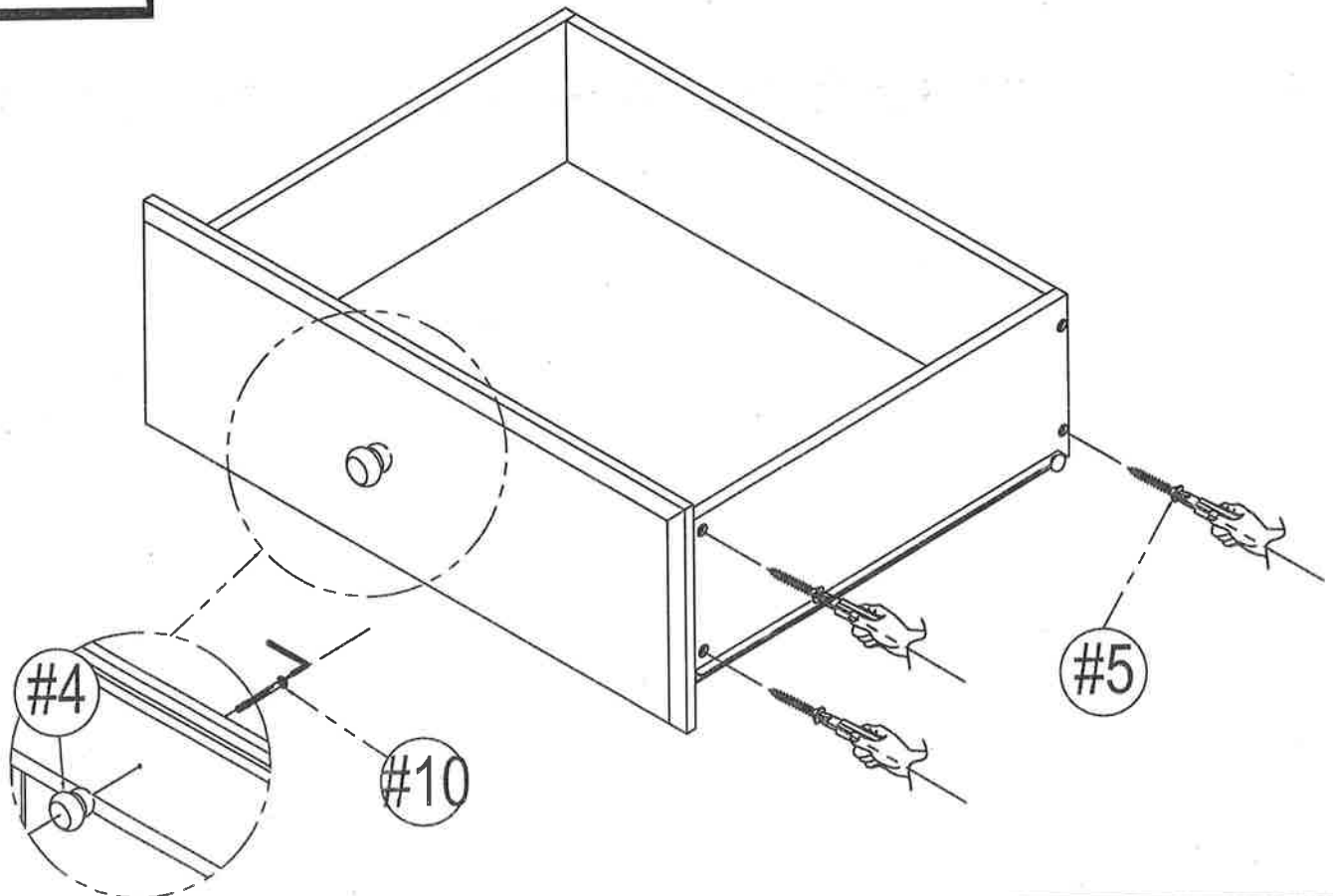
step 6



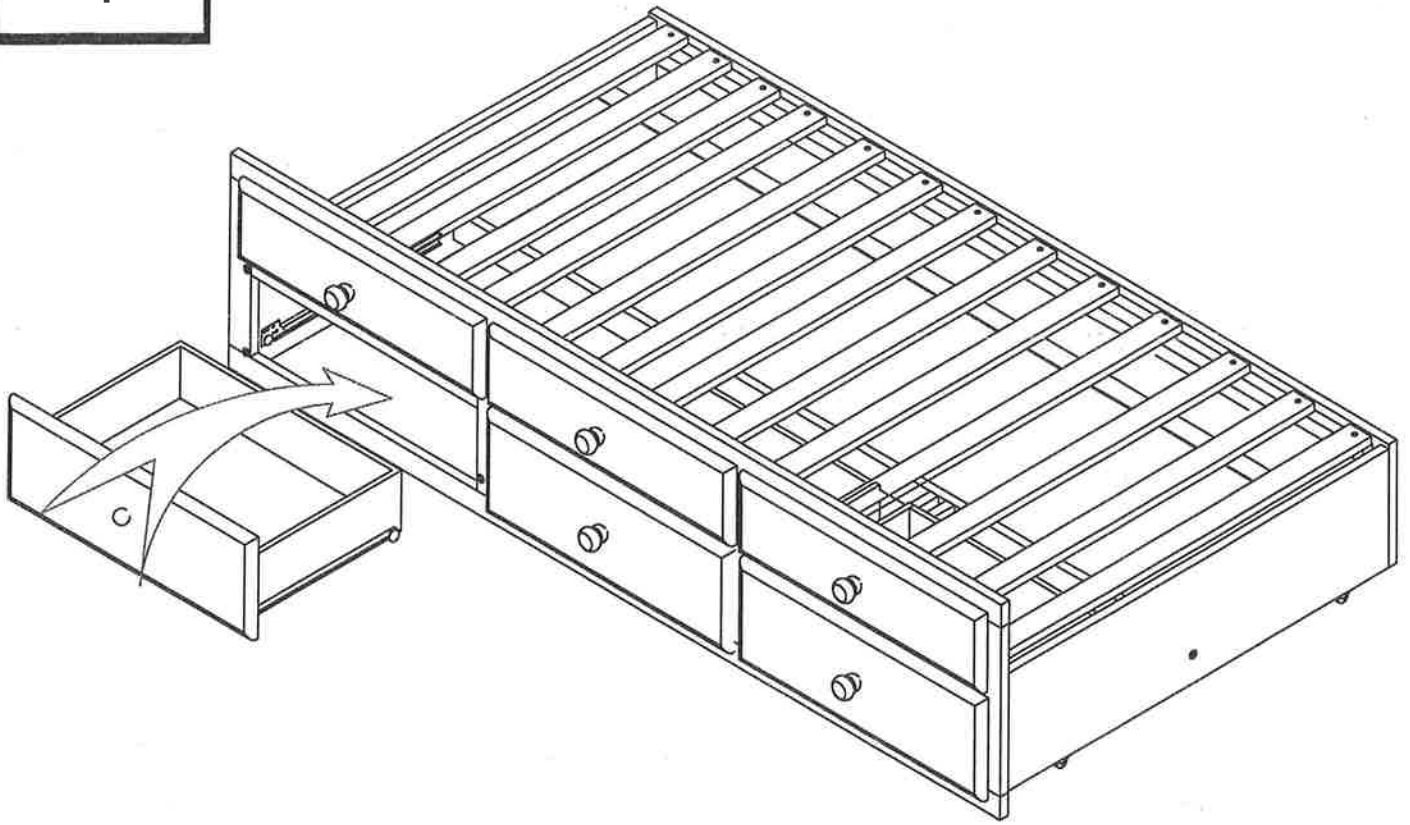
step 7



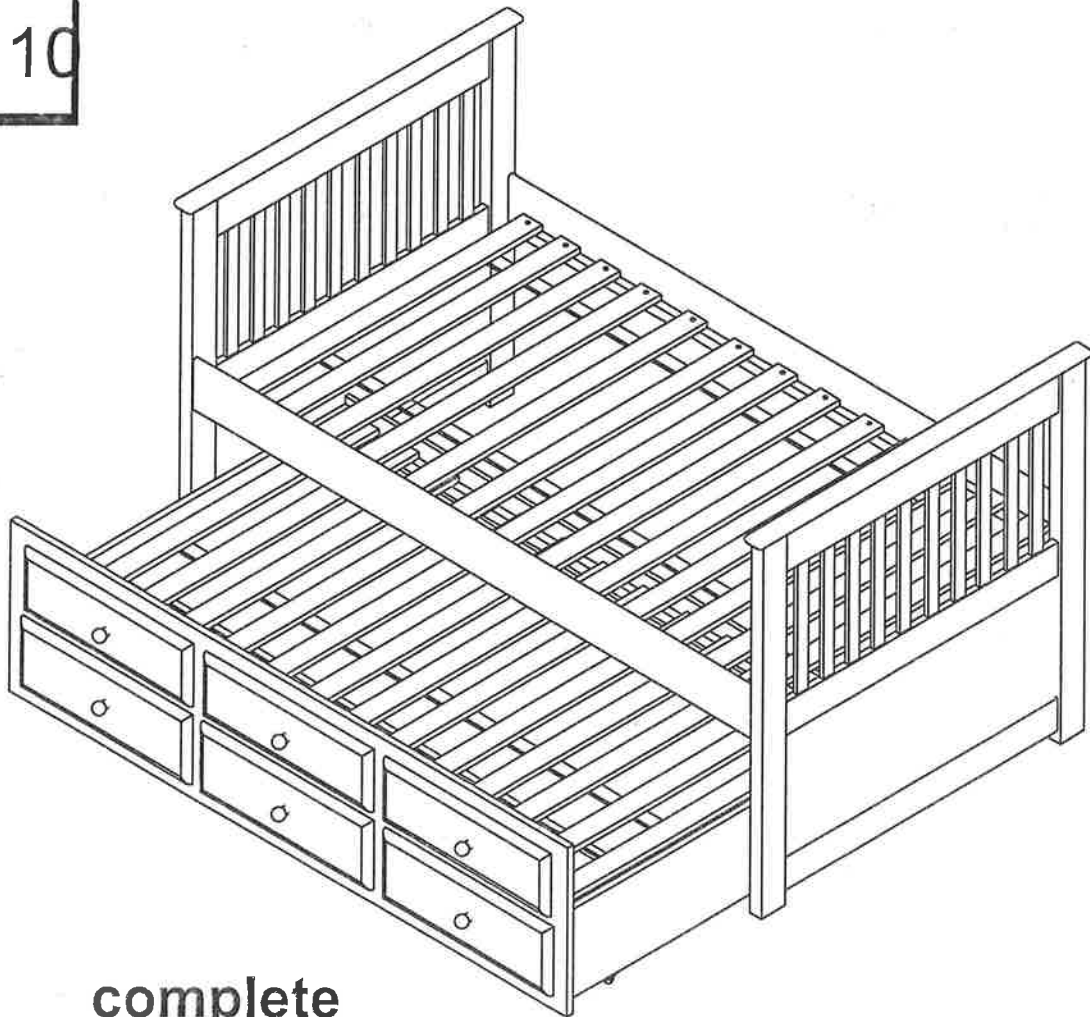
step 8



step 9



step 10



complete