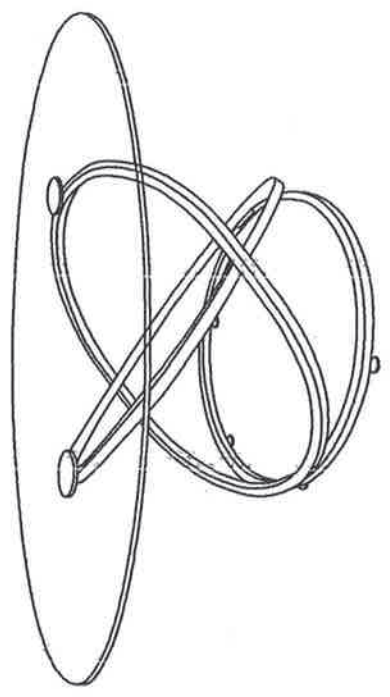
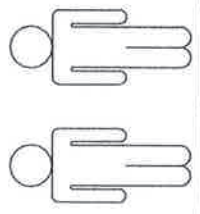
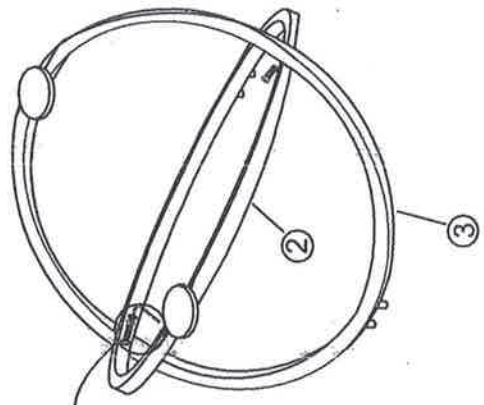
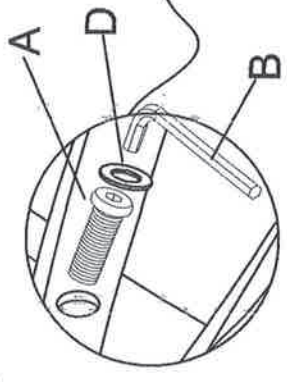


# ASSEMBLY INSTRUCTION



1	X1	4	X1	X1	X4	X10	X4	X6	
A	B	C	D	E	F	G	H	I	J
$\phi 6 \times 30$	$\phi 6 \times 10$	$\phi 8 \times 10$	$\phi 8 \times 16$	$\phi 6 \times 16$					

1



2

