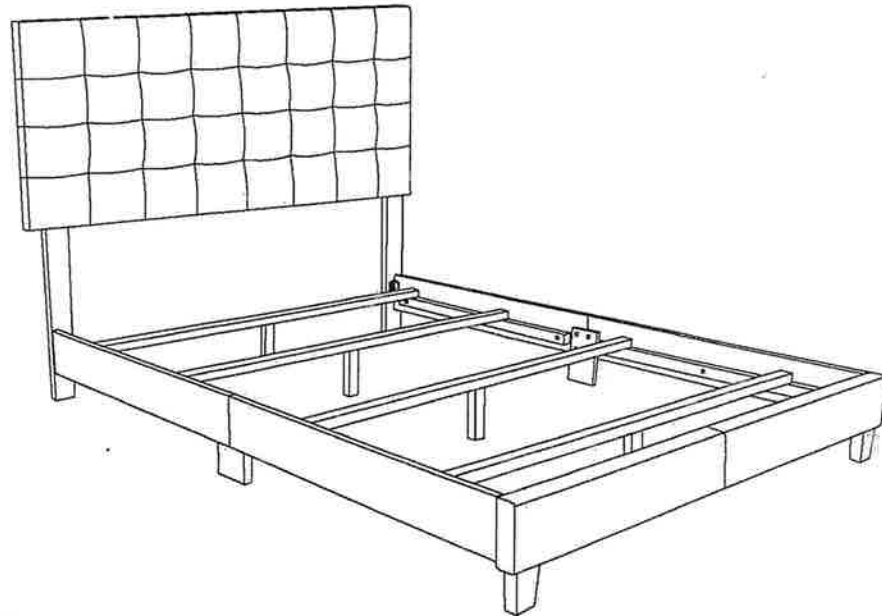
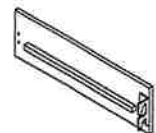
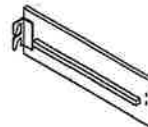
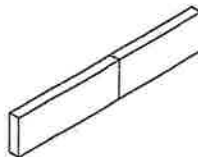
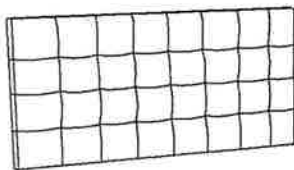


T2114-T/D/Q ASSEMBLY INSTRUCTION



PARTS LIST

- ①-Head Board(1pc) ②-Foot Board (1pc) ③-Side Rails (2pcs) ④-Side Rails (2pcs)



- ⑤-Center Support
(4pcs)Bar



- ⑥-Support Legs(4pcs)



- ⑦-Siderails
Support legs(2pcs)



- ⑧-HB Foot (2pcs)



- ⑨-Footboard Legs(2pcs)



HARDWARE LIST

A Bolt 30mm 16pcs



B Bolt 75mm 2pcs



C Bolt 40mm 4pcs



D Spring Washer 8pcs



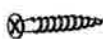
E Flat Washer Ø20 28pcs



F M8 Allen Key 1pc



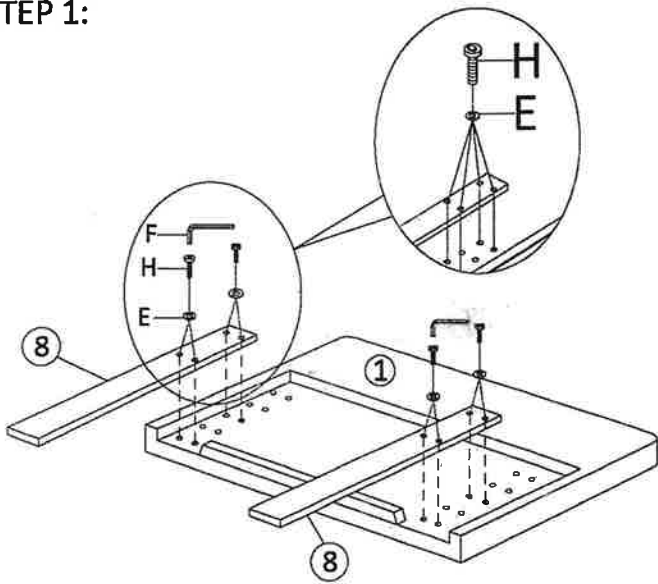
G Self tapping screw 8pcs



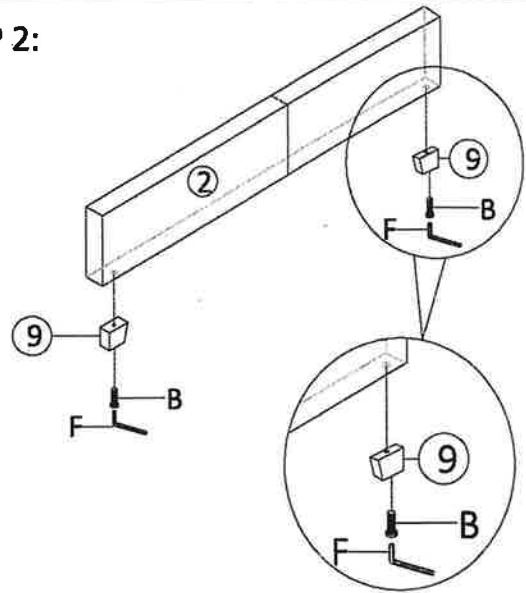
H Bolt 60mm 8pcs



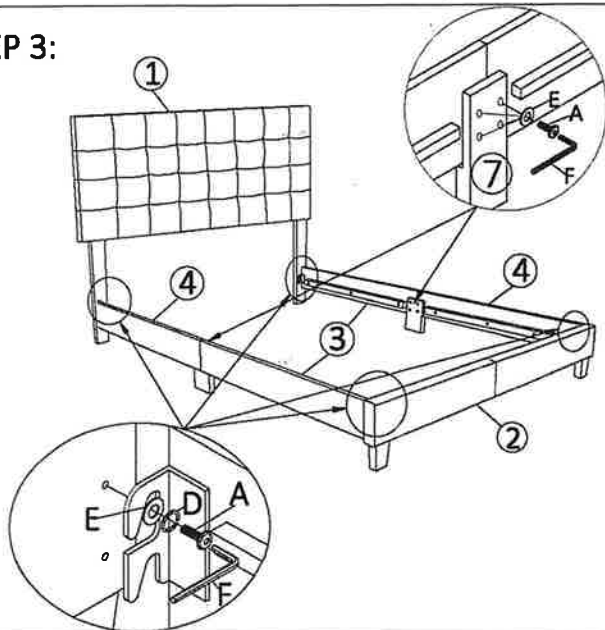
STEP 1:



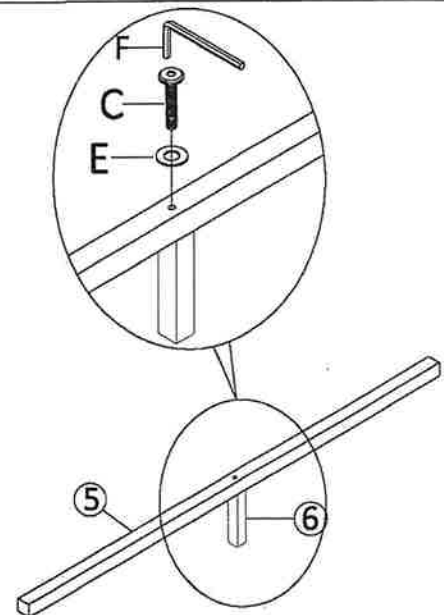
STEP 2:



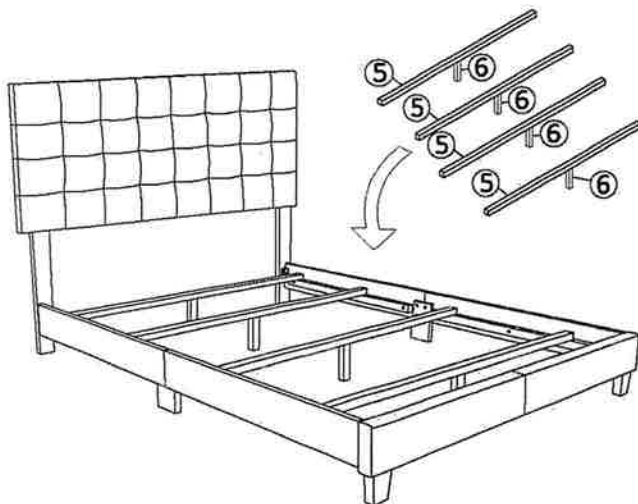
STEP 3:



STEP 4:



STEP 5:



STEP 6:

