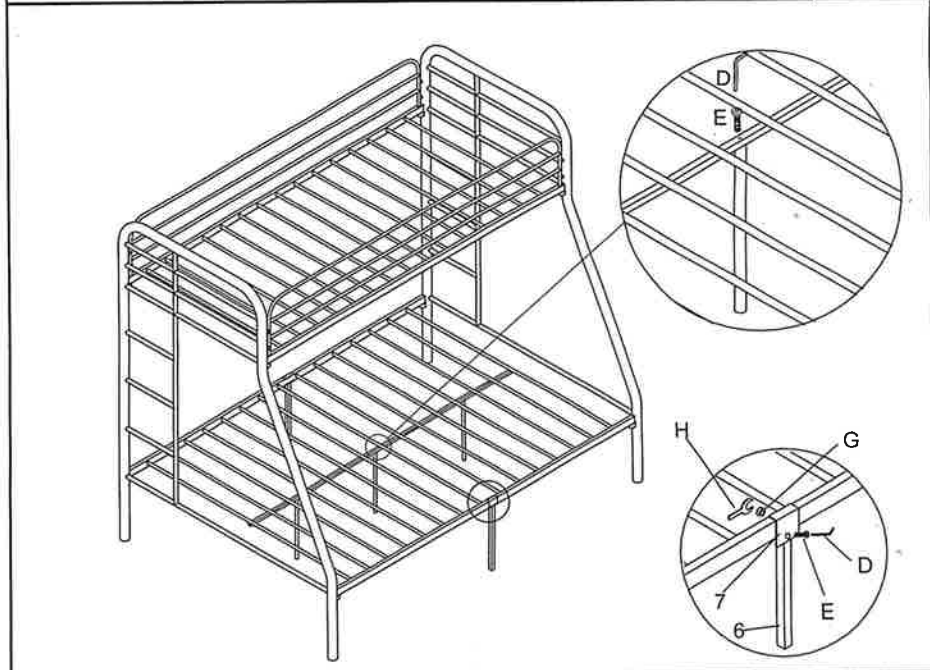
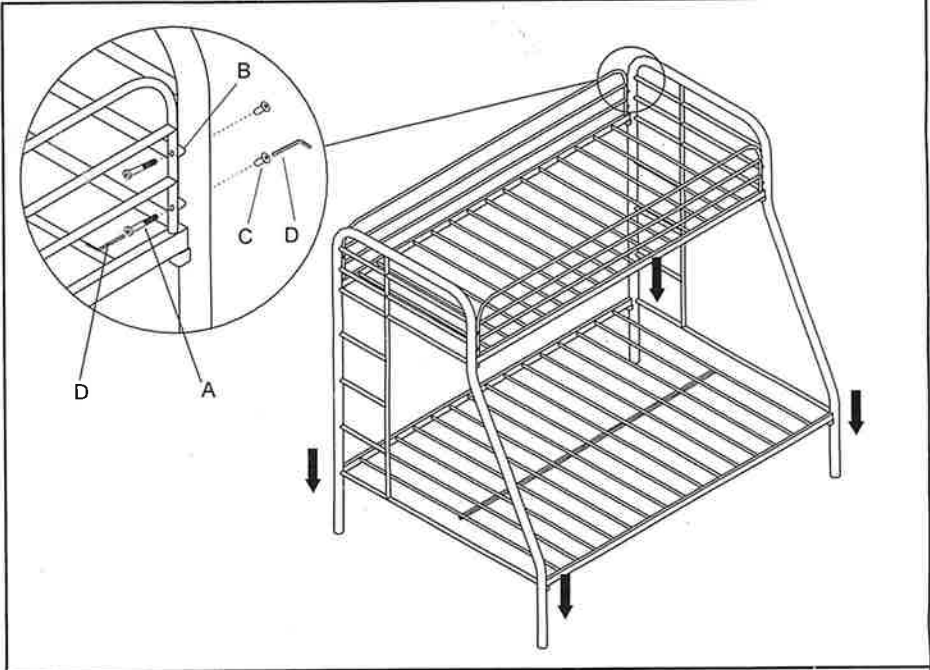


ASSEMBLY INSTRUCTION

2820



1.x2 	2.x1 	3.x1 	4.x2 	5.x3
6.x2 	7.x2 			
Ax8 M8x65mm	Bx8 M8	Cx8 M8	Dx2 M8x35mm	Ex5 M8x35mm
	Gx2 M8	Hx1 		