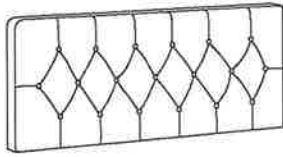
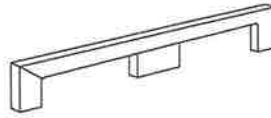


ASSEMBLY INSTRUCTION

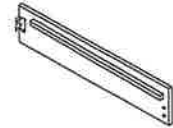
T-2125F/Q



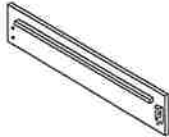
A:x1pc



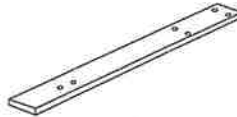
B:x1pc



C:x2pcs



D:x2pcs



E:x2pcs



F:x2pcs



G:x10pcs



H:x2pcs



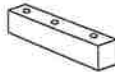
I:x3pcs



J:x3pcs



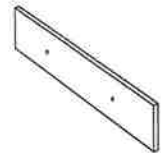
K:x1pc



L:x1pc



M:x1pc



N:x2pcs



O:x4pcs



P:x2pcs



Q:x2pcs



R:x2pcs



S:x8pcs



\varnothing_{16}^{5} **75mm

T:x3pcs















\varnothing_{16}^{5} **30mm

U:x16pcs

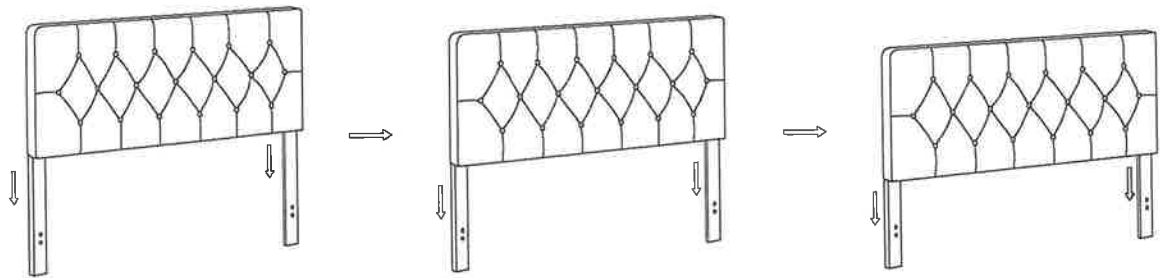
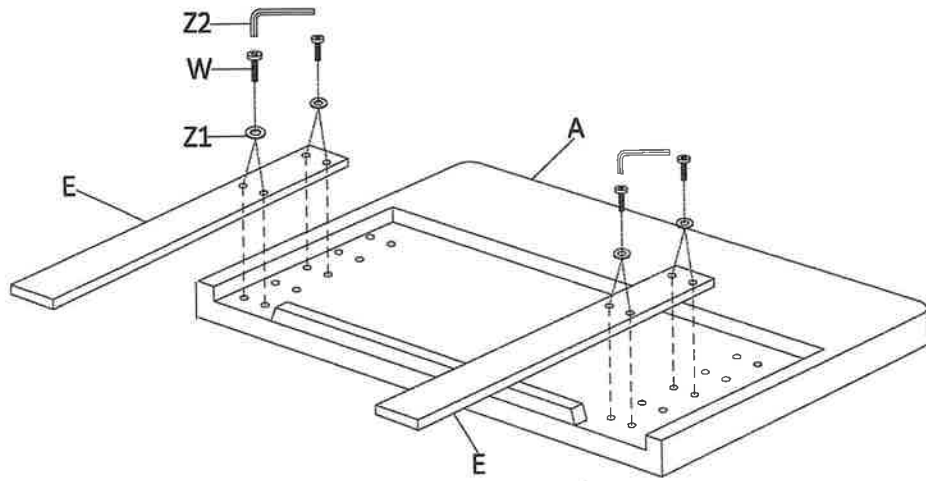


\varnothing_{16}^{5} **40mm

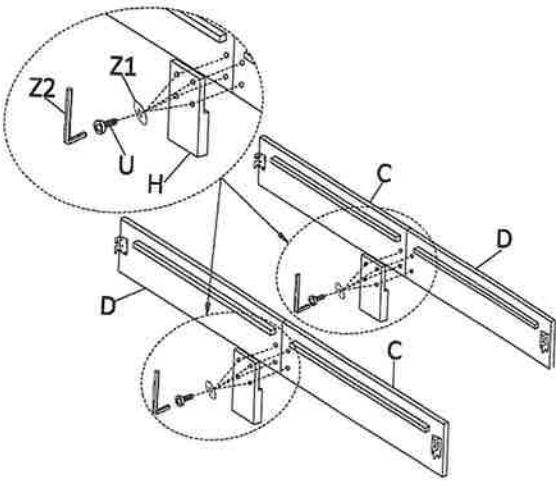
V:x6pcs

 $\varnothing \frac{5}{16}'' \times 60\text{mm}$ W:x8pcs	 $\varnothing \frac{1}{4}'' \times 30\text{mm}$ U2:x5pcs	 20mm X:x32pcs	 30mm Y:x30pcs
 Z:x8pcs	 $\varnothing \frac{5}{16}''$ Z1:x30pcs	 $\varnothing \frac{1}{4}''$ Y3:x5pcs	 M5 Z2:x1pc
 M4 Z4:x1pc	 Z3:x1pc	 15mm Y2:x2pcs	 25mm Y4:x16pcs

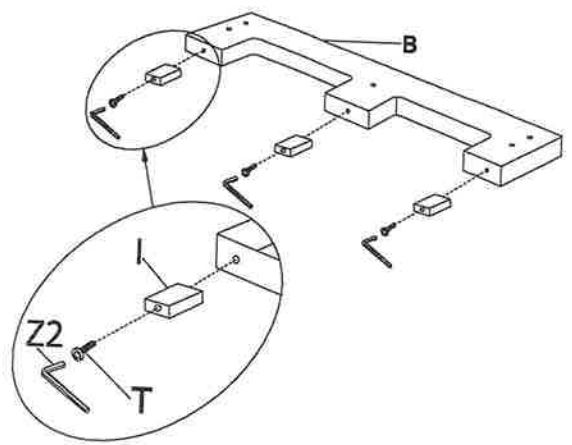
1▷



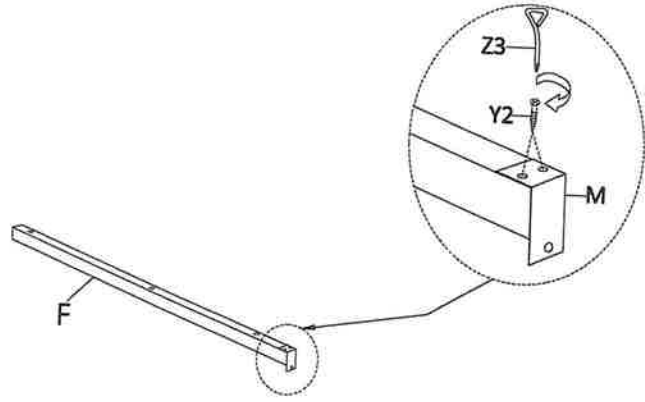
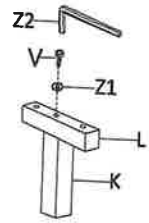
2 ▷



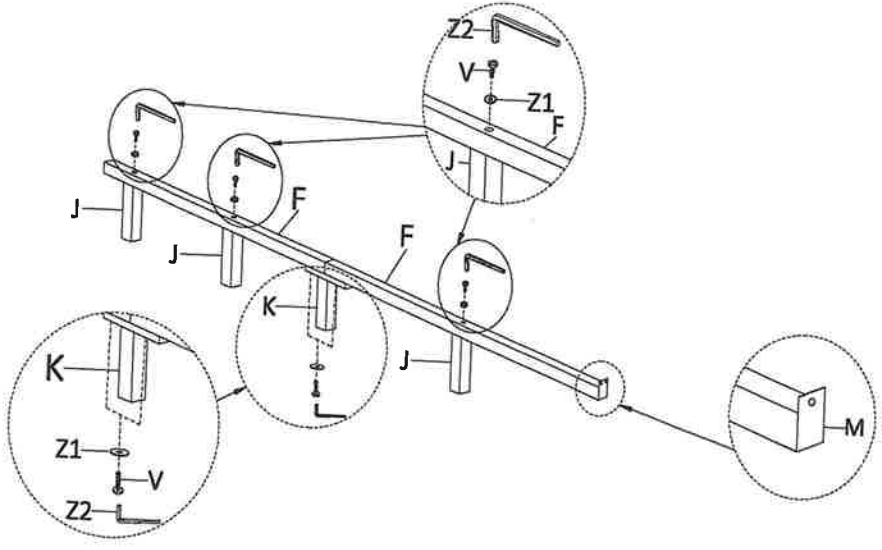
3 ▷



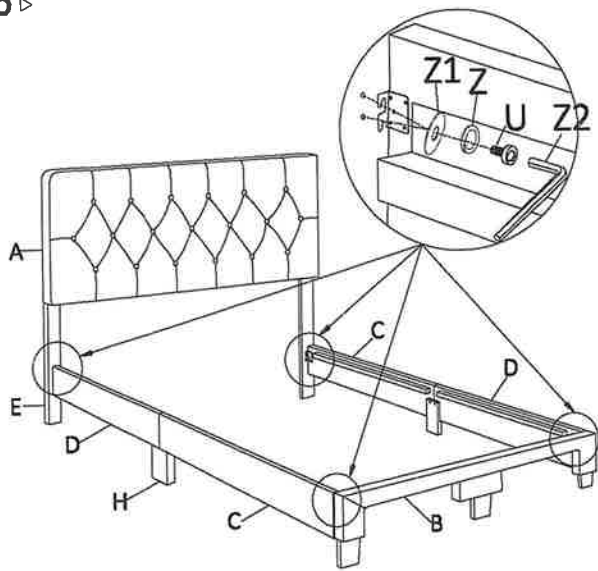
4 ▷



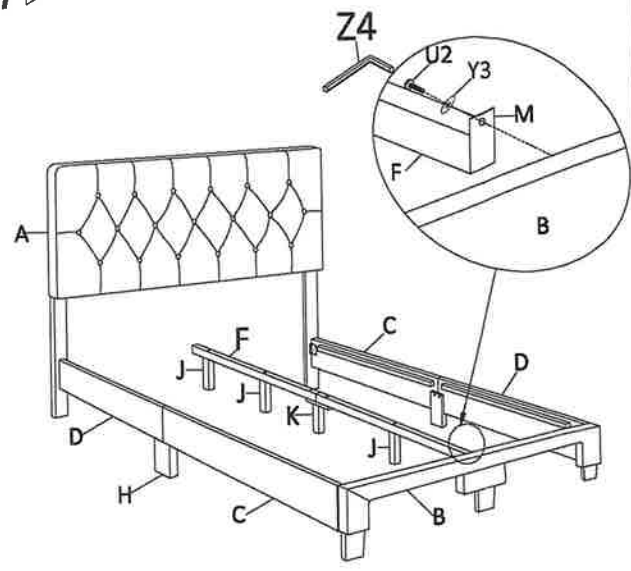
5 ▷



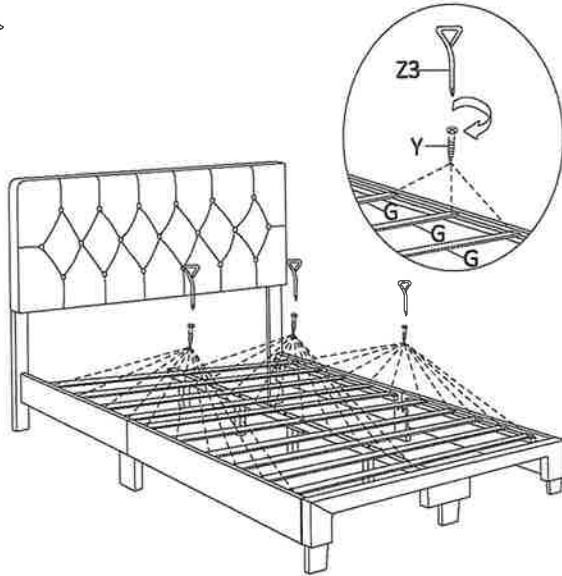
6 ▷



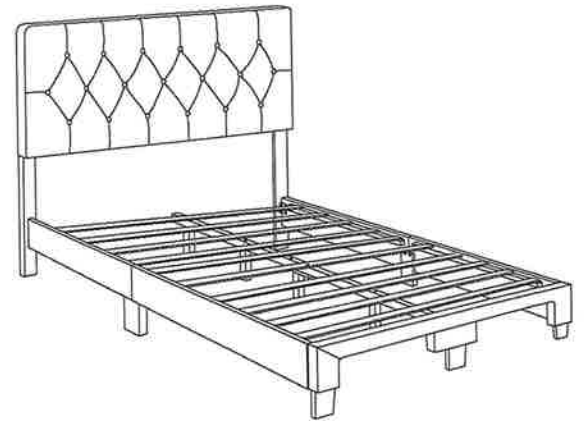
7 ▷



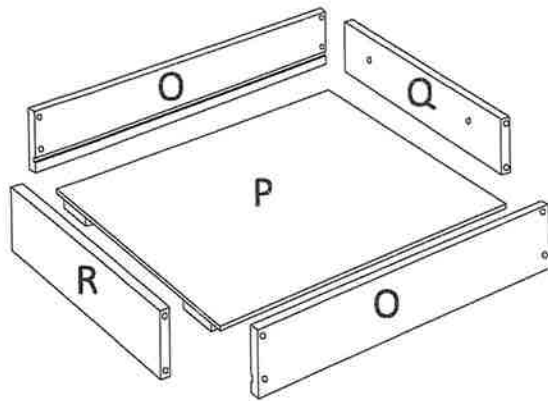
8 ▷



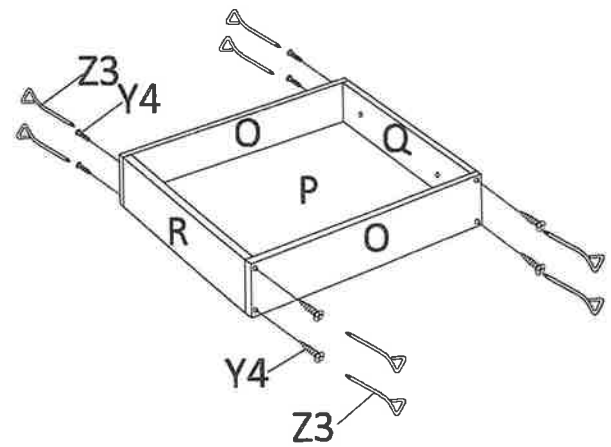
9 ▷



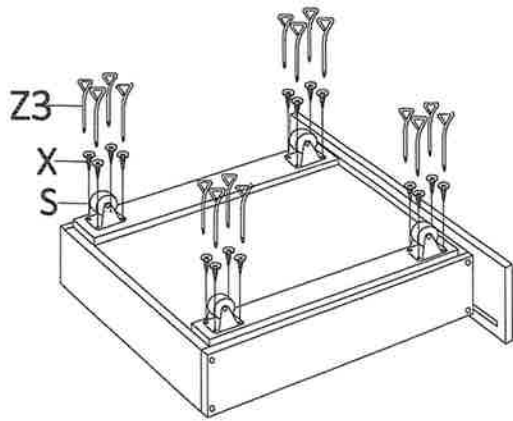
10 ▷



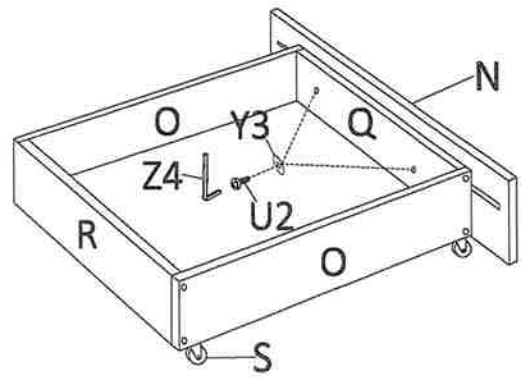
11 ▷



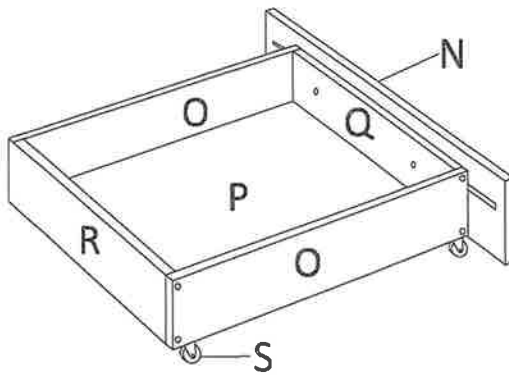
12 ▷



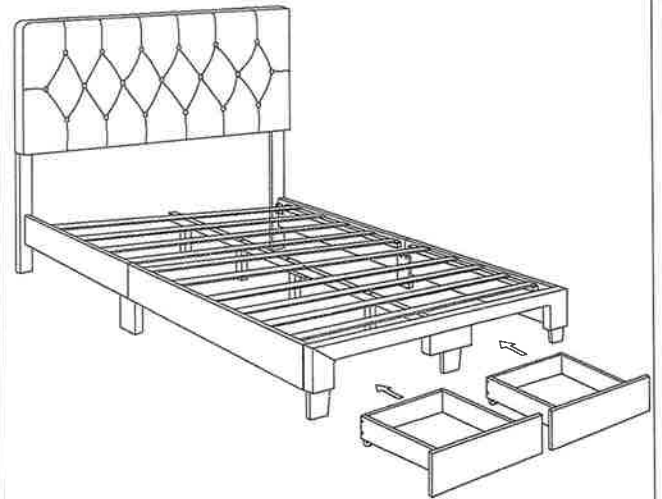
13 ▷



14 ▷



15 ▷



16 ▷

