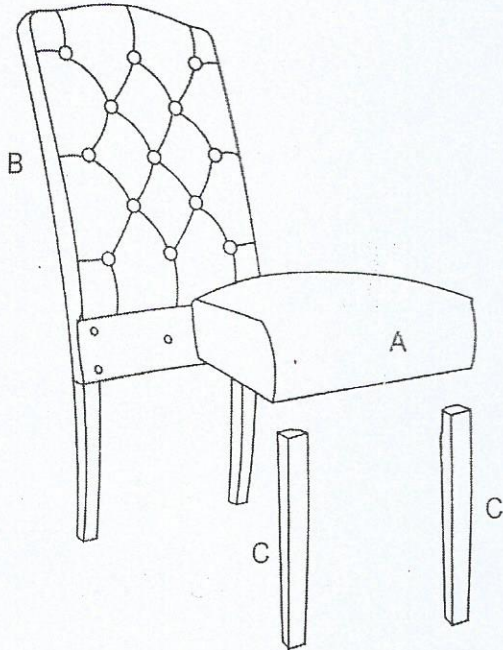
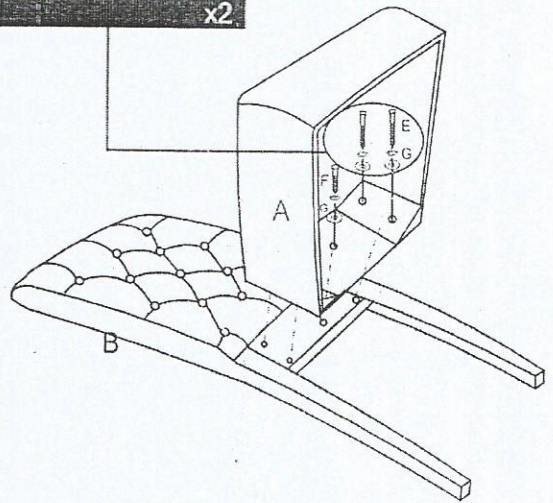
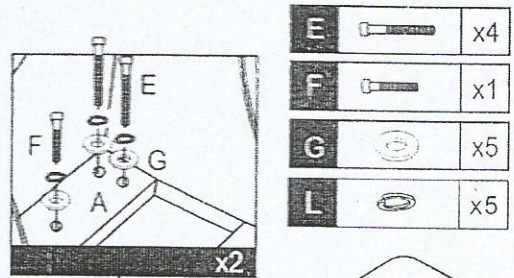


ASSEMBLY INSTRUCTION

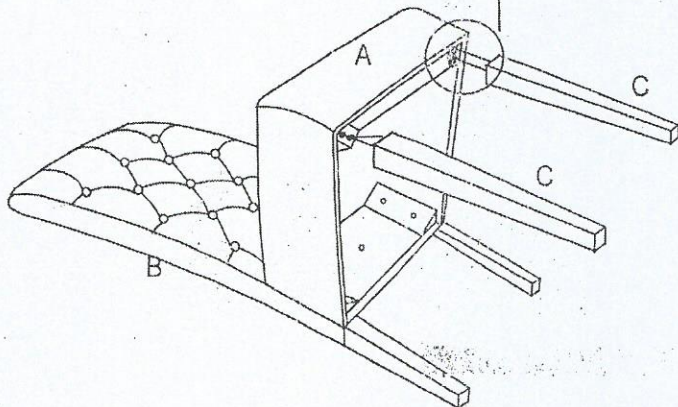
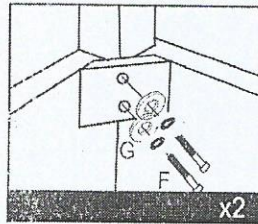


E		x4	H		x1
F		x5	L		x9
G		x9			

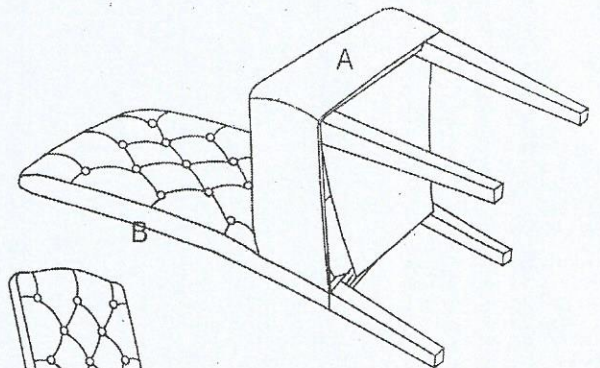


1

F		x4
G		x4
L		x4



2



3

