







ASSEMBLY INSTRUCTIONS

ITEM NO.:
T5140 END TABLE

Thank you for purchasing this quality product. Place all wooden parts on a clean and smooth surface such as a rug or carpet to avoid the parts from being scratched. Be sure to check all packing materials carefully for small parts may have come loose inside the carton during shipment, clarify and count all parts and compare with the parts list below. Do not tighten all screws / bolts until all completely assembled.

Hardware List				
No.	Description	Sketch	Size	Q.ty
A	CSK Screw		M4 x 30mm	8pcs
B	CSK Screw		M4 x 12.5mm	12pcs
C	CSK Screw		M4 x 20mm	4pcs
D	Thrust Handle Screw		M4 x 30mm	2pcs
E	Cam Lock			16pcs
F	Cam Bolt			16 pcs

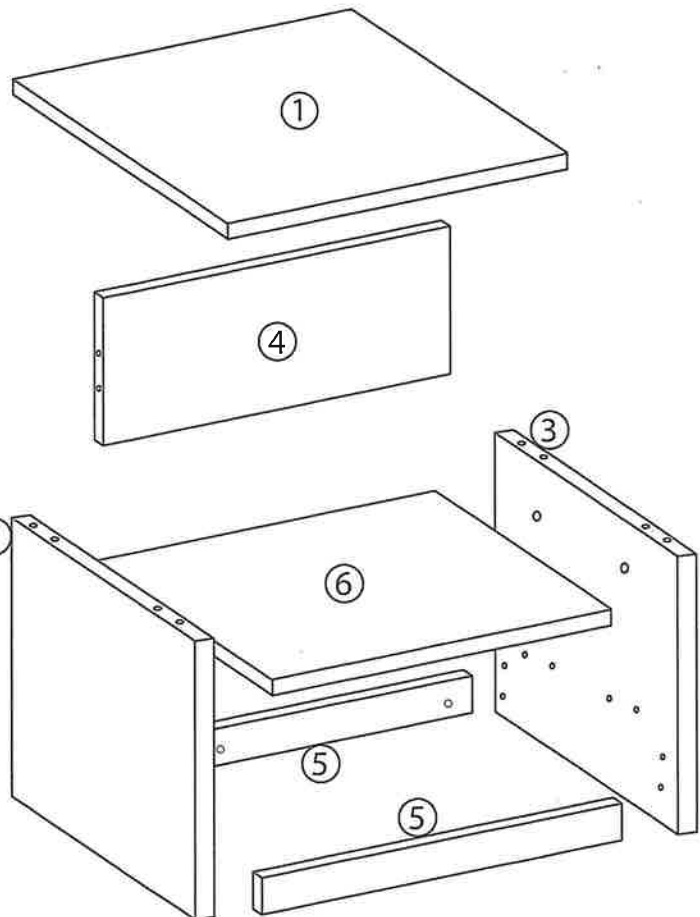
Hardware List				
No.	Description	Sketch	Size	Q.ty
G	Wood Dowel		M8 x 30mm	12pcs
H	Runner		L300mm	1SET
I	Handle			1pc

NOTE : YOU WILL ALSO NEED A SCREWDRIVER (NOT PROVIDED)

These parts are cumbersome and heavy. Therefore, two people are recommended in order to prevent personal injury and insure the parts are not damaged during the assembly.

Important Notes

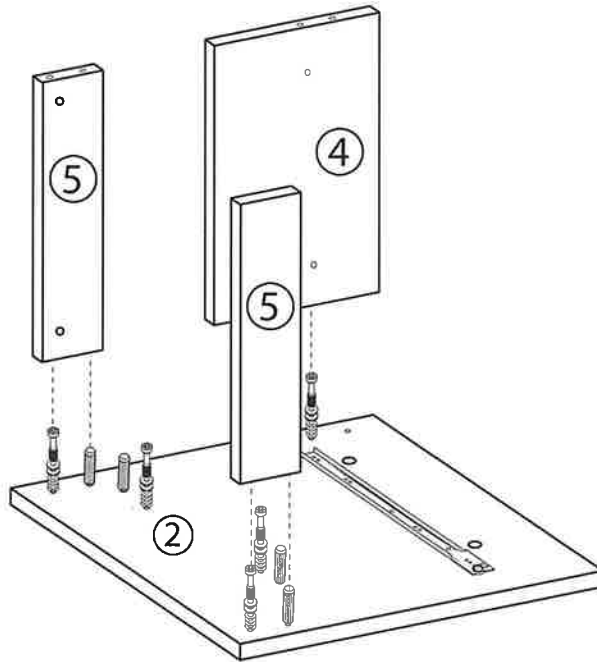
- *Keep all hardware parts out of reach of children!
- *Tighten screws periodically! With the use of this product bolts and screws may become loose over time!
- *Don't attempt to modify parts!



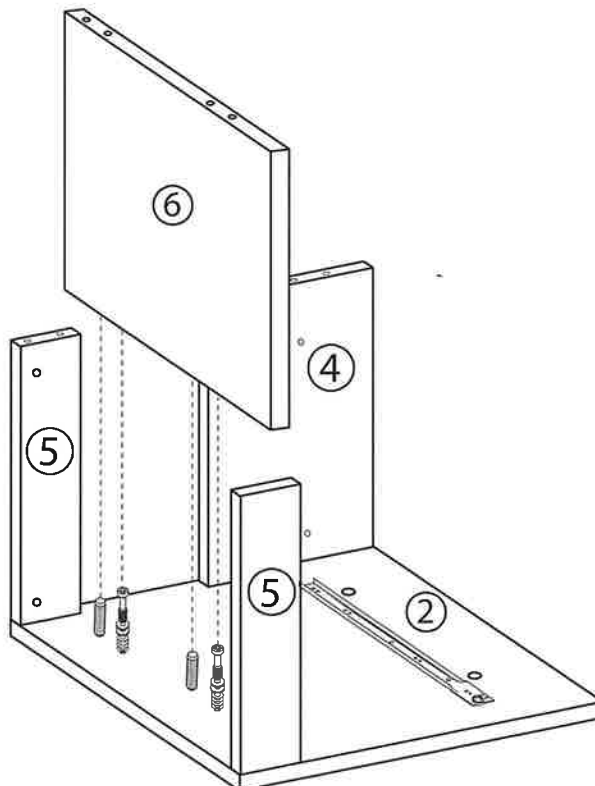
ASSEMBLY INSTRUCTIONS

ITEM NO.:
T5140 END TABLE

STEP 3:



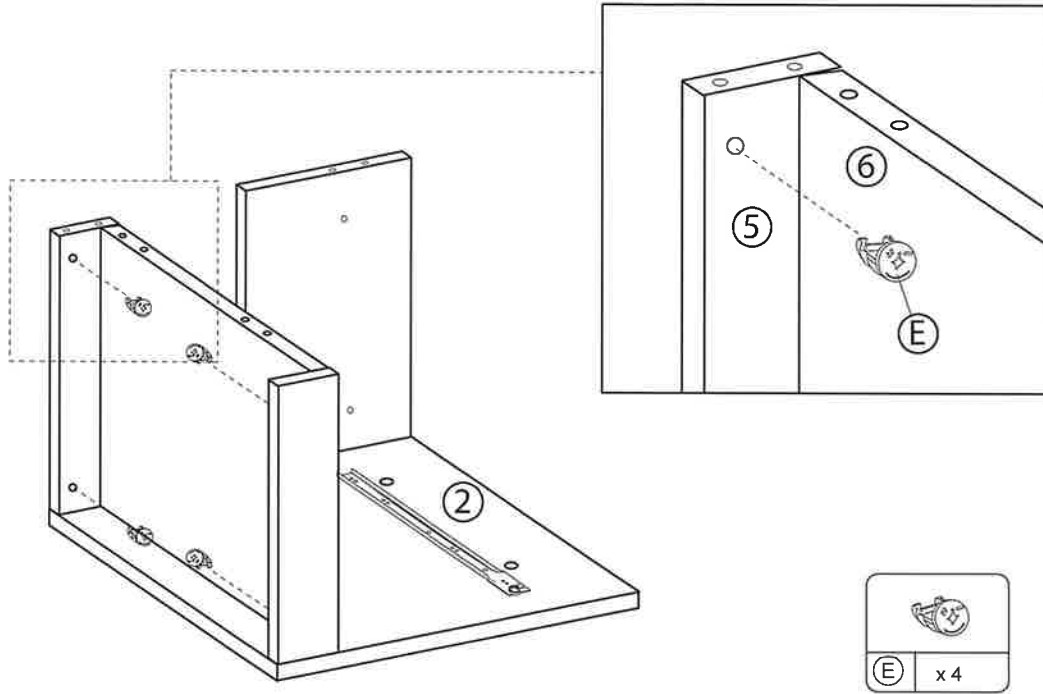
STEP 4:



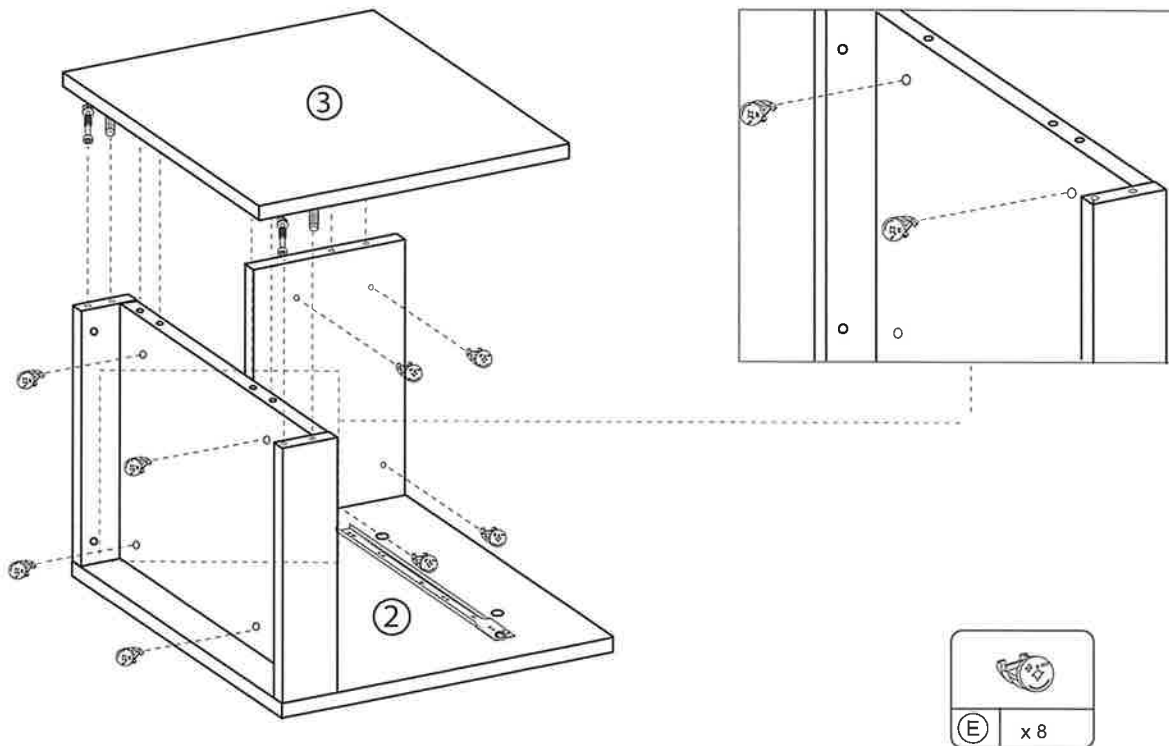
ASSEMBLY INSTRUCTIONS

ITEM NO.:
T5140 END TABLE

STEP 5:



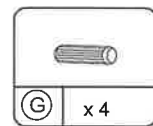
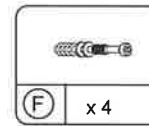
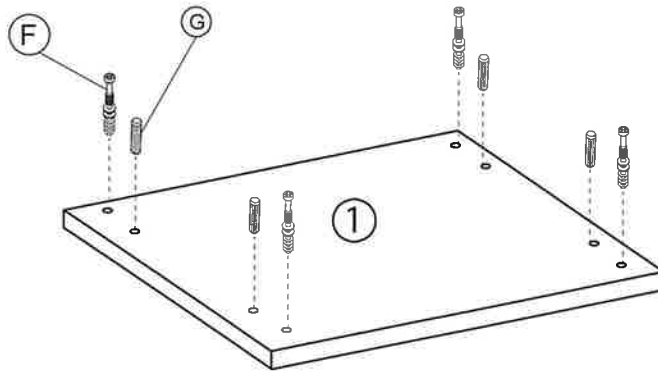
STEP 6:



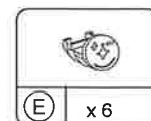
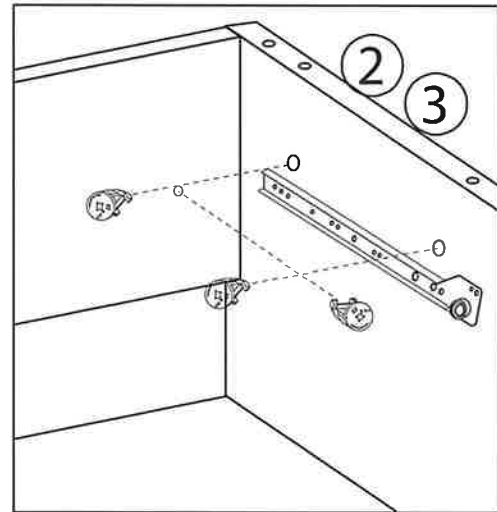
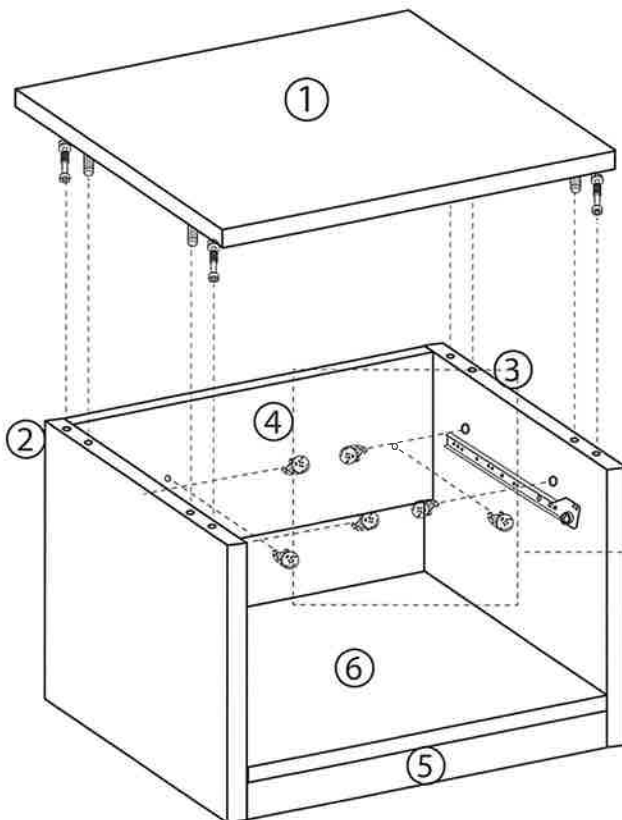
ASSEMBLY INSTRUCTIONS

ITEM NO.:
T5140 END TABLE

STEP 7:



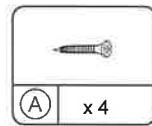
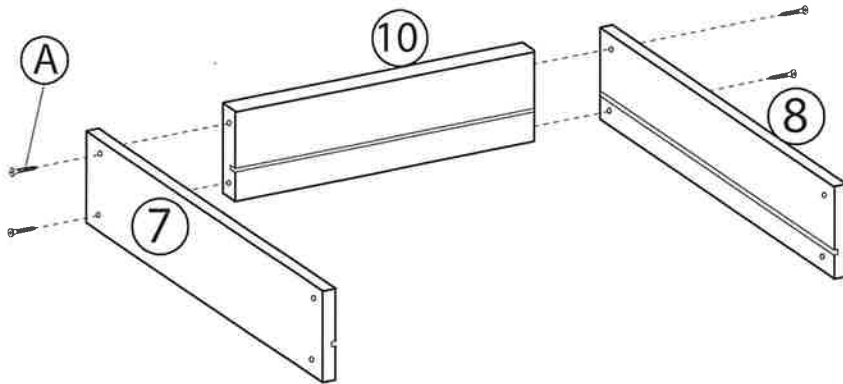
STEP 8:



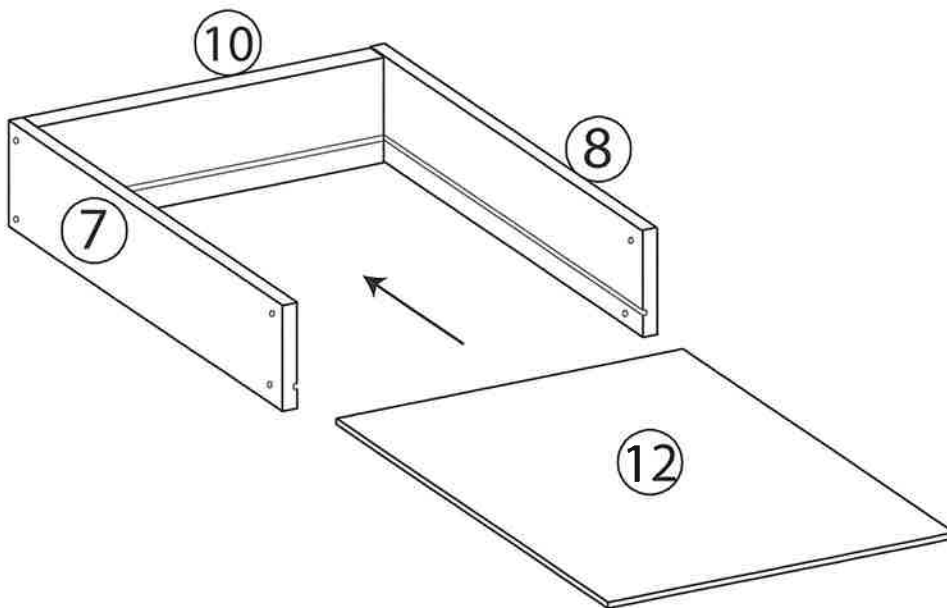
ASSEMBLY INSTRUCTIONS

ITEM NO.:
T5140 END TABLE

STEP 9:



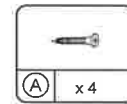
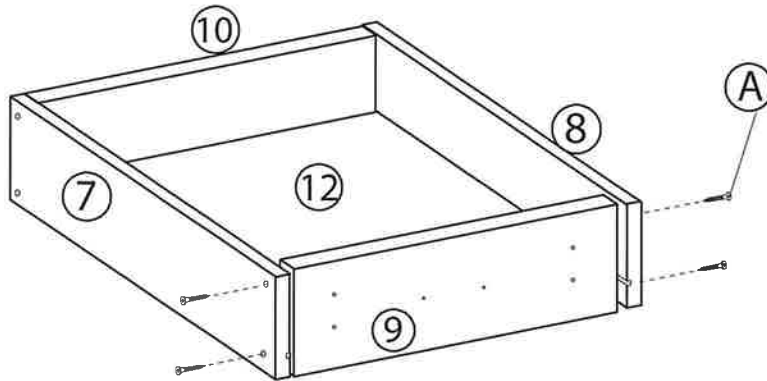
STEP 10:



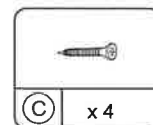
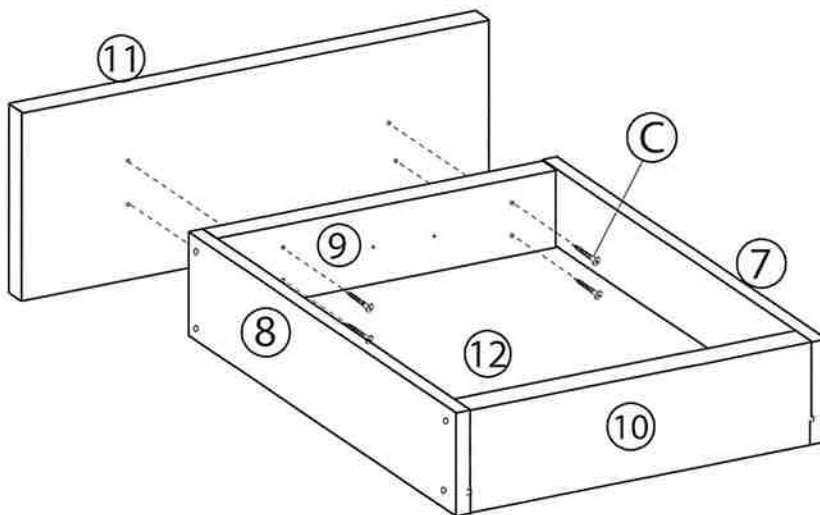
ASSEMBLY INSTRUCTIONS

ITEM NO.:
T5140 END TABLE

STEP 11:



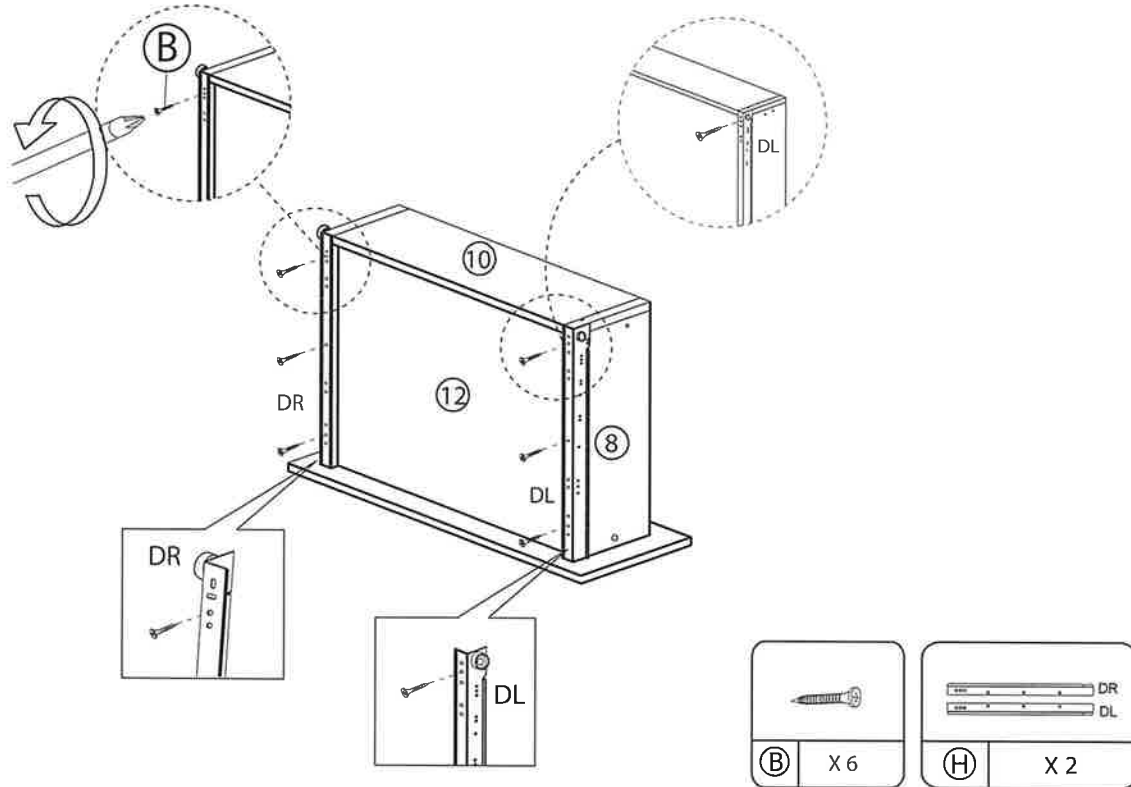
STEP 12:



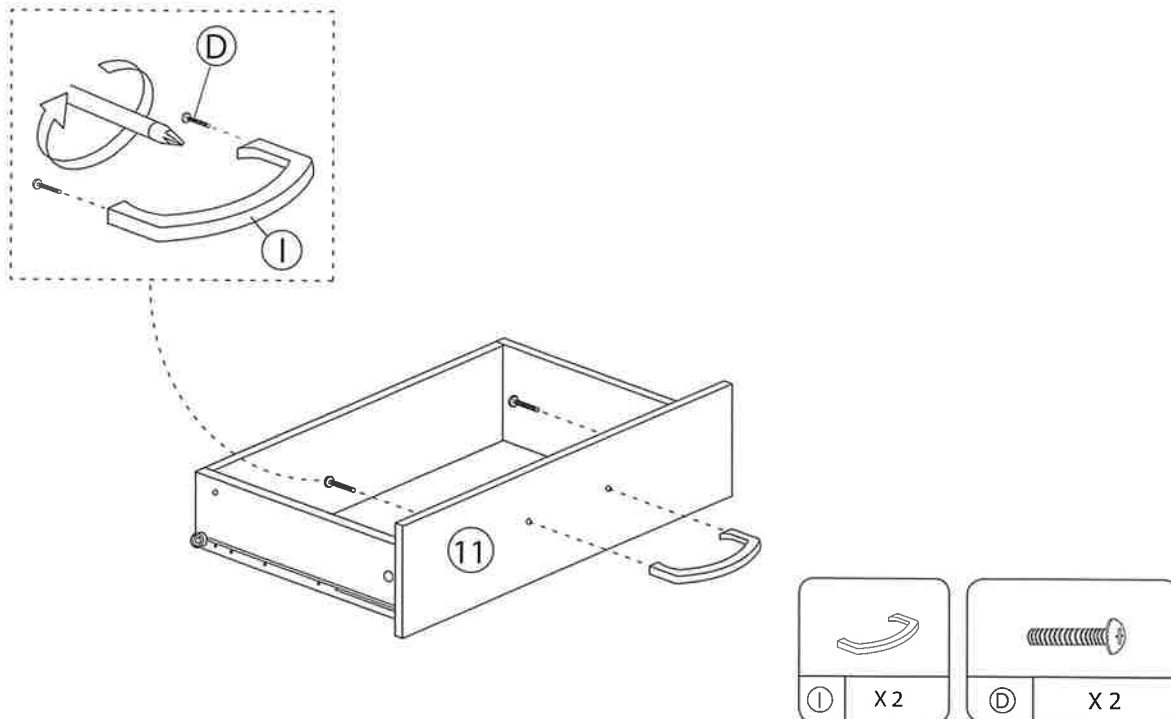
ASSEMBLY INSTRUCTIONS

ITEM NO.:
T5140 END TABLE

STEP 13:



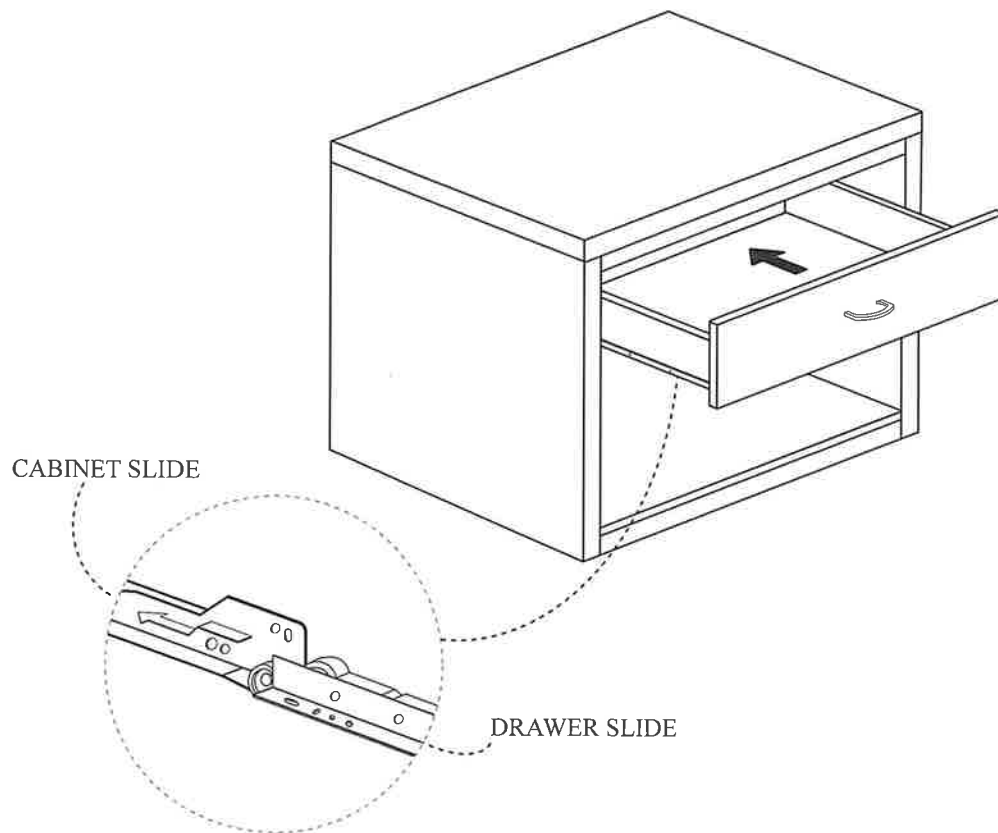
STEP 14:



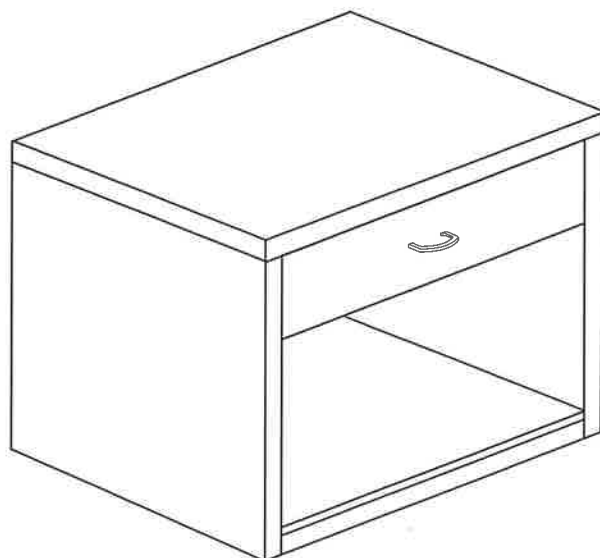
ASSEMBLY INSTRUCTIONS

ITEM NO.:
T5140 END TABLE

STEP 15:



STEP 16:



COMPLETED ASSEMBLED