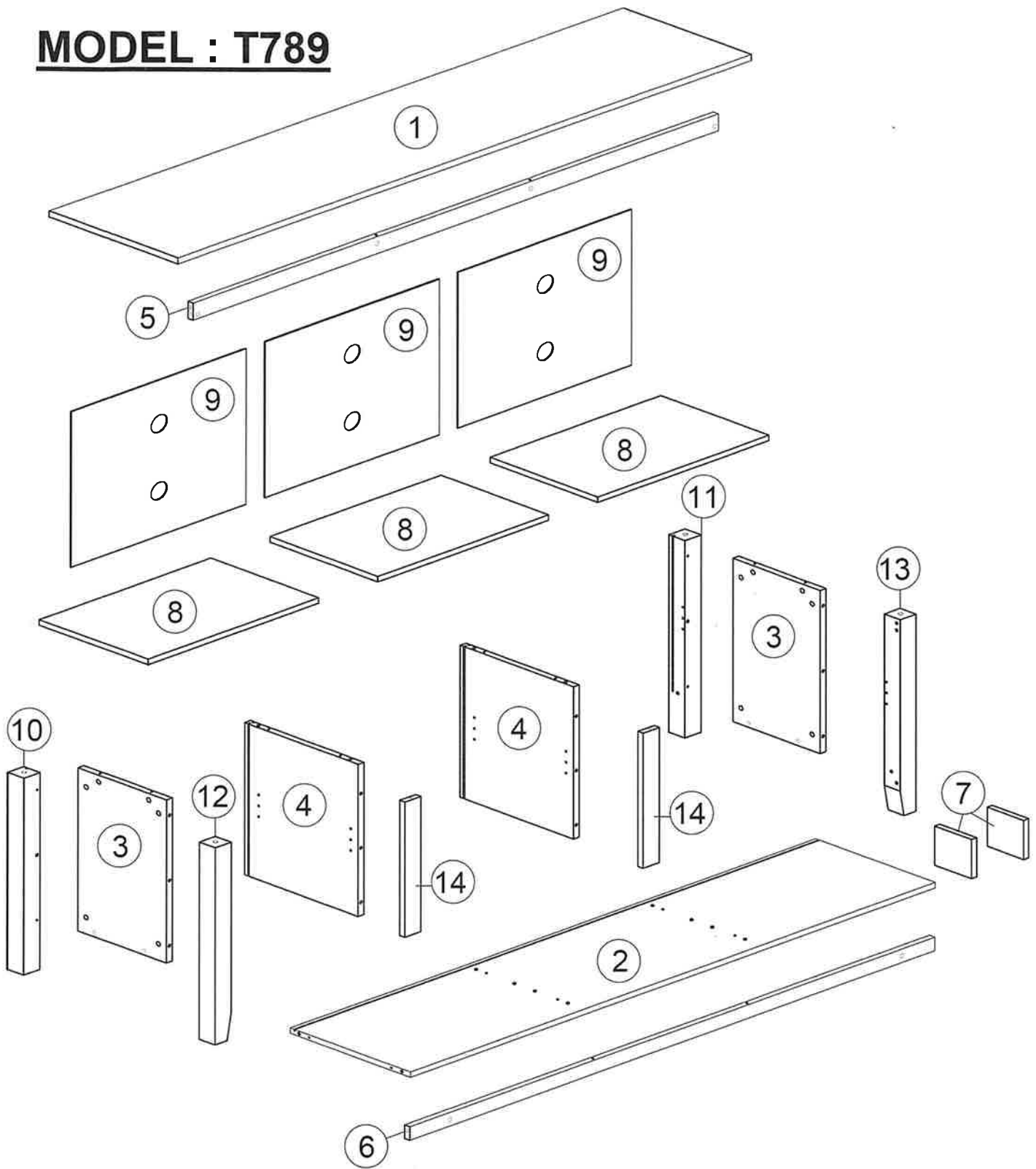

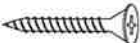




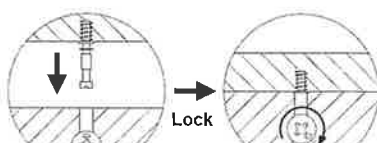
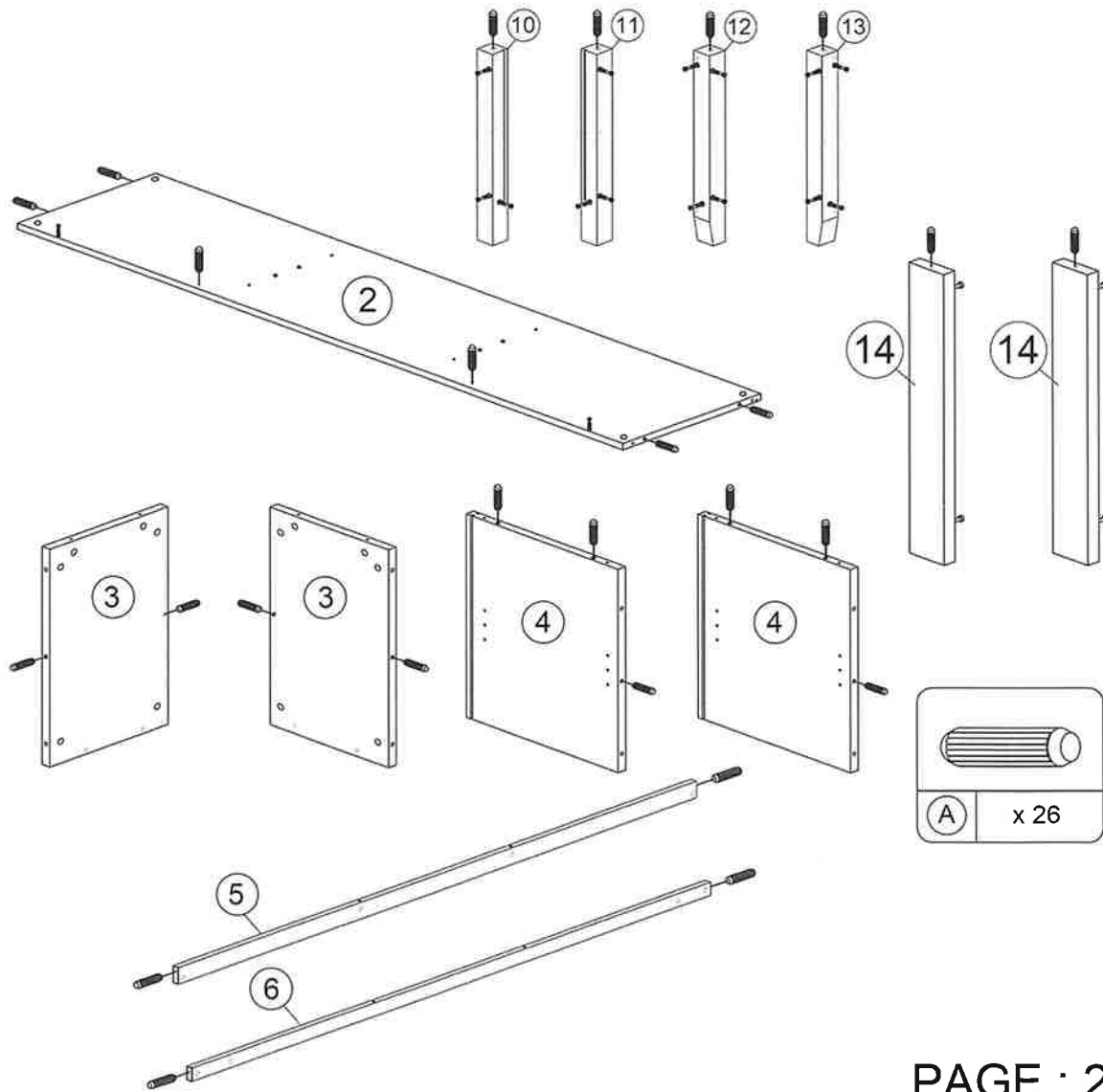
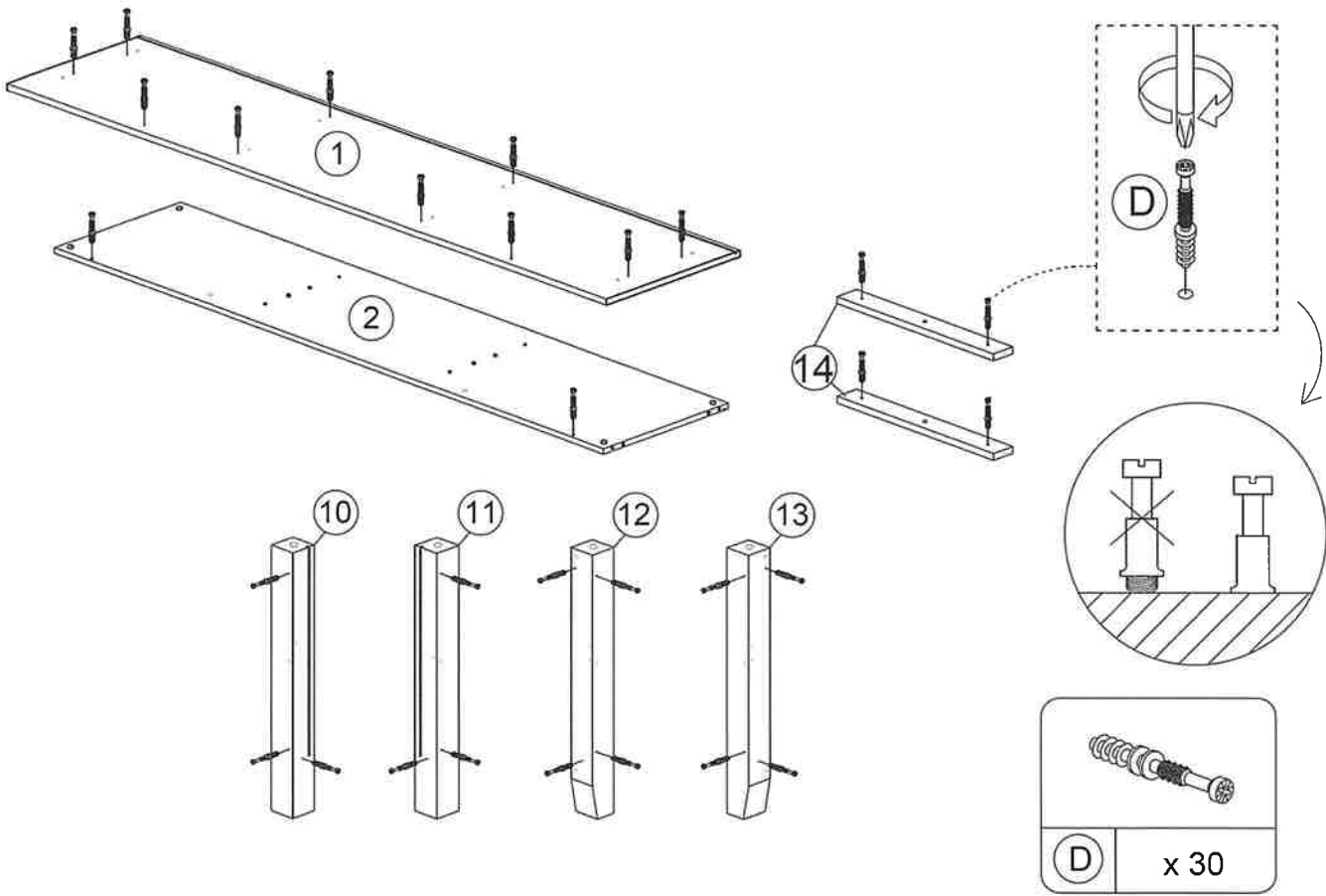


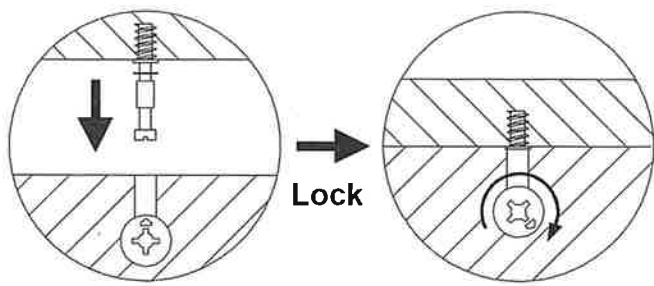
MODEL : T789



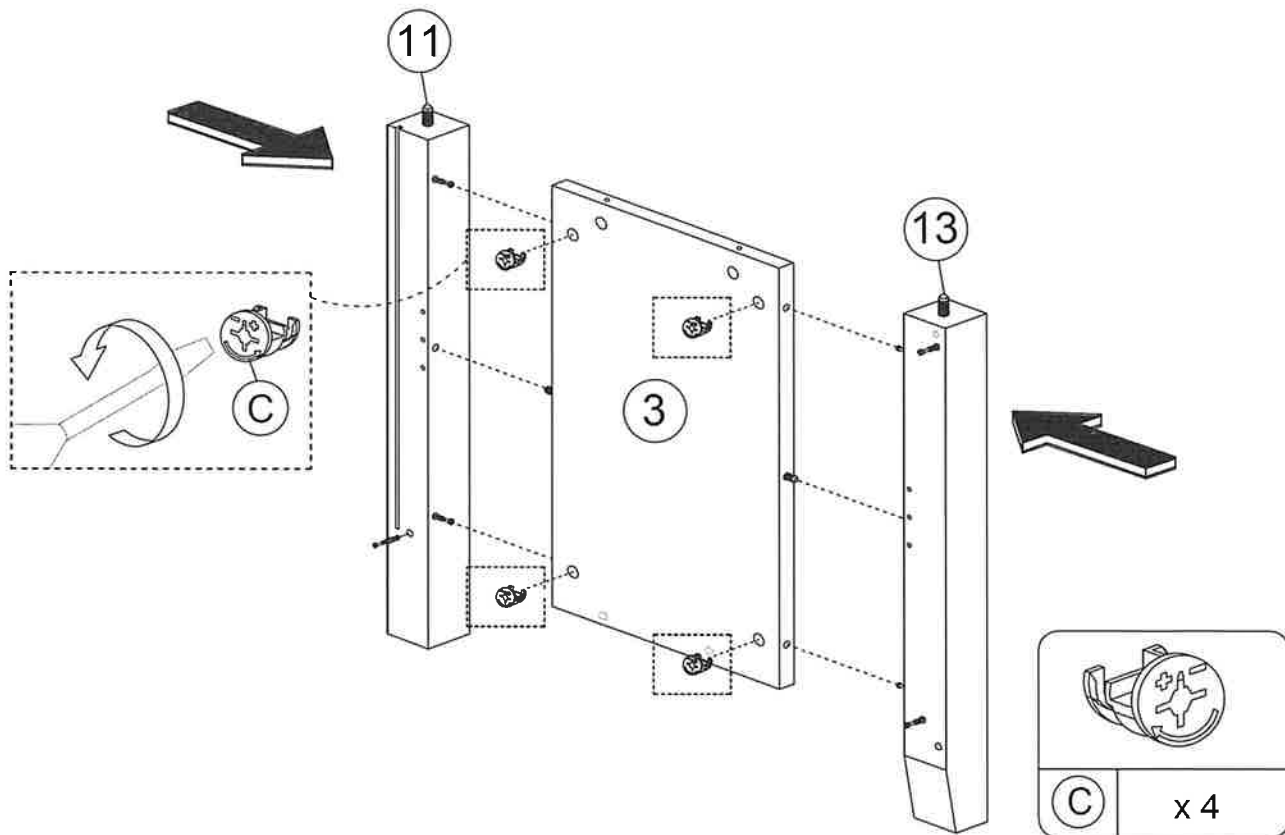
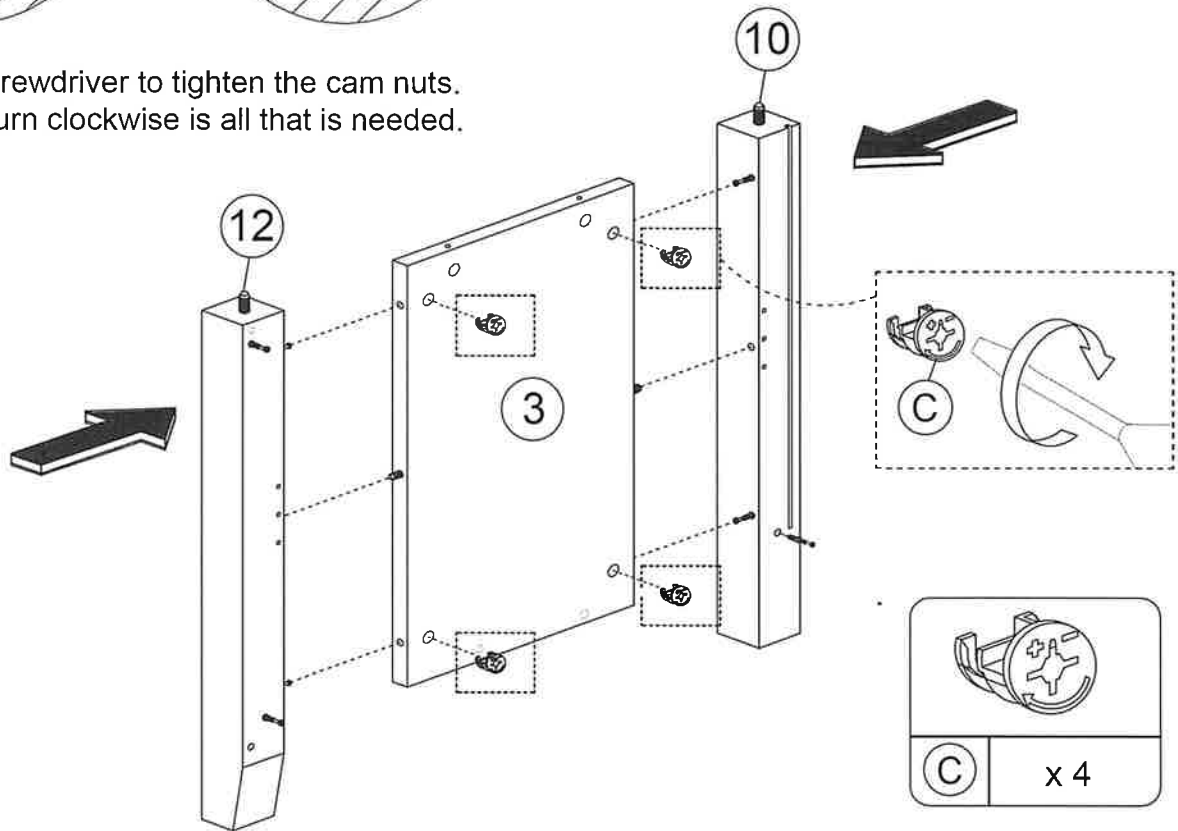
 (A) Wood Dowel x26 M8x30mm (Spare x2)	 (B) Screw x12 M4x-38mm (Spare x1)	 (C) Cam Lock x30 D:15mm x T:10mm (Spare x2)	 (D) Cam Bolt x30 M6x40mm (Spare x2)
 (E) Cam Hole Cover x30 D:15mm (Spare x2)	 (F) Shelf Holder x12 D:5mm x 16mm (Spare x1)	 <p>Use a Screwdriver to tighten the cam nuts. A quarter turn clockwise is all that is needed.</p>	

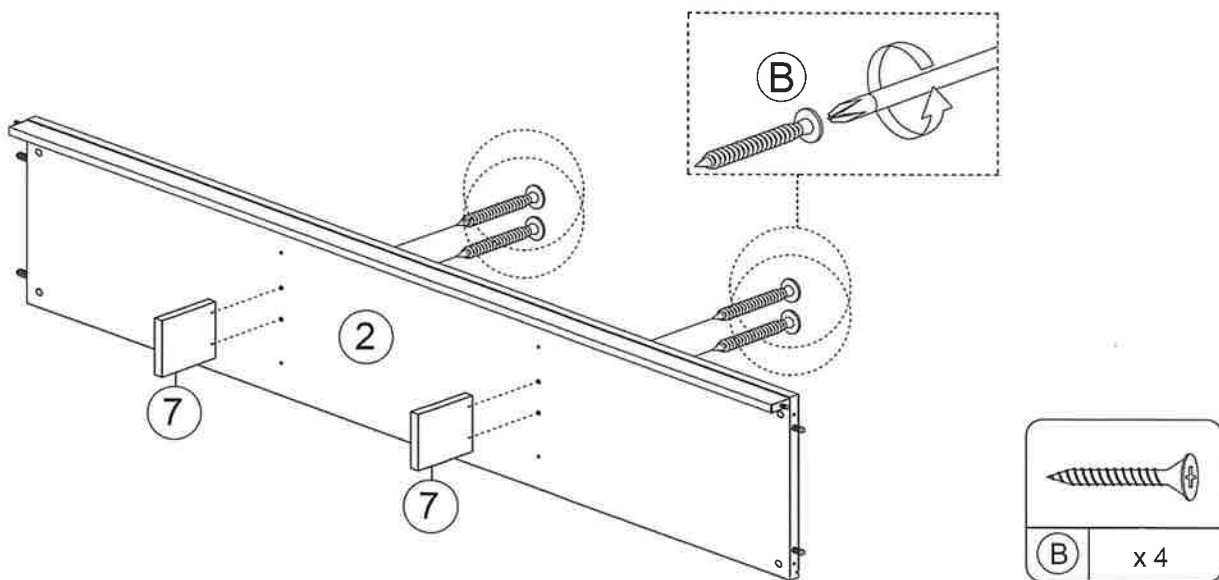
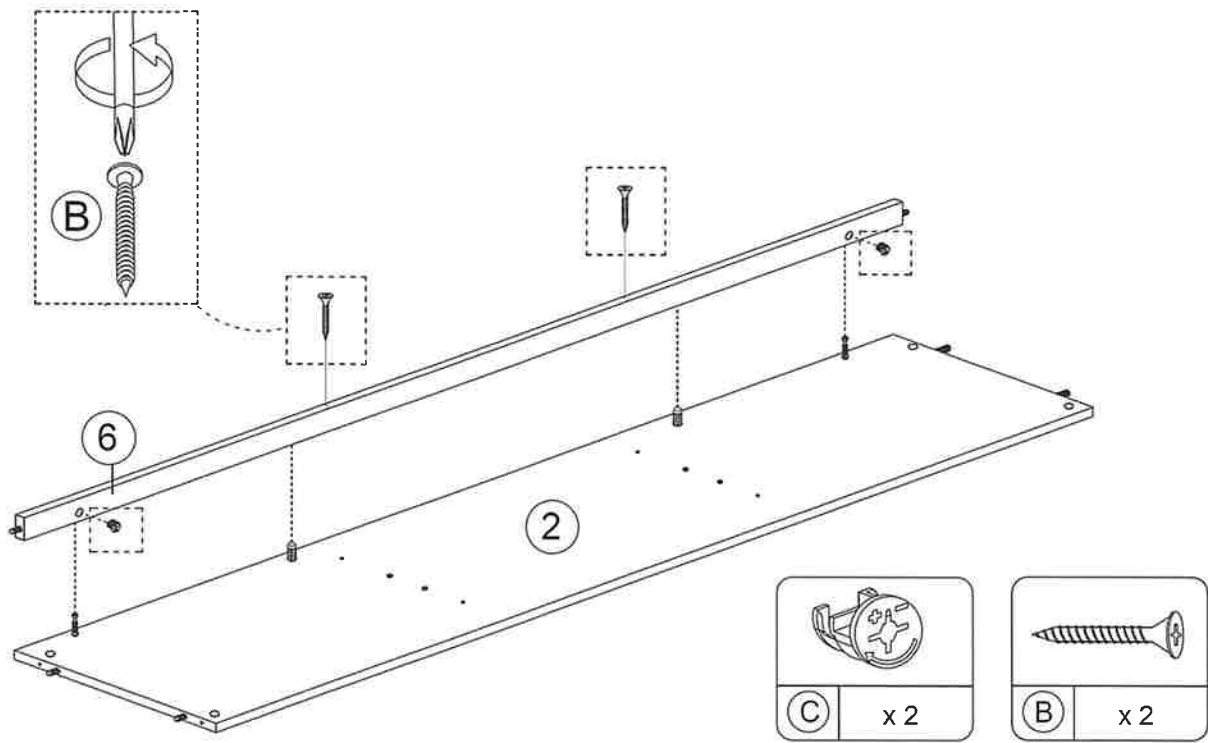
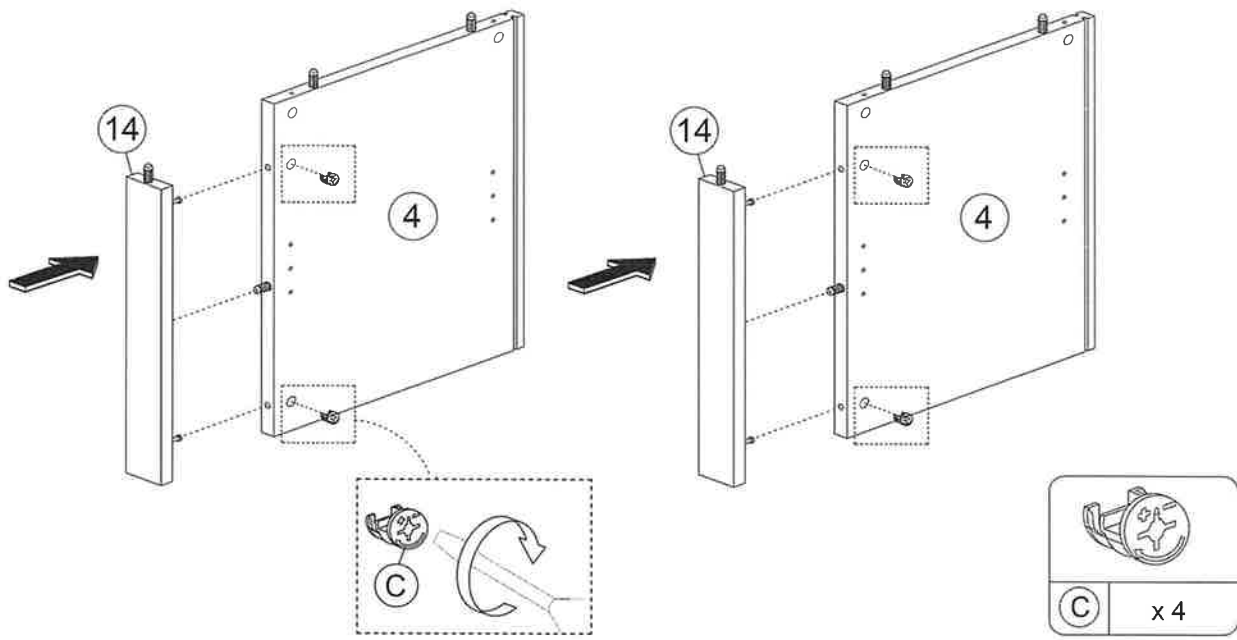

 NOT Supplied

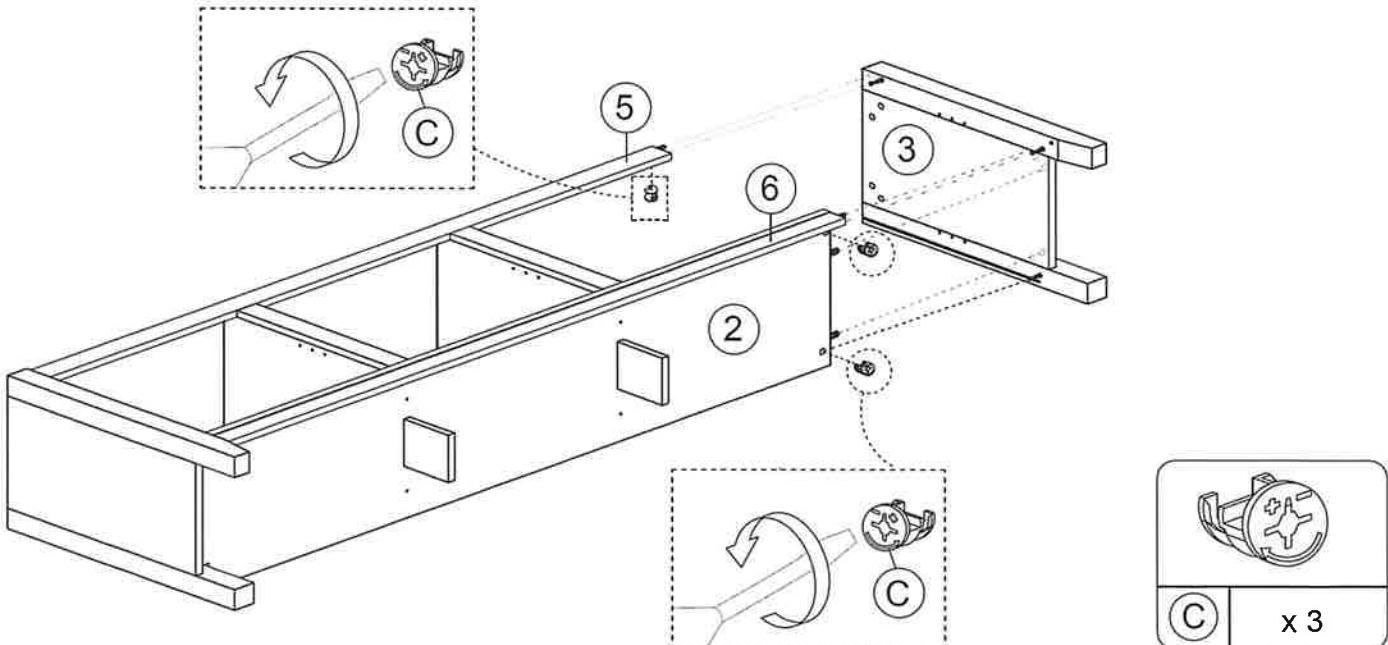
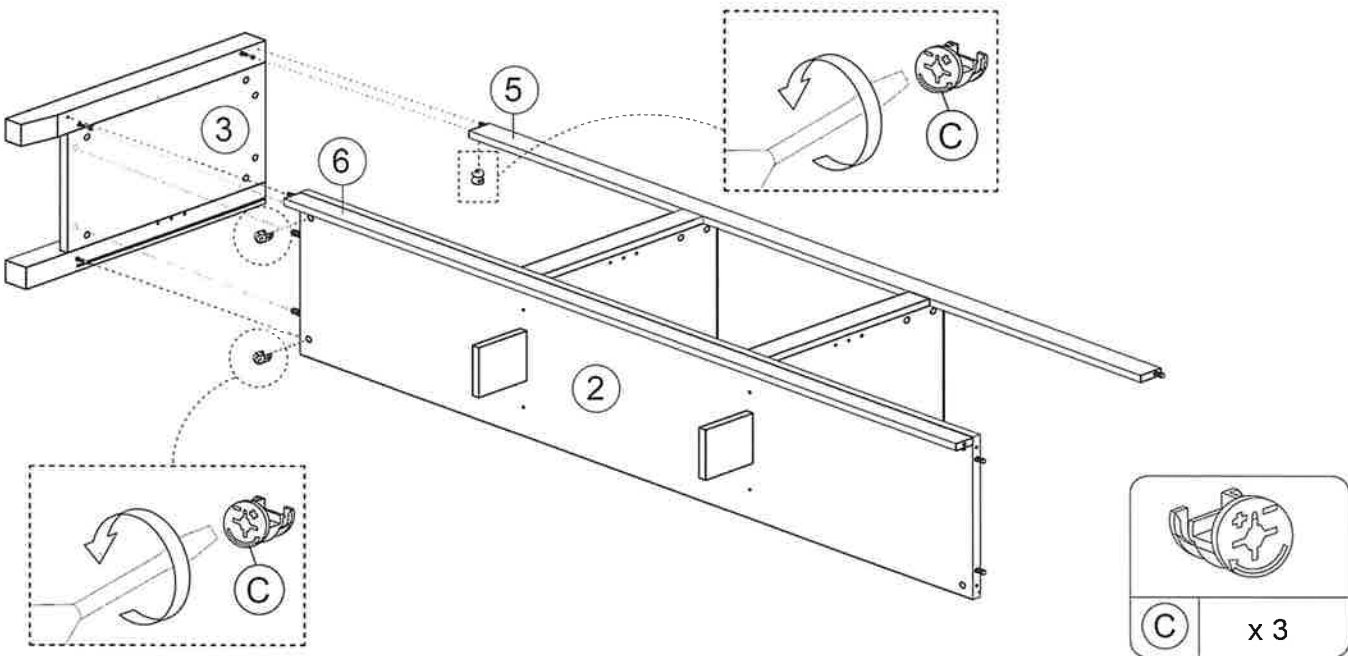
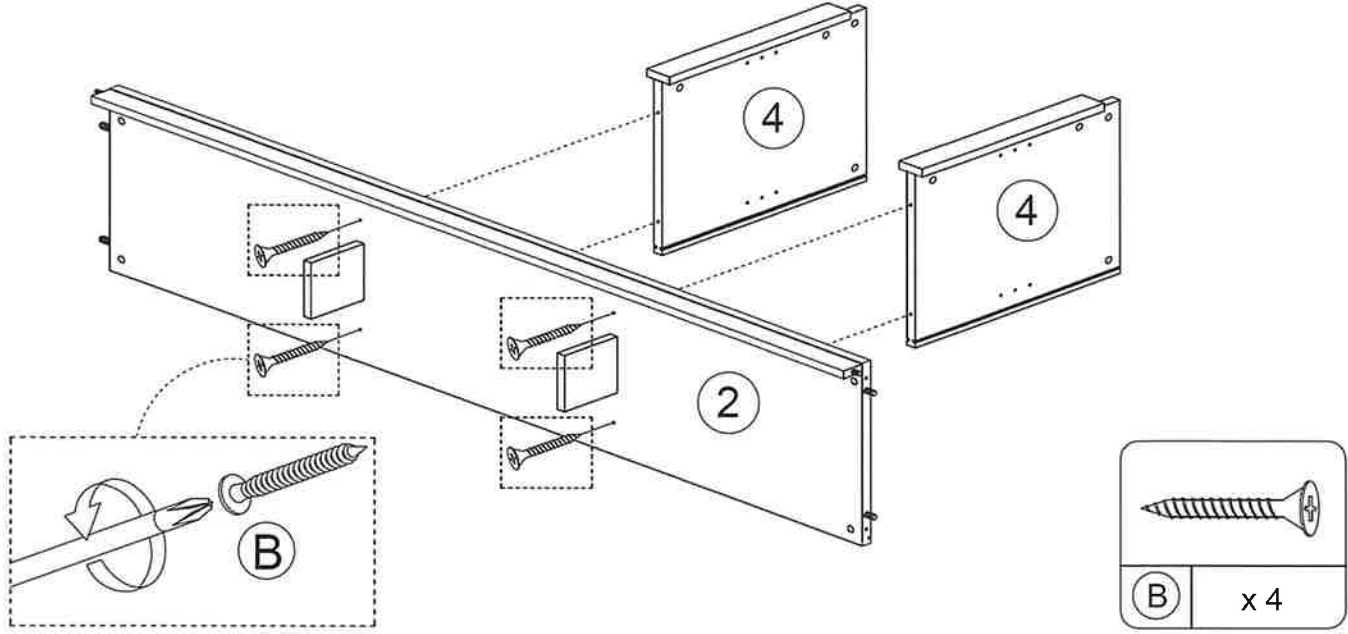


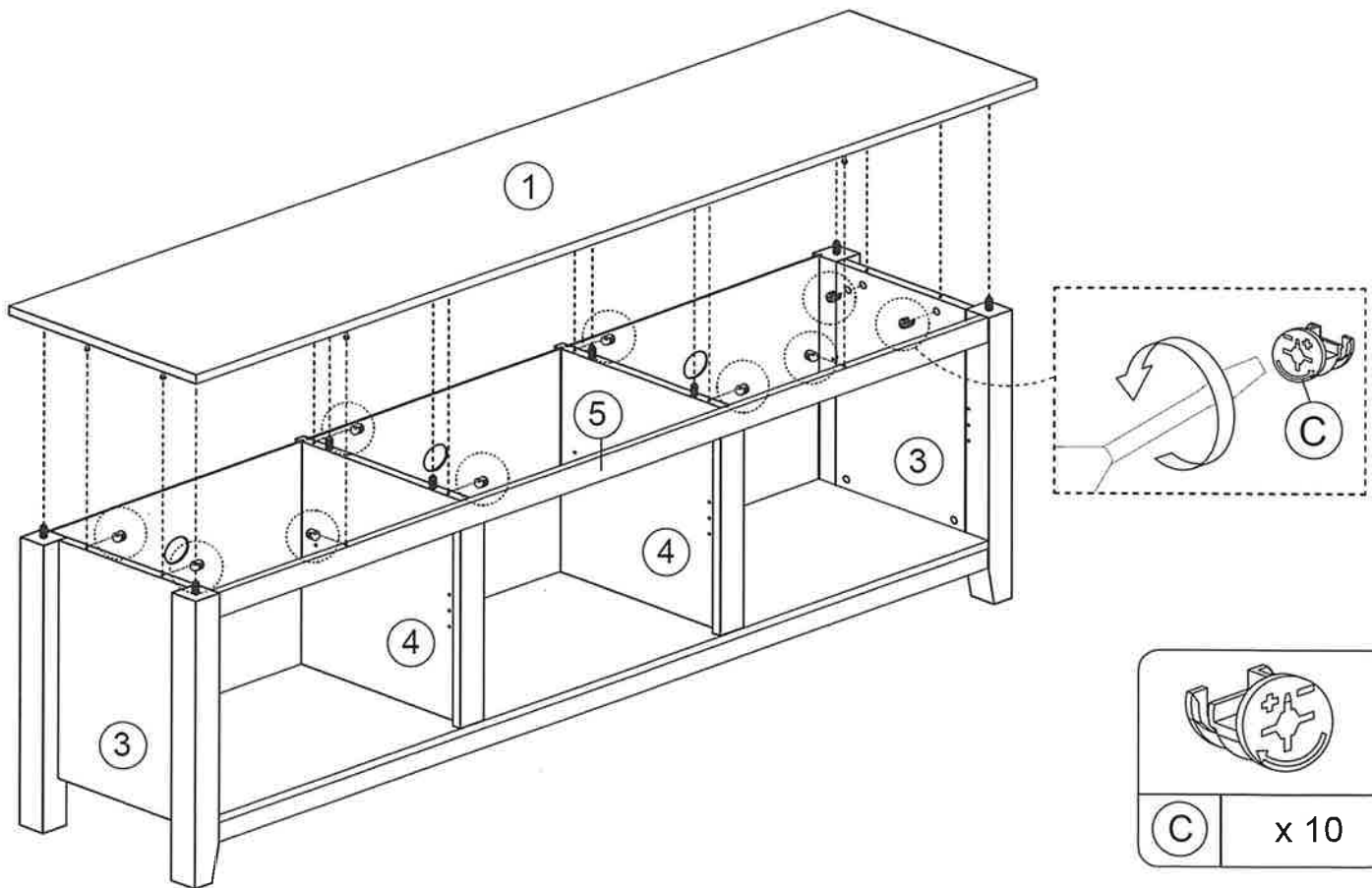
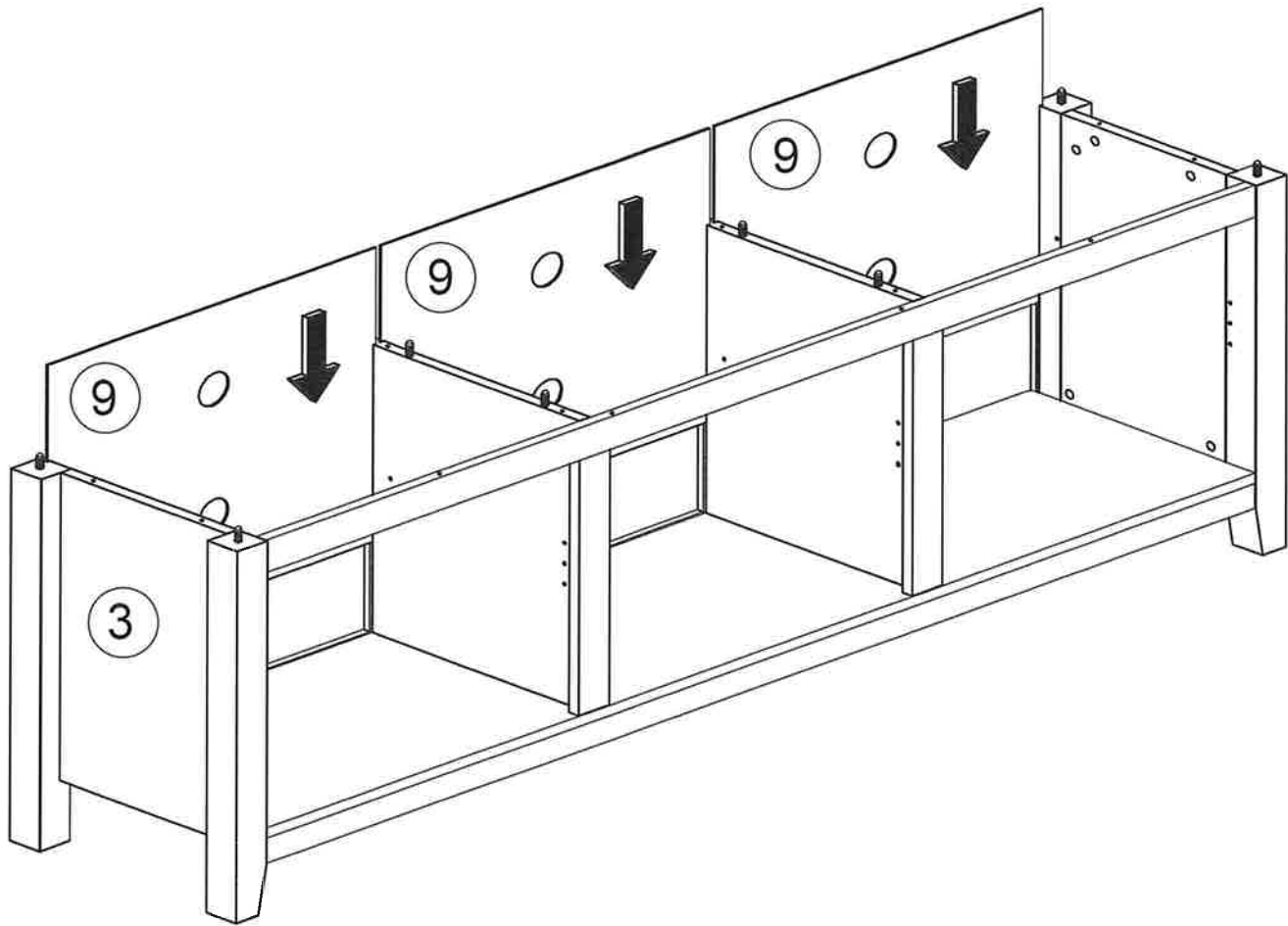


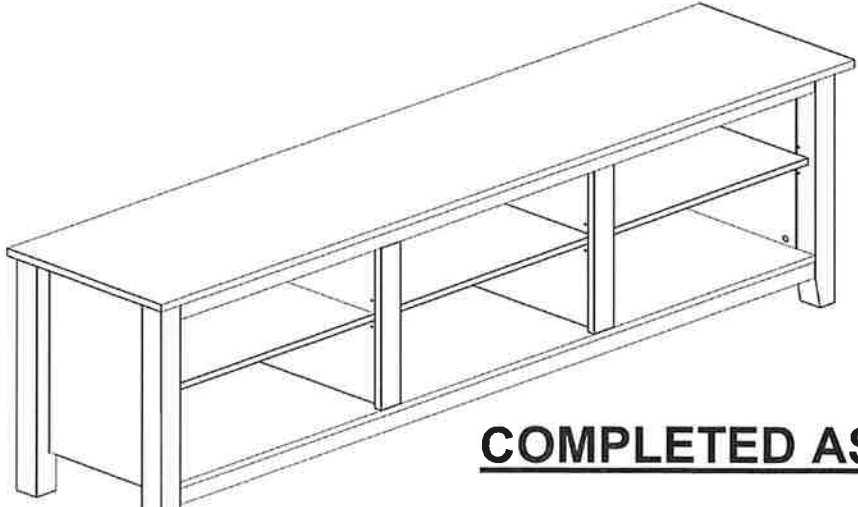
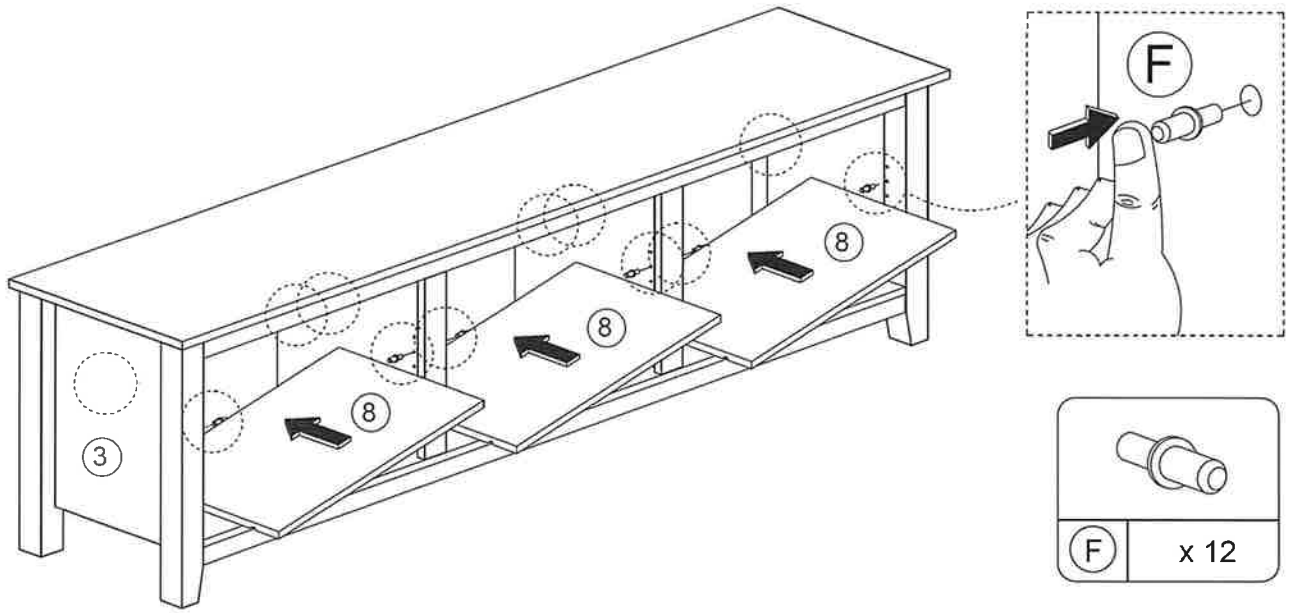
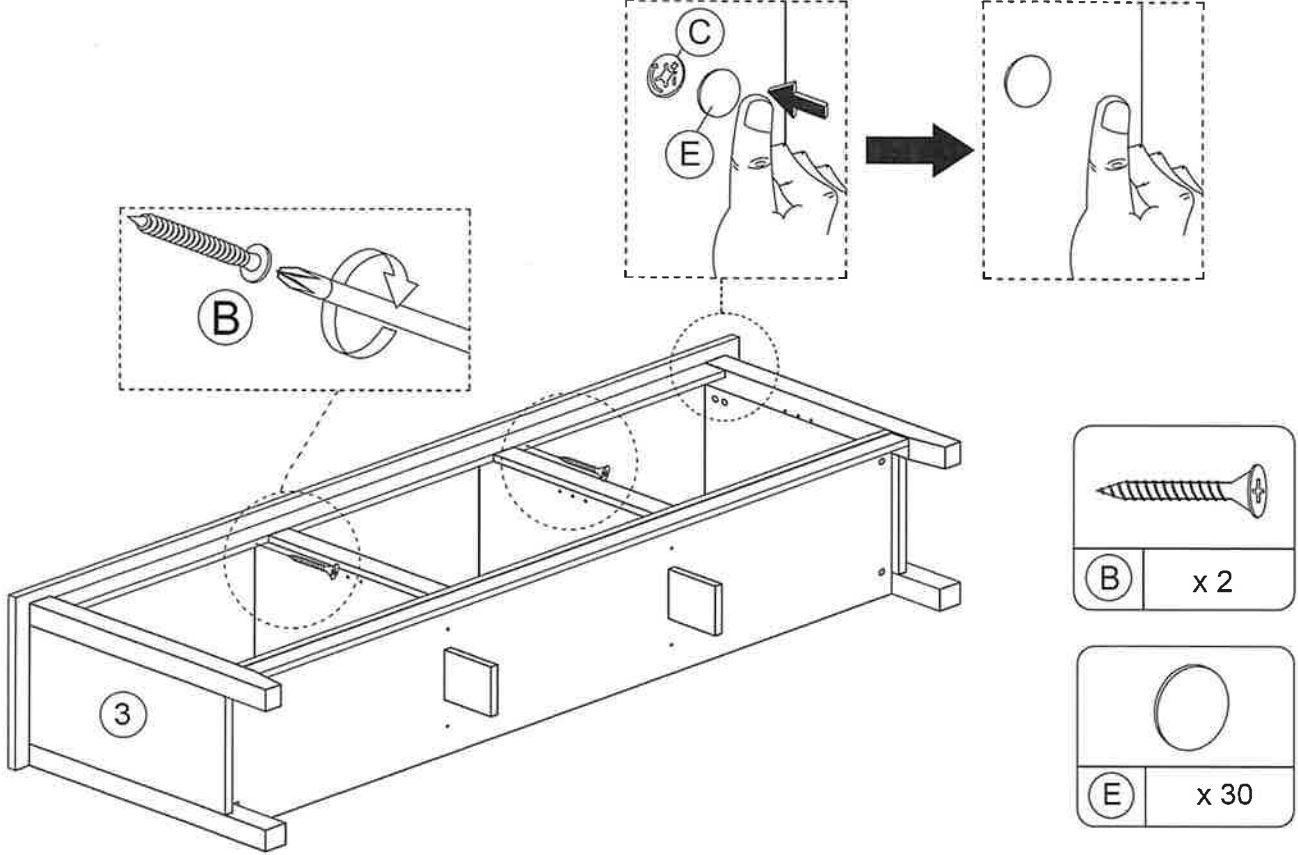
Use a Screwdriver to tighten the cam nuts.
A quarter turn clockwise is all that is needed.











COMPLETED ASSEMBLY